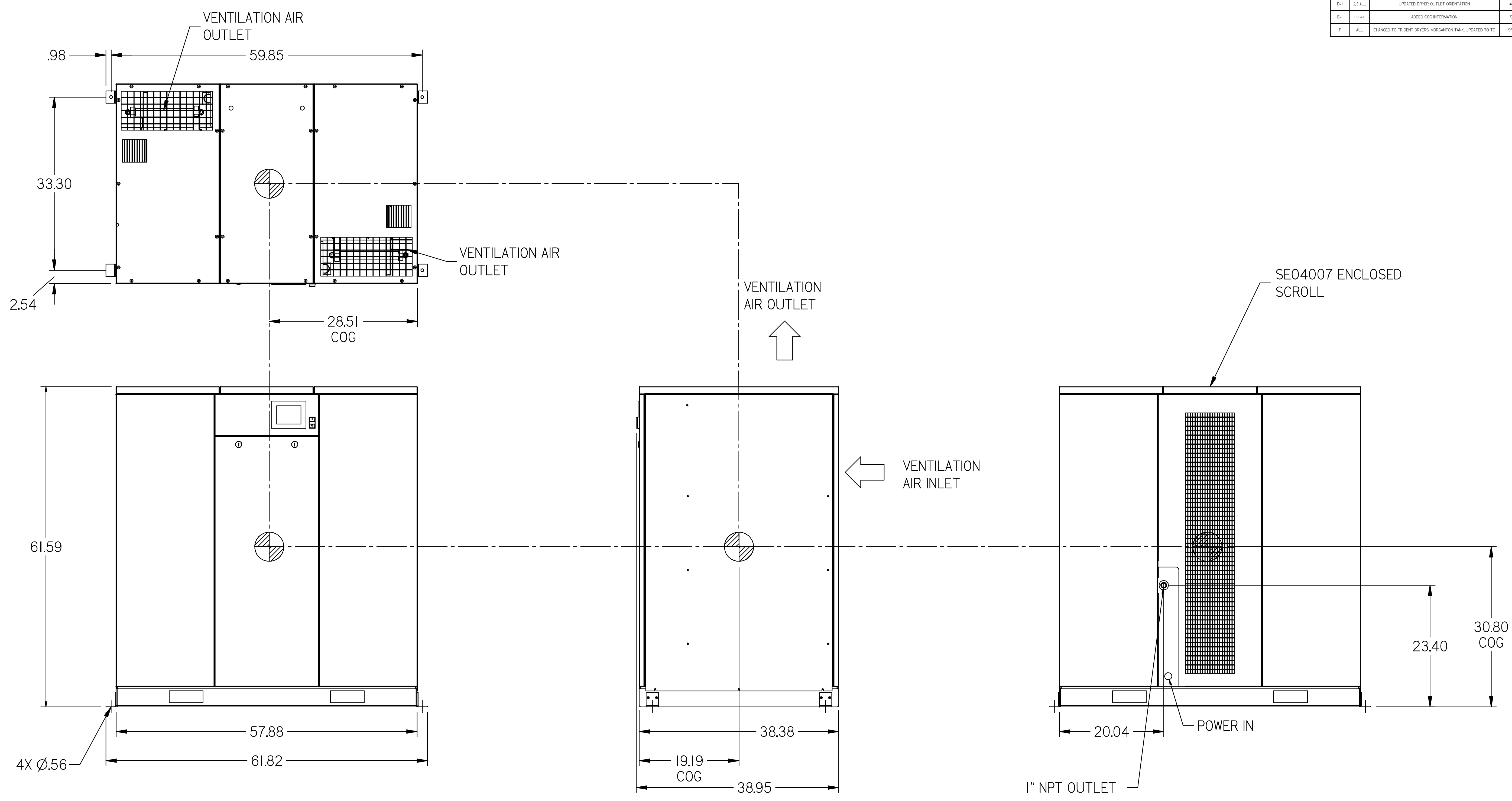


REV	ZONE	REVISION	DATE	ECN	NAME	CHKD
A-1	ALL	SUBMITTAL DRAWINGS	5/23/13	PRE0002	RK	AEK
B-1	ALL	RELEASE FOR PRODUCTION	04/23/13	PRE0002	RK	AEK
C-1	Z3 ALL	CONVERT TO POWEREX DRYER	2/20/14	PRE0004	RK	AEK
D-1	Z3 ALL	UPDATED DRYER OUTLET ORIENTATION	4/1/15	PRE0100	AEK	GES
E-1	123 ALL	ADDED COG INFORMATION	1/26/18	PRE0227	GES	DMS
F	ALL	CHANGED TO TRIDENT DRYERS, MORGANTON TANK, UPDATED TO TC	9/10/19	PRE0310 1004	RMH	GES



UNIT WEIGHT: 2000 LBS  
 CENTER OF GRAVITY LOCATIONS:  
 X(FRONT) 19.19"      Y(RIGHT) 28.51"      Z(HEIGHT) 30.81"

⊙ DENOTES CENTER OF GRAVITY

NOTE:  
 II) SHEET 1 - SE04007 LAYOUT  
 SHEET 2 - AIR TREATMENT LAYOUT  
 SHEET 3 - PLAN VIEW  
 SHEET 4 - FLOW SCHEMATIC

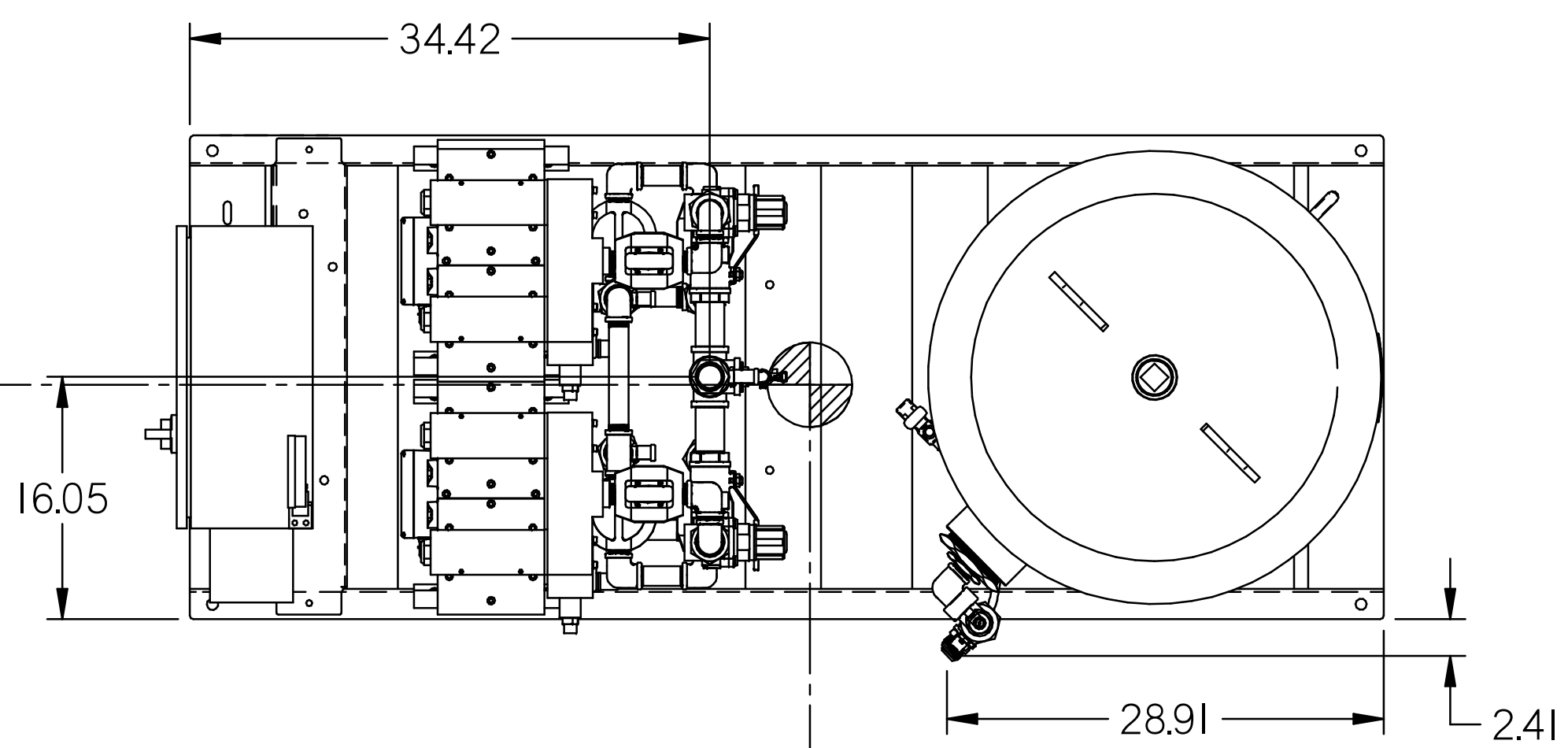
SYMBOL LEGEND ⊖ = MINUS DRAFT ⊕ = PLUS DRAFT ⊙ = ADDITIONAL CONTROL REQ'D HB = BRINELL HARDNESS	Drawings to conform to the current revision of the following ANSI standards: Y14.3 Multi and sectional view dgs Y14.9M Dimensioning and tolerancing
TOLERANCES NOT SPECIFIED /XX ± XXX ± /DEG ±	AUTOCAD REL2008 LT INCH DO NOT SCALE DRAWING FOR DIMENSIONS Sheet 1 of 4 SCALE 1:10
CONFIDENTIAL DISCLOSURE This drawing is the property of POWEREX, INC. of the SCOTT FETZER COMPANY and subject to return on demand. Its contents are confidential and must not be copied or submitted to outside parties for use or reproduction.	APPROVED BY ENGINEERING: RFG/MPK/TS 4/23/13    4/23/13    4/23/13    4/23/13 DRAWN BY: RK    CHECKED BY: AEK    APPROVED BY: JA    CT
MATERIAL: N/A PART NAME: 40HP ENCLOSED SCROLL 200GAL DUAL DESICCANT LAB PACKAGE	 150 PRODUCTION DRIVE, HARRISON, OHIO 45030 Ph: 988-762-7079, Fax: 910-367-3165 DWN NO: LSE4005    SIZE: D

8 7 6 5 4 3 2 1

REV	ZONE	REVISION	DATE	ECN	NAME	CHKD
A-1	ALL	SUBMITTAL DRAWINGS	3/23/13	PREC0032	RK	AEK
B-1	ALL	RELEASE FOR PRODUCTION	04/23/13	PREC0032	RK	AEK
C-1	2,3 ALL	CONVERT TO POWEREX DRYER	2/20/14	PREC0074	RK	AEK
D-1	2,3 ALL	UPDATED DRYER OUTLET ORIENTATION	4/11/15	PREC0100	AEK	GES
E-1	(2,3)	ADDED COG INFORMATION	1/26/18	PREC0227	GES	DMS
F	ALL	CHANGED TO TRENT DRYERS, MORGANTON TANK, UPDATED TO TC	9/10/19	PREC0305 029	RLH	GES

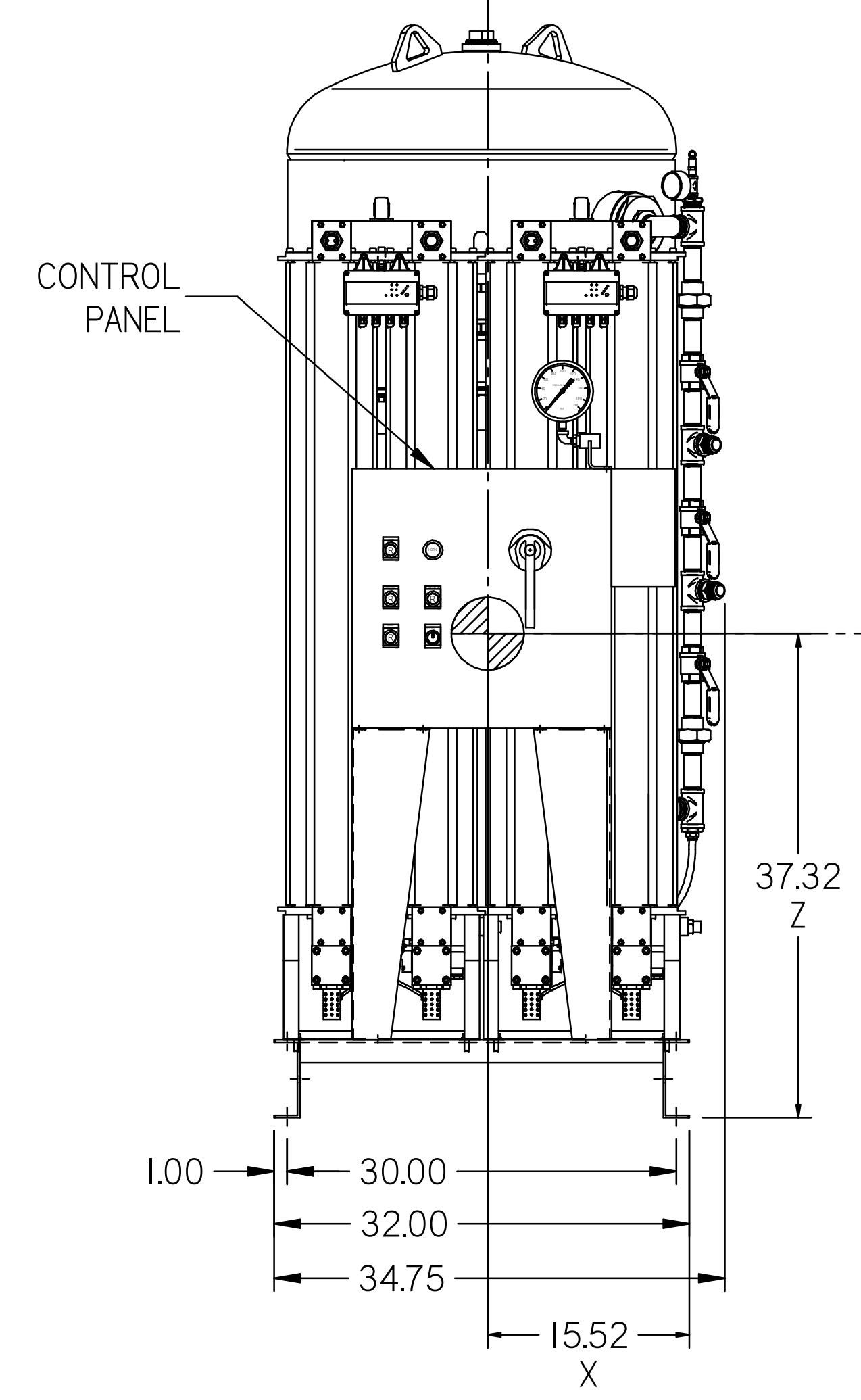
D  
C  
B  
A

D  
C  
B  
A



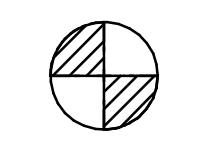
2X DESICCANT DRYER  
W/ PRE-FILTER & AFTER-FILTER  
SEE DRYER 3D MODEL ID# 724672  
FOR PLUMBING DETAILS

200 GAL INTERNALLY LINED  
ASME RECEIVER  
SEE TANK 3D MODEL ID# 721057 FOR  
PLUMBING DETAILS



DEW POINT  
MONITOR

DENOTES CENTER OF GRAVITY

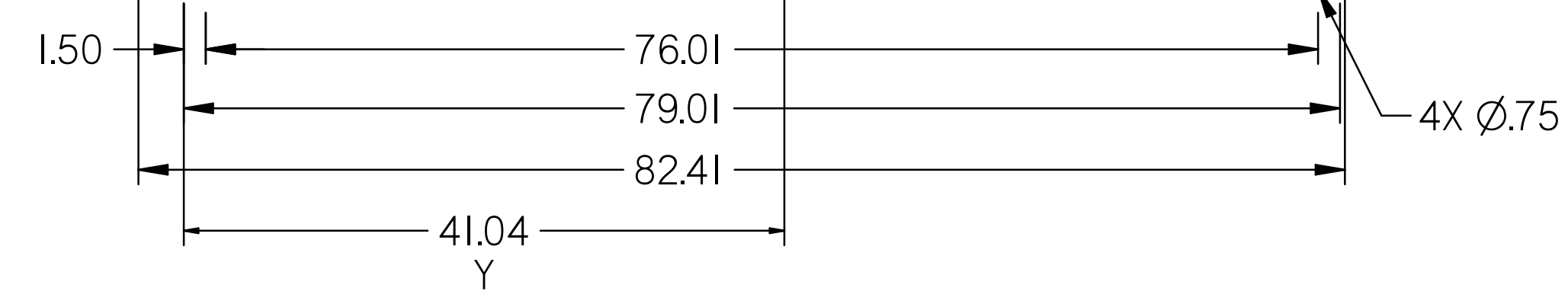
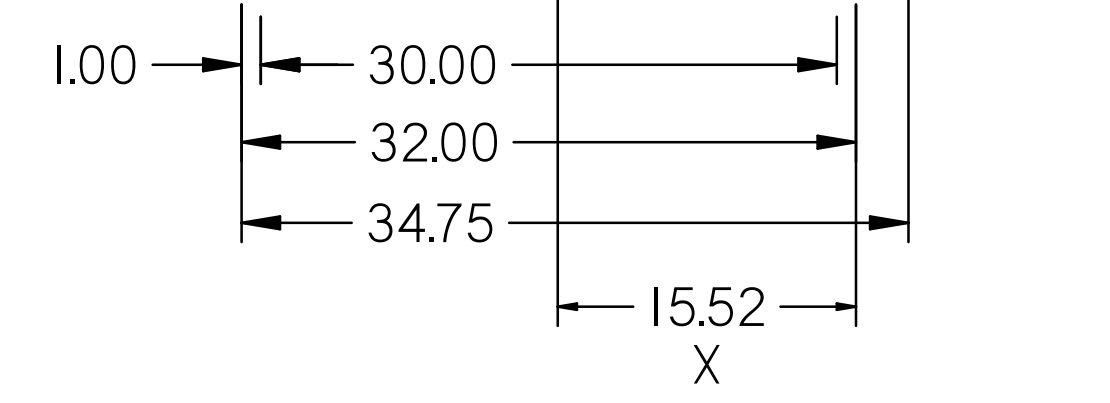


UNIT WEIGHT: 1305 LBS  
CENTER OF GRAVITY LOCATIONS:  
X(FRONT)                      Y(RIGHT)                      Z(HEIGHT)  
15.52"                              41.04"                              37.32"

40.62  
1" NPT  
AIR INLET

84.19  
64.25  
1-1/2" NPT  
AIR OUTLET

NOTE:  
1) SHEET 1 - SE04007 LAYOUT  
SHEET 2 - AIR TREATMENT LAYOUT  
SHEET 3 - PLAN VIEW  
SHEET 4 - FLOW SCHEMATIC



<b>SYMBOL LEGEND</b> ⊖ = MINUS DRAFT      ⊕ = PLUS DRAFT ⊕ = ADDITIONAL CONTROL REQ'D HB = BRINELL HARDNESS		Drawings to conform to the current revision of the following ANSI standards: Y14.3 Multi and sectional view dgs. Y14.5M Dimensioning and tolerancing	
TOLERANCES NOT SPECIFIED XX ± XXX ± Z (DEC.) ±		AUTOCAD REL2008 LT <b>INCH</b> DO NOT SCALE DRAWING FOR DIMENSIONS Sheet 2 of 4      SCALE 1:10	
CONFIDENTIAL DISCLOSURE This drawing is the property of POWEREX, INC. of the SCOTT FETZER COMPANY and subject to return on demand. The contents are confidential and must not be copied or submitted to outside parties for use or explanation.		DRAWN BY: RK CHECKED BY: AEK APPROVED BY: JA, CT 4/23/13    4/23/13    4/23/13    4/23/13	
MATERIAL: N/A			
PART NAME: 40HP ENCLOSED SCROLL 200GAL DUAL DESICCANT LAB PACKAGE		DWG NO: LSE4005 SIZE: D	

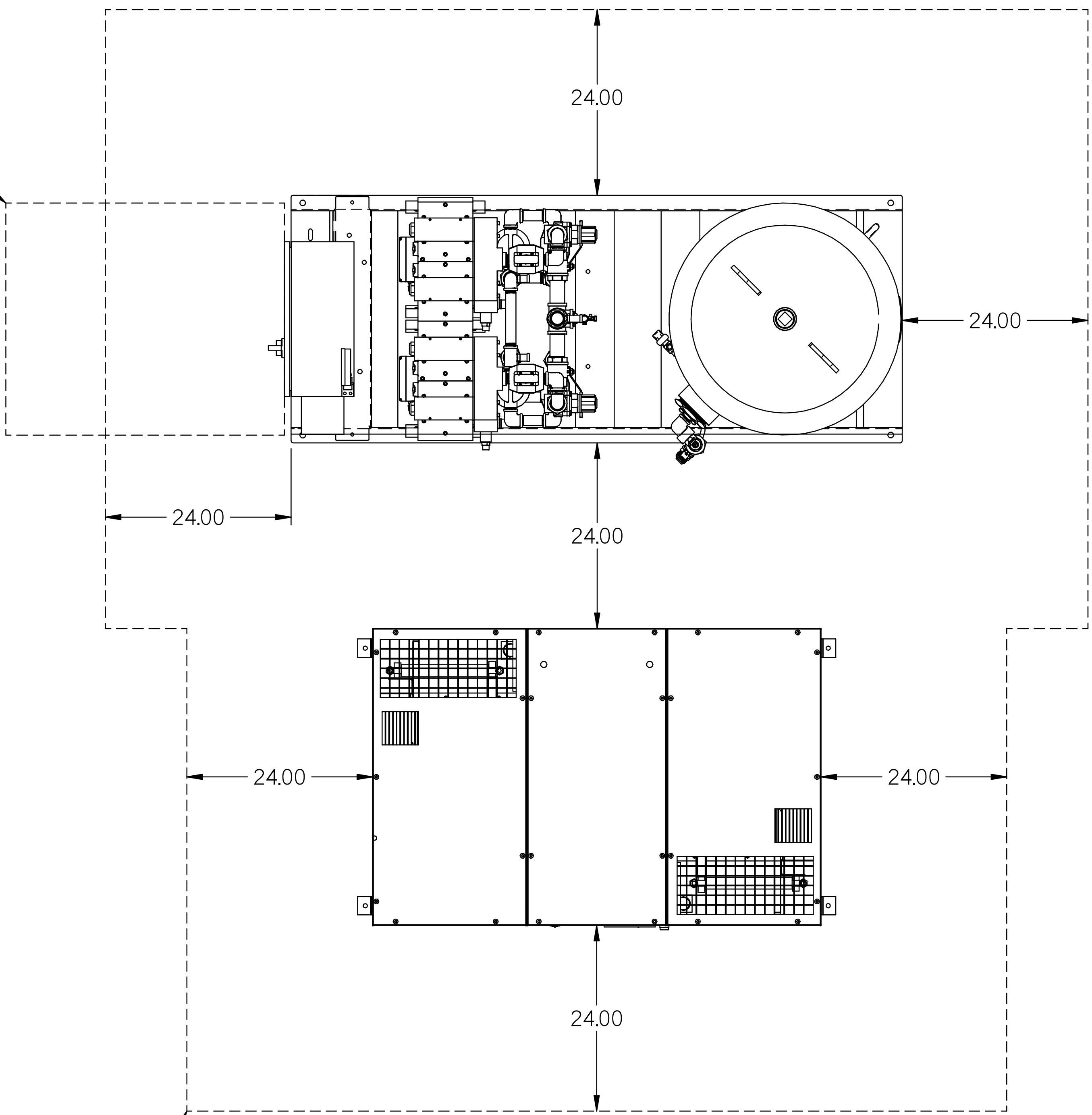
8 7 6 5 4 3 2 1

LSE4005-000

8 7 6 5 4 3 2 1

REV	ZONE	REVISION	DATE	ECN	NAME	CHKD
A-1	ALL	SUBMIT TOTAL DRAWINGS	4/23/13	000001	RK	AEK
B-1	ALL	RELEASE FOR PRODUCTION	04/23/13	PREC0032	RK	AEK
C-1	23 ALL	CONVERT TO POWEREX DRYER	2/20/14	PREC0074	RK	AEK
D-1	23 ALL	UPDATED DRYER OUTLET ORIENTATION	4/1/15	PREC0100	AEK	GES
E-1	12/14	ADDED COC INFORMATION	1/26/18	PREC0227	GES	DMS
F	ALL	CHANGED TO TRENT DRYERS, MORGANTON TANK, UPDATED TO TC	9/10/19	PREC0361	RJH	GES

MINIMUM RECOMMENDED ELECTRICAL PANEL CLEARANCE PER OSHA/NEC REQUIREMENTS



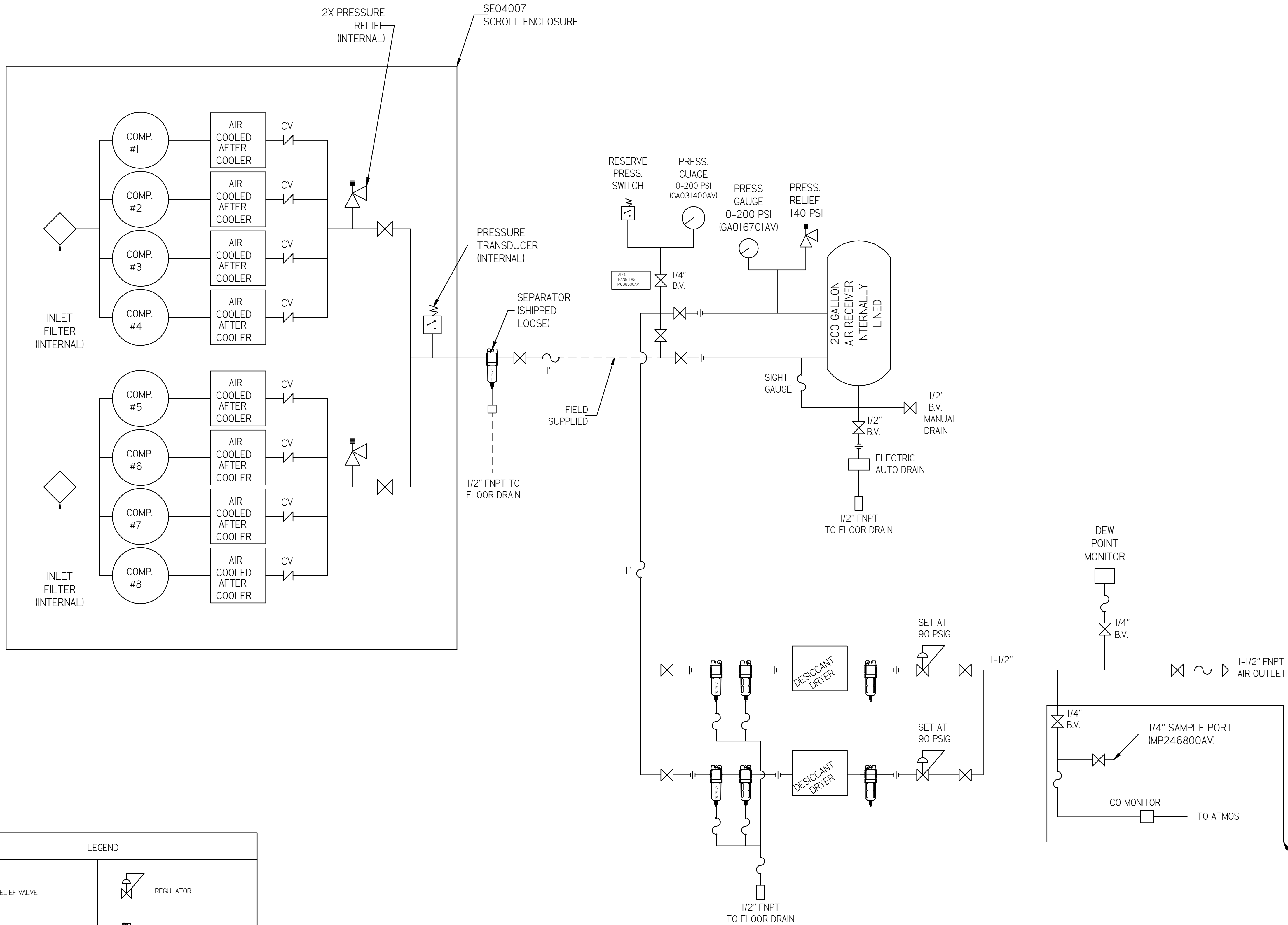
MINIMUM RECOMMENDED MAINTENANCE CLEARANCE

- NOTE:  
 1) SHEET 1 - SE04007 LAYOUT  
 SHEET 2 - AIR TREATMENT LAYOUT  
 SHEET 3 - PLAN VIEW  
 SHEET 4 - FLOW SCHEMATIC

<b>SYMBOL LEGEND</b> ⊖ = MINUS DRAFT      ⊕ = PLUS DRAFT ⊕ = ADDITIONAL CONTROL REQ'D HRC = BRINELL HARDNESS		Drawings to conform to the current revision of the following ANSI standards: Y14.3 Multi and sectional view dsgs Y14.9M Dimensioning and tolerancing	
TOLERANCES NOT SPECIFIED: .XX ± .XXX ± .Z (DEG.) ±		AUTOCAD REL2008 LT <b>INCH</b> DO NOT SCALE DRAWING FOR DIMENSIONS Sheet 3 of 4      SCALE 1:10	
CONFIDENTIAL DISCLOSURE This drawing is the property of POWEREX, INC. of the SCOTT FITZGER COMPANY and subject to return on demand. Its contents are confidential and must not be copied or submitted to outside parties for use or examination.		DRAWN BY RK	CHECKED BY AEK
MATERIAL N/A		APPROVED BY JA	DATE 4/23/13
PART NAME 40HP ENCLOSED SCROLL 200GAL DUAL DESICCANT LAB PACKAGE		APPROVED BY CT	
ENG NO LSE4005		DATE 4/23/13	
SIZE D		DATE 4/23/13	

8 7 6 5 4 3 2 1

REV	ZONE	REVISION	DATE	ECN	NAME	CHKD
A-1	ALL	SUBMITTAL DRAWINGS	4/23/13	PRE0001	RK	AEK
B-1	ALL	RELEASE FOR PRODUCTION	04/23/13	PRE0002	RK	AEK
C-1	23 ALL	CONVERT TO POWEREX DRYER	2/20/14	PRE0004	RK	AEK
D-1	23 ALL	UPDATED DRYER OUTLET ORIENTATION	4/1/15	PRE0100	AEK	GES
E-1	23 ALL	ADDED COG INFORMATION	1/26/16	PRE0207	GES	DMS
F	ALL	CHANGED TO TRENT DRYERS MORGANTON TANK UPDATED TO TC	9/10/19	PRE0208.029	RJH	GES



NOTE:  
 1) SHEET 1 - SE04007 LAYOUT  
 SHEET 2 - AIR TREATMENT LAYOUT  
 SHEET 3 - PLAN VIEW  
 SHEET 4 - FLOW SCHEMATIC

LEGEND	
	RELIEF VALVE
	INTAKE FILTER
	AIR FILTER
	CARBON FILTER
	BALL VALVE
	3 WAY VALVE
	REGULATOR
	SEPARATOR
	FLEX LINE
	HIGH TEMP SWITCH
	UNION
	CHECK VALVE

SYMBOL LEGEND		= ADDITIONAL CONTROL REQ'D		Drawings to conform to the current revision of the following ANSI standards:	
⊖ = MINUS DRAFT		⊕ = PLUS DRAFT		H14.3 Multi and sectional view dsgs. H14.5W Dimensioning and tolerancing	
TOLERANCES NOT SPECIFIED		AUTOCAD REL2008 LT		DO NOT SCALE DRAWING FOR DIMENSIONS	
XX ±		INCH		Sheet 4 of 4	
XXX ±				SCALE 1:10	
Z (NEG.) ±					
CONFIDENTIAL DISCLOSURE This drawing is the property of POWEREX, INC. of the SCOTT FELTZER COMPANY and subject to return on demand. Its contents are confidential and must not be copied or submitted to outside parties for use or reproduction.					
DRAWN BY		CHECKED BY		APPROVED BY	
RK		AEK		JA CT	
4/23/13		4/23/13		4/23/13 4/23/13	
MATERIAL		N/A			
PART NAME		40HP ENCLOSED SCROLL		DWG NO LSE4005	
FLOW SCHEMATIC				SIZE D	