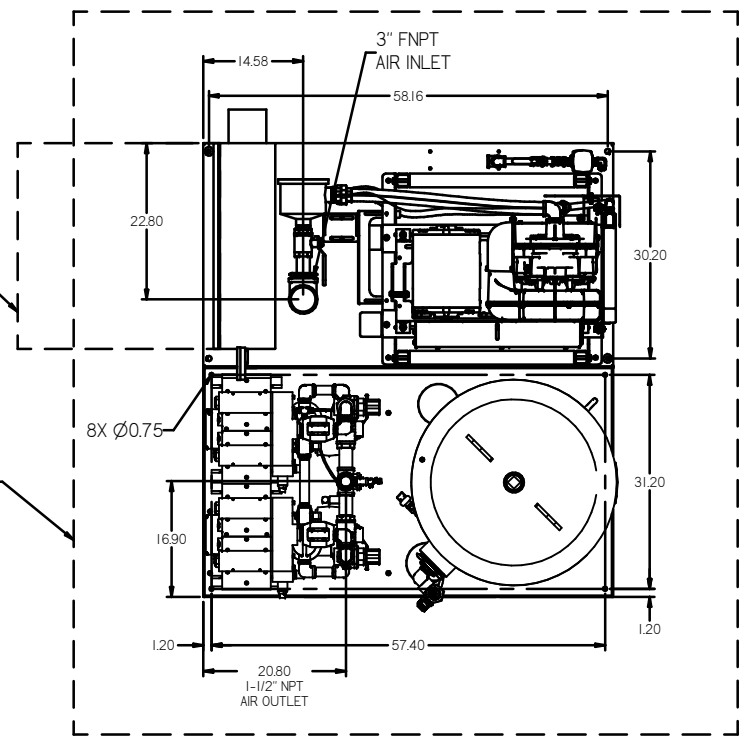


REV	ZONE	REVISION	DATE	ECN	NAME	CHKD
B-1	ALL	RELEASE TO PRODUCTION	3/2/15	PREC0015	AEK	DMS
C-1	ALL	WAVE REDUCED DESIGN SMALLER FOOTPRINT	2/23/2015	PREC0027	JBE	AEK
D-1	ALL	ADDED PRESS GAUGE, NO LOSS DRAIN, TL DRA CORR FROM BLOWER NAME TAG ALARM NOTE CORR OUTLET NOTE & PANEL NOTE SPELLING CORR DRAIN SCHEMATIC ON FLOW	10/27/15	PREC0093	GES	KMD
E	ALL	CHANGED TO 10HP/200GAL BASEMOUNT DUPLEX DESICCANT	10/10/15	PREC0202	GES	MMY

MINIMUM RECOMMENDED ELECTRICAL PANEL CLEARANCE PER OSHA/NEC REQUIREMENTS

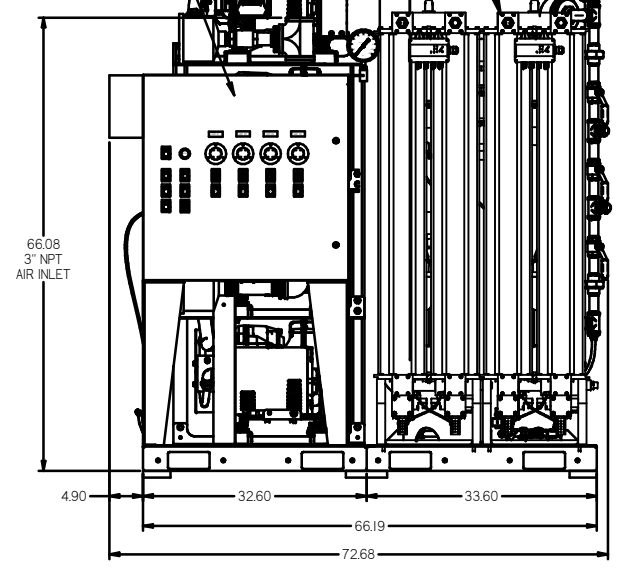
24" MINIMUM RECOMMENDED MAINTENANCE CLEARANCE



2X DESICCANT DRYERS W/ PRE-FILTERS & AFTER-FILTERS. CARBON FILTERS ARE OPTIONAL.

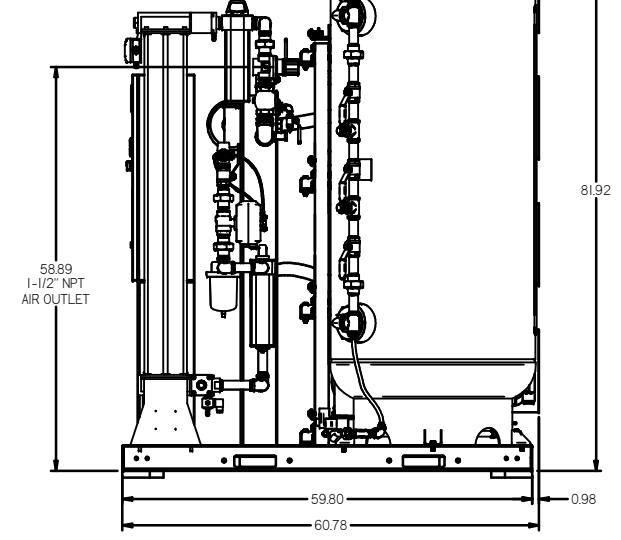
SEE 3D MODEL ID# 725248 FOR PLUMBING DETAIL

BASIC CONTROL PANEL PSL41S3 SERIES

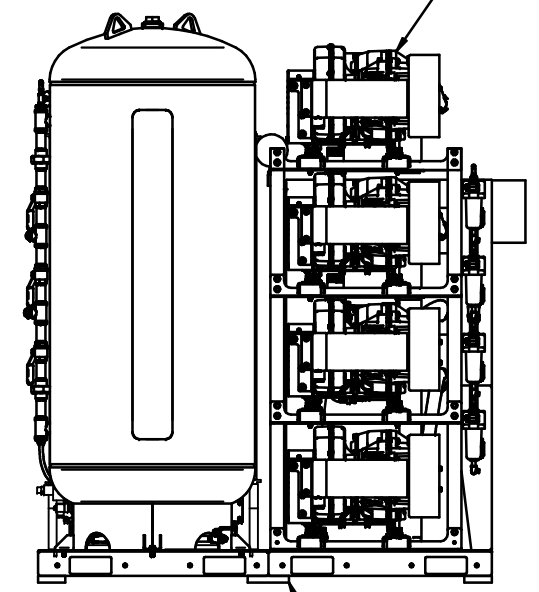


200 GAL ASME RECEIVER INTERNALLY LINED

SEE 3D MODEL ID# 721057 FOR PLUMBING DETAIL



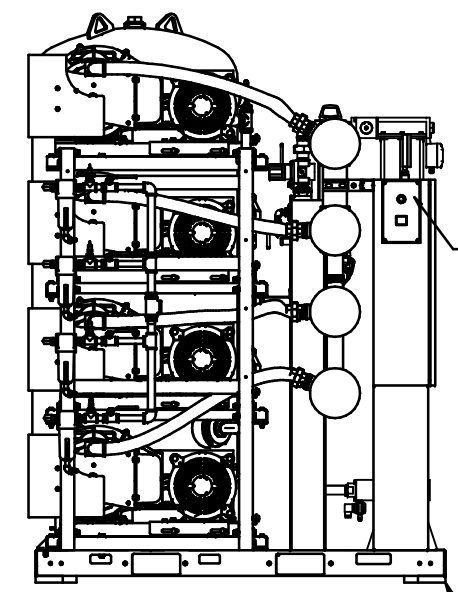
4X 10HP OILLESS SCROLL AIR END



ISOLATION PADS 6" X 6" X 1" (QTY.2)

DEW POINT MONITOR

ISOLATION PADS 4" X 4" X 1" (QTY.4)

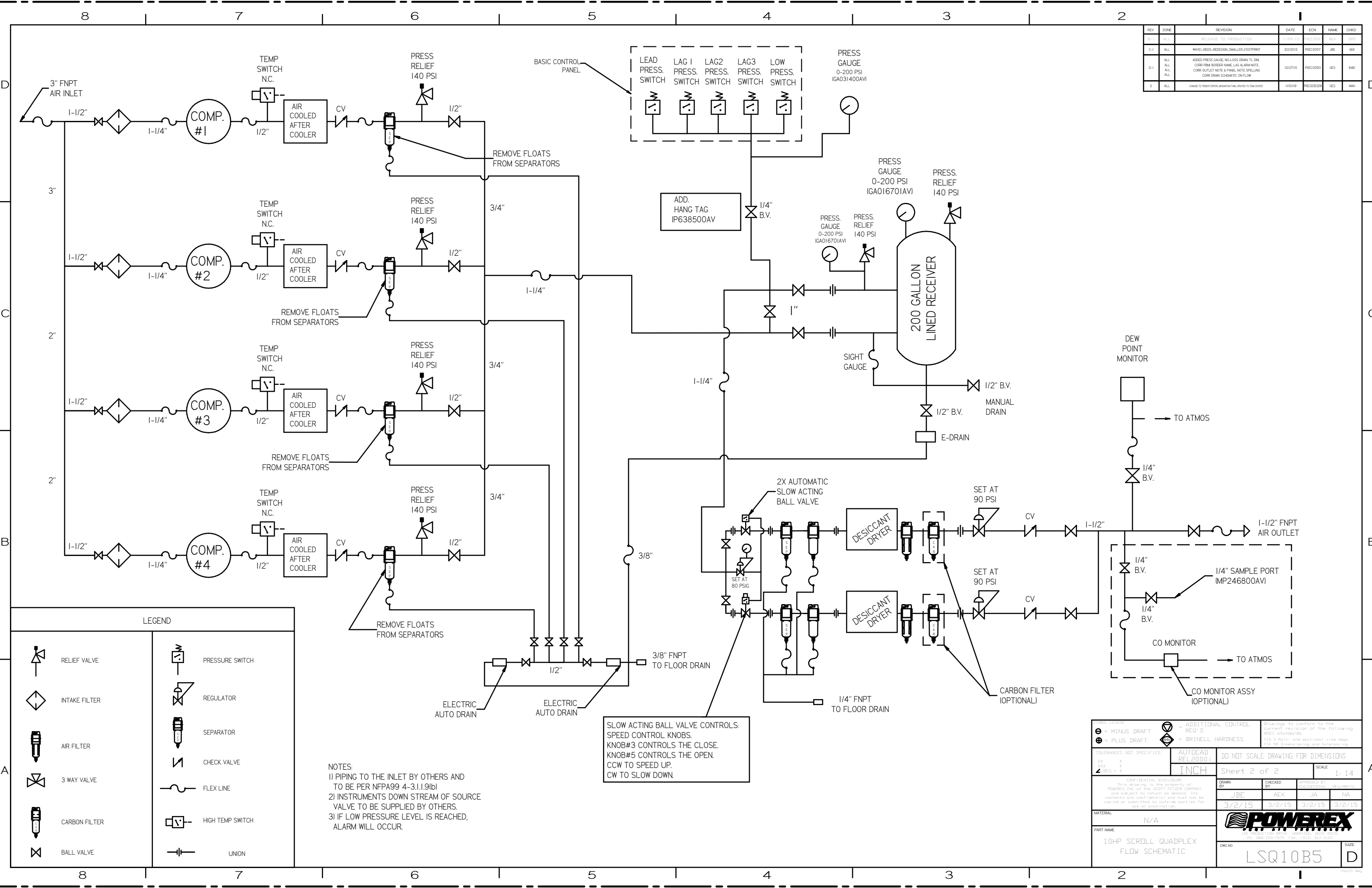


- NOTES:
- 1) RECOMMENDED 24" CLEARANCE AROUND SYSTEM
 - 2) INSTALL ELECTRICAL CONTROL PANEL WITH CLEARANCE PER OSHA/NEC RECOMMENDATIONS

NOTE: SYSTEM DESIGNED IN COMPLIANCE WITH US NFPA'99, LATEST EDITION.

MINUS DRAFT PLUS DRAFT TOLERANCES NOT SPECIFIED AUTOCAD REL2000 INCH	ADDITIONAL CONTROL REQ'D BRINELL HARDNESS DO NOT SCALE DRAWING FOR DIMENSIONS Sheet 1 of 2 SCALE 1:14	Drawings to conform to the current revision of the following ASME standards: Y14.3 W14.1 and section 1 view steps Y14.5M Dimensioning and tolerancing
CONFIDENTIAL DISCLOSURE This drawing is the property of POWEREX, INC. of the SCOTT FETZER COMPANY and subject to return on demand. Its contents are confidential and must not be copied or submitted to outside parties for use or examination.	DRAWN BY: JBE CHECKED BY: AEK 3/2/15	APPROVED BY: JA 3/2/15 POWEREX THE SCOTT FETZER COMPANY 1000 N. 10TH ST. SUITE 100 WISCONSIN, WI 53190
MATERIAL: N/A PART NAME: QUADPLEX OILLESS SCROLL 10HP, 200GAL, BASEMOUNT DUPLEX DESICCANT DWG NO: LSQ10B5	SIZE: D	

REV	ZONE	REVISION	DATE	ECN	NAME	CHKD
0	ALL	RELEASED TO PRODUCTION				
C-1	ALL	WAVELENGTH REDUCED, SMALLER FOOTPRINT	3/2/2015		JBE	AEK
D-1	ALL	ADDED PRESS GAUGE, NO LOSS DRAIN TO DIM				
	ALL	CORR FRM BUSSER NAME, LAG ALARM NOTE	10/27/15		GES	KMD
	ALL	CORR OUTLET NOTE & PANEL NOTE SPELLING				
	ALL	CORR DRAIN SCHEMATIC ON FLOW				
E	ALL	CHANGED TO TIGHTER ORDER, MARGINATION TIGHT, UPDATED TO TEAM CENTER	11/04/19		REC200020	GES
						MMH



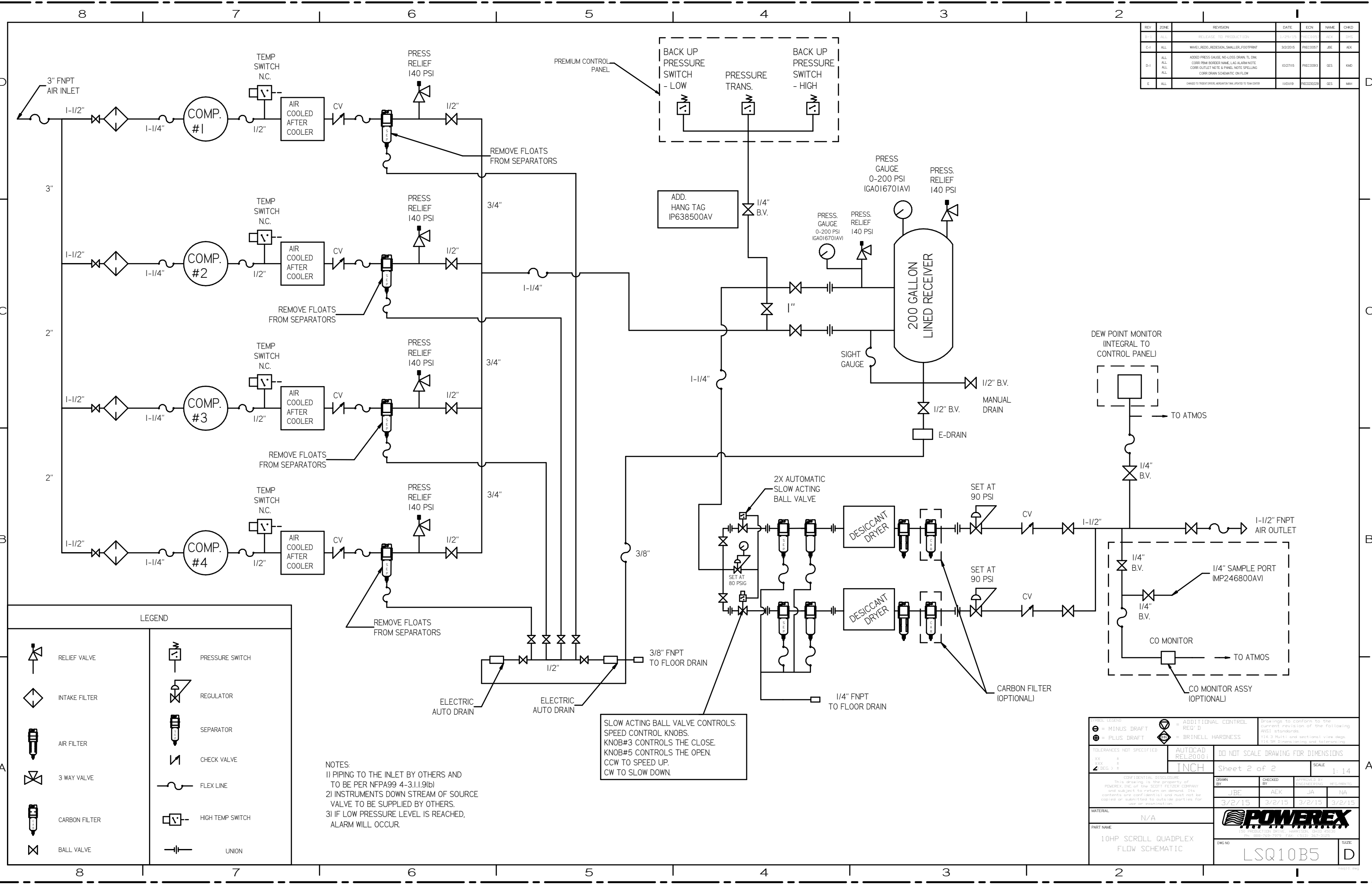
LEGEND	
	RELIEF VALVE
	INTAKE FILTER
	AIR FILTER
	3 WAY VALVE
	CARBON FILTER
	BALL VALVE
	PRESSURE SWITCH
	REGULATOR
	SEPARATOR
	CHECK VALVE
	FLEX LINE
	HIGH TEMP SWITCH
	UNION

NOTES:
 1) PIPING TO THE INLET BY OTHERS AND TO BE PER NFPA99 4-3.1.1.9(b)
 2) INSTRUMENTS DOWN STREAM OF SOURCE VALVE TO BE SUPPLIED BY OTHERS.
 3) IF LOW PRESSURE LEVEL IS REACHED, ALARM WILL OCCUR.

SLOW ACTING BALL VALVE CONTROLS: SPEED CONTROL KNOBS. KNOB#3 CONTROLS THE CLOSE. KNOB#5 CONTROLS THE OPEN. CCW TO SPEED UP. CW TO SLOW DOWN.

TOLERANCES NOT SPECIFIED		DO NOT SCALE DRAWING FOR DIMENSIONS	
XX	±	INCH	SCALE 1:14
XXX	±		
XXXX	±		
CONFIDENTIAL DISCLOSURE	DRAWING TO CONFORM TO THE CURRENT REVISION OF THE FOLLOWING ANSI STANDARDS:		
This drawing is the property of POWEREX, INC. of the SCOTT FETZER COMPANY and subject to return on demand. Its contents are confidential and must not be copied or submitted to outside parties for use or reproduction.			
MATERIAL: N/A		PART NAME: 10HP SCROLL QUADPLEX FLOW SCHEMATIC	
DRAWN BY: JBE		CHECKED BY: AEK	
3/2/15		3/2/15	
APPROVED BY: JA		DATE: 3/2/15	
N/A		N/A	
DWG NO: LSQ10B5		SIZE: D	

REV	ZONE	REVISION	DATE	ECN	NAME	CHKD
B-1	ALL	RELEASE TO PRODUCTION	1/20/15	EC0057	JBE	AEK
C-1	ALL	WHEEL REDO, REDUCED SMALLER FOOTPRINT	3/2/2015	PXEC0057	JBE	AEK
D-1	ALL	ADDED PRESS GAUGE, NO LOSS DRAIN, TL, DM, CORR FROM BORDER NAME, LAG ALARM NOTE, CORR OUTLET NOTE & PANEL NOTE SPELLING, CORR DRAIN SCHEMATIC ON FLOW	10/27/15	PXEC0093	GES	KMD
E	ALL	OWNED TO TRIDENT DRIVE, MODIFICATION FROM LATEST TO NEW CENTER	11/01/19	PXEC03009	GES	MKH



LEGEND

	RELIEF VALVE		PRESSURE SWITCH
	INTAKE FILTER		REGULATOR
	AIR FILTER		SEPARATOR
	3 WAY VALVE		CHECK VALVE
	CARBON FILTER		FLEX LINE
	BALL VALVE		HIGH TEMP SWITCH
			UNION

NOTES:
 1) PIPING TO THE INLET BY OTHERS AND TO BE PER NFPA99 4-3.1.1.9(i)
 2) INSTRUMENTS DOWN STREAM OF SOURCE VALVE TO BE SUPPLIED BY OTHERS.
 3) IF LOW PRESSURE LEVEL IS REACHED, ALARM WILL OCCUR.

SLOW ACTING BALL VALVE CONTROLS SPEED CONTROL KNOBS. KNOB#3 CONTROLS THE CLOSE. KNOB#5 CONTROLS THE OPEN. CCW TO SPEED UP. CW TO SLOW DOWN.

TOLERANCES NOT SPECIFIED		DO NOT SCALE DRAWING FOR DIMENSIONS	
XX	+	INCH	
Z (NEG.)	+	Sheet 2 of 2	
SCALE 1:14		DATE	
DRAWN BY		CHECKED BY	
3/2/15		3/2/15	
APPROVED BY		DATE	
JBE		3/2/15	
MATERIAL		N/A	
PART NAME		10HP SCROLL QUADPLEX FLOW SCHEMATIC	
DRAWING NO.		LSQ10B5	
SIZE		D	