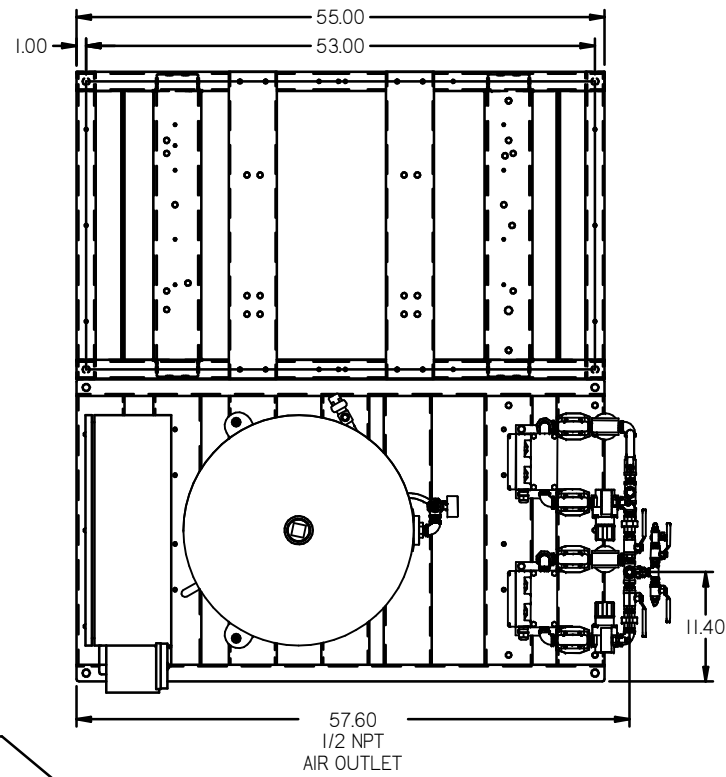
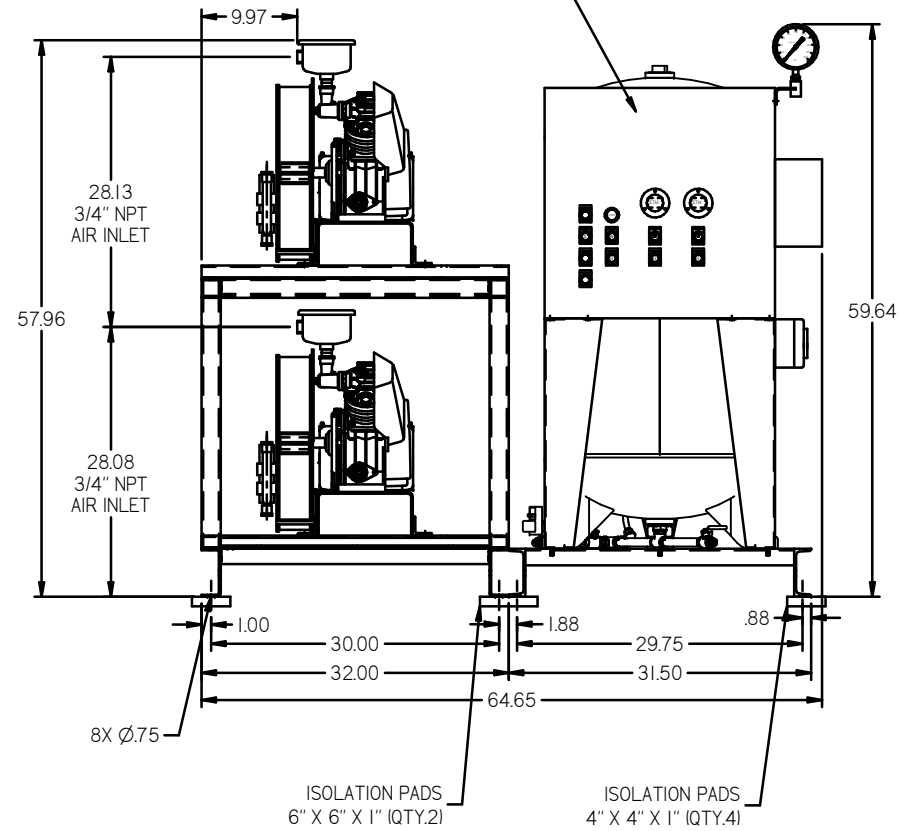


REV	ZONE	REVISION	DATE	ECN	NAME	CHKD
B-1	ALL	RELEASED TO PRODUCTION	05/05/06	1155	DMS	GES
C-1	2, C3	ADDED MANUAL DRAIN	06/25/07	21669	DMS	GES
D-1	2, B3, B5	ADDED 100 VALVE HING TAG, TANK GAUGE, TYPED REV	03/20/08	21907	DMS	GES
E-1	1, ALL	REMOVED 100 VALVE AND 4 RELOCATED PANEL AND OTHERS	02/24/09	22286	AEK	GES
F-1	1, ALL	UPDATED TO POWERED ORDER	10/11/09	22120	AEK	GES
G-1	1, ALL	UPDATED TO CURRENT PANELS	03/30/10	22407	AEK	GES
H-1	ALL	ADDED PDM SHEETS	01/14/11	22609	AEK	GES
J-1	2, D4	ADDED SHLEIBER VALVE TO STANDARD FLOW	01/21/12	22734	AEK	GES
K-1	2, D4	REMOVE SHLEIBER VALVE FROM STD FLOW	01/20/16	PRC0133	MJD	AEK
L	ALL	OWNED TO PREVENT ORDER MORGANTON TANK, UPDATED TO TEAM CENTER	01/04/19	PRC020209	GES	MHP

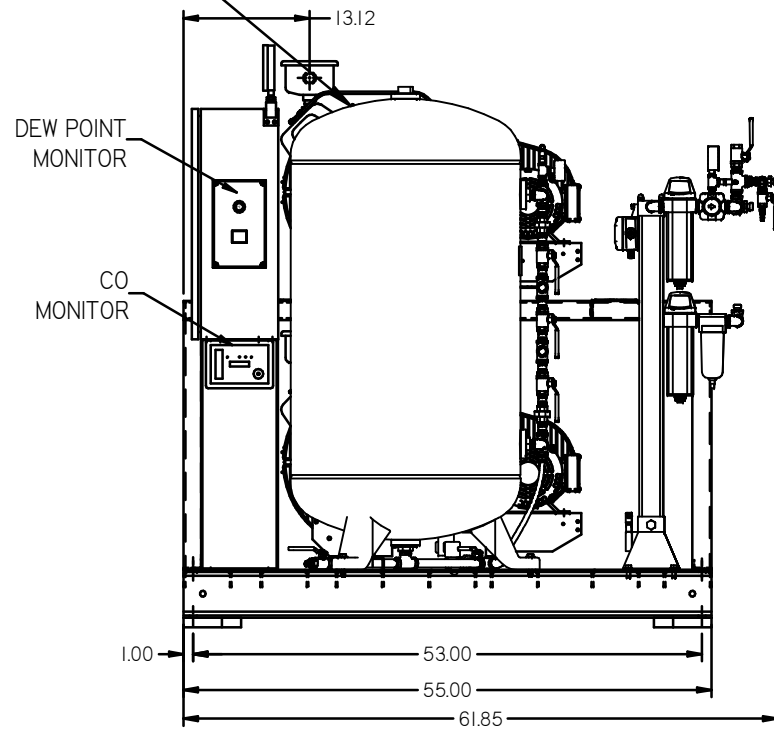


80GAL ASME RECEIVER
INTERNALLY LINED
SEE 3D MODEL ID# 723056
FOR PLUMBING DETAIL

BASIC CONTROL
PANEL
PRM215 SERIES

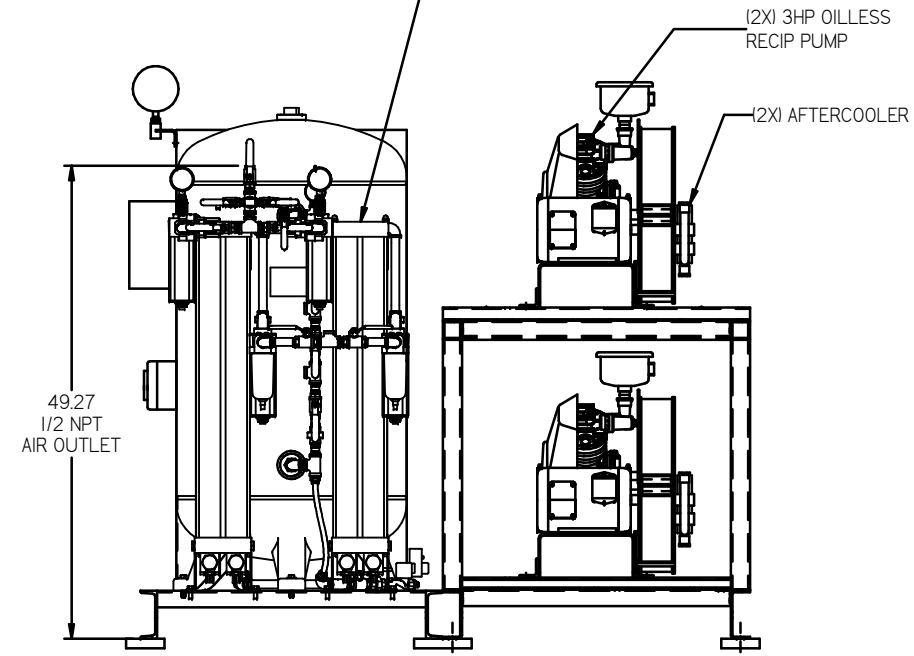


ISOLATION PADS
6" X 6" X 1" (QTY.2)
ISOLATION PADS
4" X 4" X 1" (QTY.4)



2X DESICCANT DRYERS
W/ PRE-FILTERS & AFTER-FILTERS.
CARBON FILTERS ARE OPTIONAL.

SEE 3D MODEL ID# 723019
FOR PLUMBING DETAIL

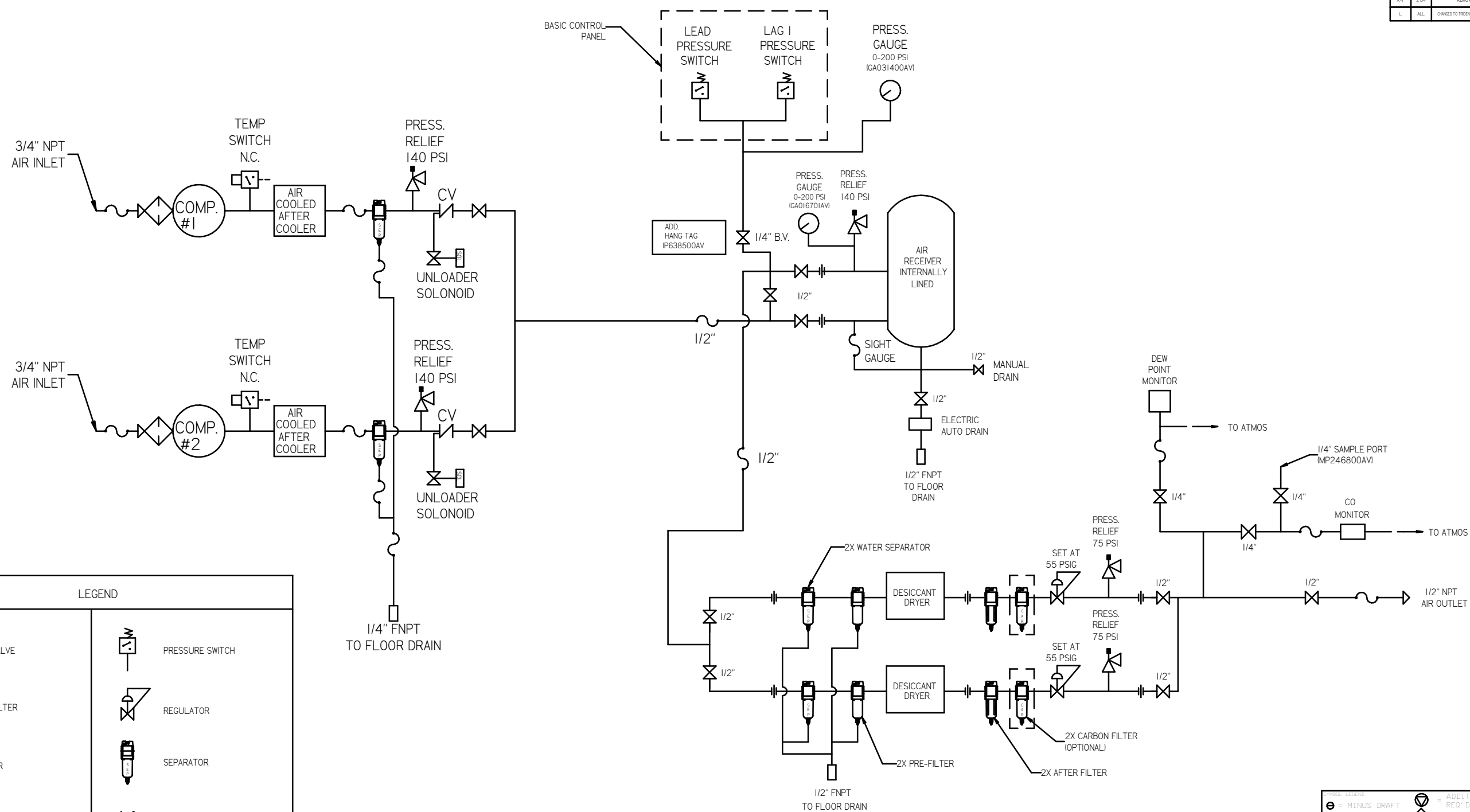


NOTE: A MINIMUM OF 24" CLEARANCE IS
RECOMMENDED AROUND THE ENTIRE UNIT.

NOTE: SYSTEM DESIGNED IN
COMPLIANCE WITH U.S. NFPA '99,
LATEST EDITION.

TOLERANCES NOT SPECIFIED XX ± .1 YYY ± .05 Z (REG.) ± .01	AUTOCAD REL20001 INCH	DO NOT SCALE DRAWING FOR DIMENSIONS Sheet 1 of 2 SCALE 1:10
CONFIDENTIAL DISCLOSURE This drawing is the property of the CAMPBELL GROUP of the SCOTT FETZER COMPANY and subject to return on demand. Its contents are confidential and must not be copied or submitted to outside parties for use or examination.	DRAWN BY: RSN CHECKED BY: GES APPROVED BY: DMS, JJ	11/30/05 4/17/06 4/22/06 7/06/06
MATERIAL: N/A	POWEREX 105 PRODUCTION DRIVE, HARRISBURG, OHIO 45030 TEL: 800-766-2276 FAX: 614-321-3125	
PART NAME: DUPLEX OILLESS 3HP, 80GAL. BASEMOUNT DUPLEX DESICCANT	DWG NO: MPD0308	SIZE: D

REV	ZONE	REVISION	DATE	ECN	NAME	CHD
B-1	ALL	RELEASE TO PRODUCT I.D.	06/08/06	013505	RSN	GES
C-1	2 CD	ADD MANUAL DRAIN	09/25/07	21669	DMS	GES
D-1	2 BA 99	ADD TO VALVE HANG TAG TANK GAUGE 75PSI SW	03/20/08	21907	DMS	GES
E-1	1 ALL	REMOVED H BASE SKID & RELOCATED PANEL AND DRIVERS	02/04/09	22286	AEK	GES
F-1	1 ALL	UPDATED TO POWER DRIVES	10/01/09	22520	AEK	GES
G-1	1 ALL	UPDATED TO CURRENT FRAMES	11/30/10	22407	AEK	GES
H-1	ALL	ADDED P&ID SHEETS	01/01/11	22609	AEK	GES
J-1	2 D4	ADDED SHLEBBER VALVE TO STANDARD FLOW	01/21/12	22734	AEK	GES
K-1	2 D4	REMOVE SHLEBBER VALVE FROM STD FLOW	01/22/16	PRE02133	WLD	AEK
L	ALL	CHANGED TO TRENDS DRIVES, MOUNTAIN TANK, UPDATED TO TEAM CENTER	06/04/19	PRE023029	GES	MH



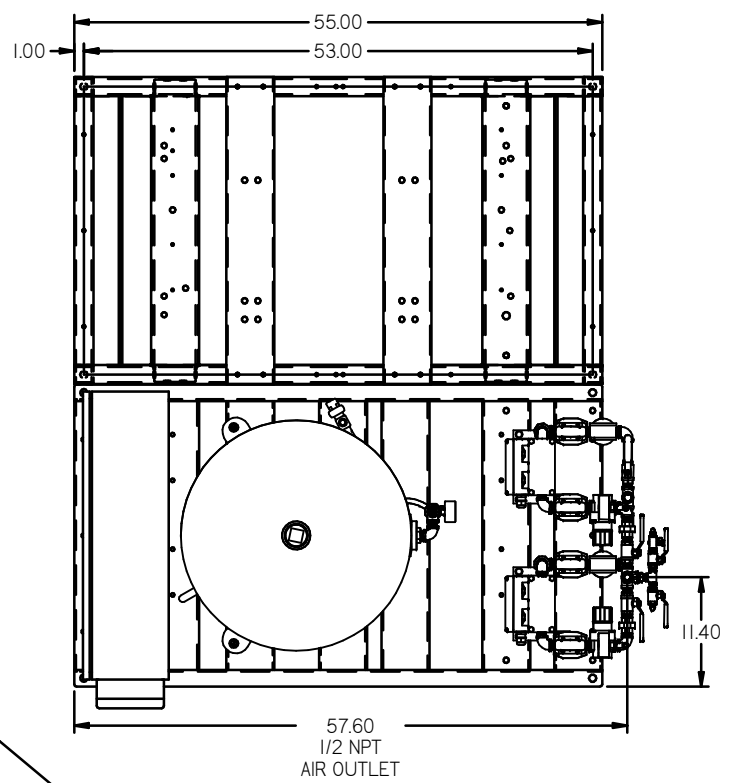
LEGEND

	RELIEF VALVE		PRESSURE SWITCH
	INTAKE FILTER		REGULATOR
	AIR FILTER		SEPARATOR
	3 WAY VALVE		CHECK VALVE
	CARBON FILTER		FLEX LINE
	BALL VALVE		HIGH TEMP SWITCH
	SOLENOID VALVE		UNION

NOTES:
 1) IF RESERVE COMPRESSOR IS ENERGIZED ALARM WILL OCCUR.
 2) PIPING TO THE INLET BY OTHERS AND TO BE PER NFPA99
 3) INSTRUMENTS DOWN STREAM OF SOURCE VALVE TO BE SUPPLIED BY OTHERS.

<p>MINUS DRAFT</p> <p>PLUS DRAFT</p>	<p>ADDITIONAL CONTROL REQ'D</p> <p>BRINELL HARDNESS</p>	<p>Drawings to conform to the current revision of the following ANSI standards:</p> <p>Y14.3 Multi and Sectional View Drawings Y14.9 Dimensioning and Tolerancing</p>
<p>TOLERANCES NOT SPECIFIED</p> <p>XX ±</p> <p>XXX ±</p> <p>4 DEC 1-2</p>	<p>AUTOCAD REL2000</p> <p>INCH</p>	<p>DO NOT SCALE DRAWING FOR DIMENSIONS</p> <p>Sheet 2 of 2</p> <p>SCALE 1:10</p>
<p>CONFIDENTIAL DISCLOSURE</p> <p>This drawing is the property of the CAMPBELL GROUP of the SCOTT FETZER COMPANY and subject to return on demand. Its contents are confidential and must not be copied or submitted to outside parties for use or reproduction.</p>		<p>Drawn BY: RSN</p> <p>Checked BY: GES</p> <p>Approved BY: DMS</p> <p>11/30/05 4/17/06 4/22/06 7/06/06</p>
<p>MATERIAL: N/A</p> <p>PART NAME: 3HP, MED. PACKAGE FLOW SCHEMATIC</p> <p>DWG NO: MPD0308</p>		<p>POWEREX</p> <p>SIZE: D</p>

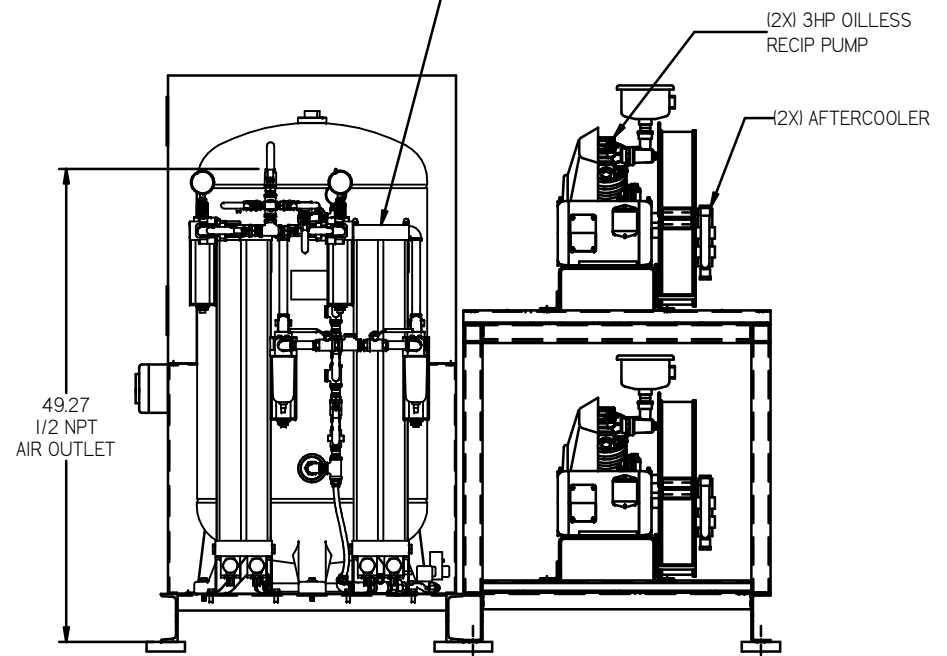
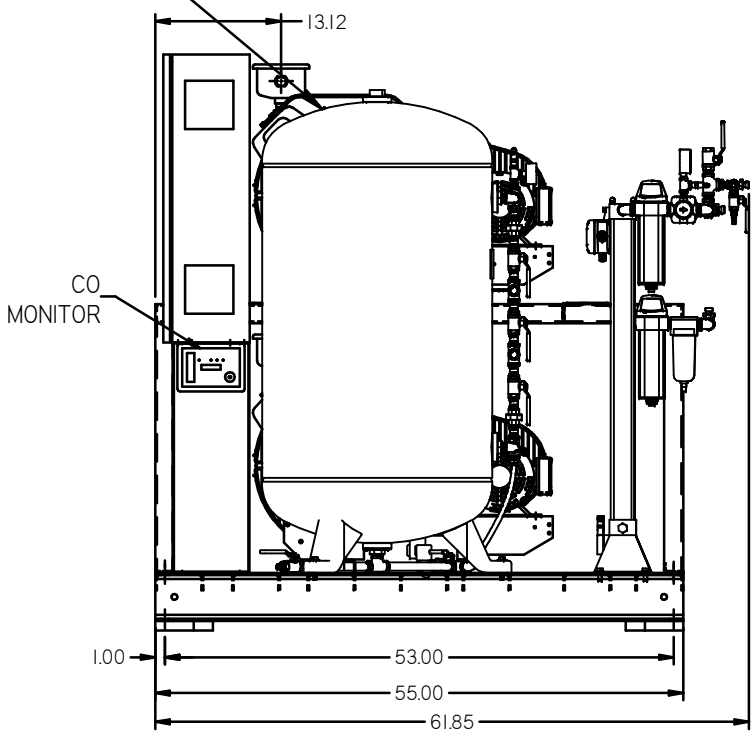
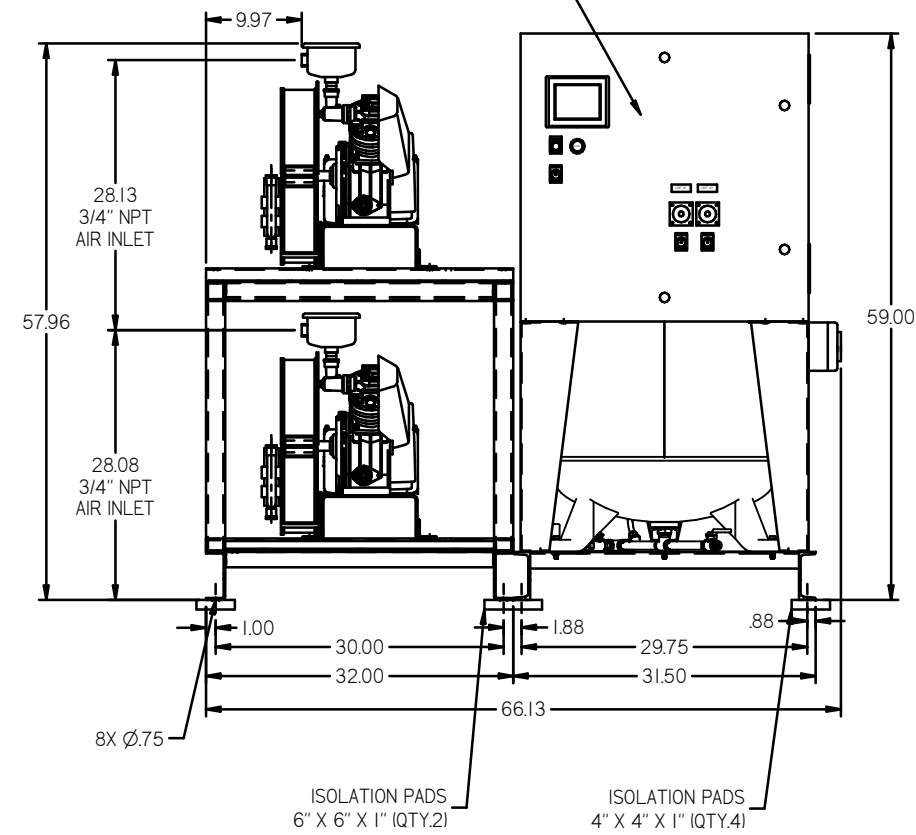
REV	ZONE	REVISION	DATE	ECN	NAME	CHKD
1	ALL	ASSEMBLY SHEETS	11/11/11	22734	AEK	GES
J4	2 D4	ADDED SNUBBER VALVE TO STANDARD FLOW	4/12/12	22734	AEK	GES
K1	2 D4	REMOVE SNUBBER VALVE FROM STD FLOW	01/20/16	PRE20133	MJD	AEK
L	ALL	CHANGED TO TREAT DRYERS, MOUNTON TANK, UPDATED TO TEAM CENTER	9/14/19	PRE203029	GES	MW



80GAL ASME RECEIVER INTERNALLY LINED
SEE 3D MODEL ID# 723056 FOR PLUMBING DETAIL

PREMIUM CONTROL PANEL
PBMIA216 SERIES

2X DESICCANT DRYERS
W/ PRE-FILTERS & AFTER-FILTERS.
CARBON FILTERS ARE OPTIONAL.
SEE 3D MODEL ID# 723019 FOR PLUMBING DETAIL

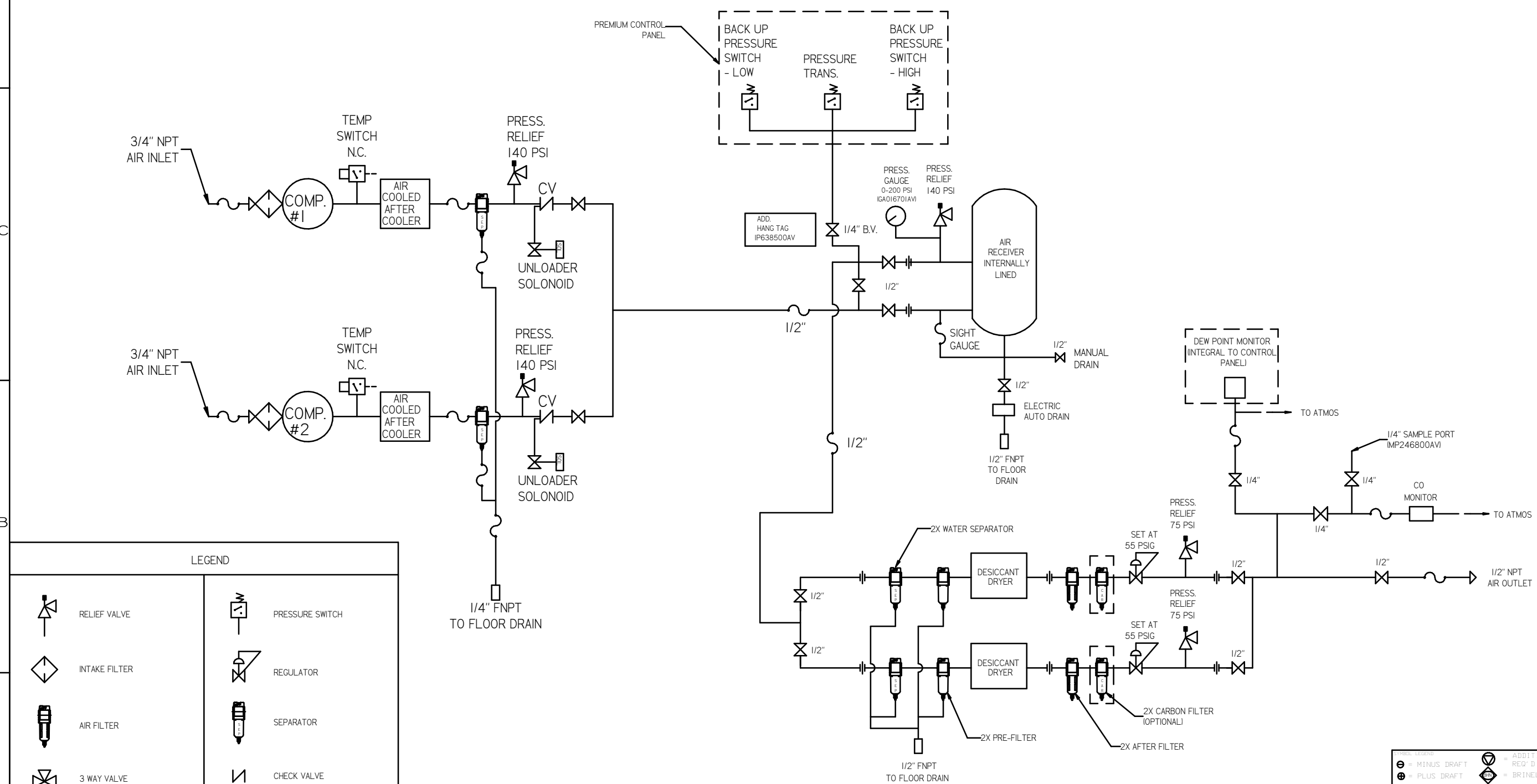


NOTE: A MINIMUM OF 24" CLEARANCE IS RECOMMENDED AROUND THE ENTIRE UNIT.

NOTE: SYSTEM DESIGNED IN COMPLIANCE WITH U.S. NFPA '99, LATEST EDITION.

TOLERANCE LEGEND: ⊖ = MINUS DRAFT ⊕ = PLUS DRAFT 8X Ø.75		= ADDITIONAL CONTROL REQ'D = BRINELL HARDNESS		Drawings to conform to the current revision of the following ANSI standards: Y14.3 Multi and sectional view dgs. Y14.9 Dimensioning and tolerancing	
TOLERANCES NOT SPECIFIED: .XX ± .XX ± .XX ±		AUTOCAD REL2009 LT INCH		DO NOT SCALE DRAWING FOR DIMENSIONS Sheet 1 of 2 SCALE 1:10	
MATERIAL: N/A		PART NAME: DUPLEX OILLESS 3HP, 80GAL, BASEMOUNT DUPLEX DESICCANT		DRAWN BY: AEK CHECKED BY: GES APPROVED BY: DMS, RJR 9/14/11 9/14/11 9/14/11 9/14/11	
DWG NO: MPD0308				SIZE: D	

REV	ZONE	REVISION	DATE	ECN	NAME	QWID
1	ALL	ISSUE FROM SHEETS	9/14/11	22734	AEK	GES
J-1	2 D4	ADDED SNUBBER VALVE TO STANDARD FLOW	4/1/12	22734	AEK	GES
K-1	2 D4	REMOVE SNUBBER VALVE FROM STD FLOW	10/20/10	REC03033	MD	AEK
L	ALL	OWNED TO TRENT DRIVERS, MORGANTON TANK, UPDATED TO TEAM CENTER	9/10/19	REC03039	GES	MH



LEGEND

	RELIEF VALVE		PRESSURE SWITCH
	INTAKE FILTER		REGULATOR
	AIR FILTER		SEPARATOR
	3 WAY VALVE		CHECK VALVE
	CARBON FILTER		FLEX LINE
	BALL VALVE		HIGH TEMP SWITCH
	SOLENOID VALVE		UNION

NOTES:
 1) IF RESERVE COMPRESSOR IS ENERGIZED ALARM WILL OCCUR.
 2) PIPING TO THE INLET BY OTHERS AND TO BE PER NFPA99
 3) INSTRUMENTS DOWN STREAM OF SOURCE VALVE TO BE SUPPLIED BY OTHERS.

<p>SYMBOL LEGEND</p> <p>⊖ = MINUS DRAFT</p> <p>⊕ = PLUS DRAFT</p> <p>⊛ = ADDITIONAL CONTROL REQ'D</p> <p>⊞ = BRINELL HARDNESS</p>	<p>Drawings to conform to the current revision of the following ANSI Standards:</p> <p>14.3 Multi and sectional view degn.</p> <p>14.9 Dimensioning and tolerancing</p>								
<p>TOLERANCES NOT SPECIFIED</p> <p>XX ±</p> <p>XX ±</p> <p>XX ±</p>	<p>AUTOCAD RELEASED LT</p> <p>INCH</p> <p>DO NOT SCALE DRAWING FOR DIMENSIONS</p> <p>Sheet 2 of 2</p> <p>SCALE 1:10</p>								
<p>CONFIDENTIAL DISCLOSURE</p> <p>This drawing is the property of the CAMPBELL GROUP of the SCOTT FETZER COMPANY and subject to return on demand. Its contents are confidential and must not be copied or submitted to outside parties for use or examination.</p>	<p>DATE</p> <table border="1"> <tr> <td>9/14/11</td> <td>9/14/11</td> <td>9/14/11</td> <td>9/14/11</td> </tr> <tr> <td>AEK</td> <td>GES</td> <td>DMS</td> <td>RJR</td> </tr> </table>	9/14/11	9/14/11	9/14/11	9/14/11	AEK	GES	DMS	RJR
9/14/11	9/14/11	9/14/11	9/14/11						
AEK	GES	DMS	RJR						
<p>MATERIAL</p> <p>N/A</p>	<p>POWEREX</p> <p>3HP. MED. PACKAGE FLOW SCHEMATIC</p> <p>DWG NO. MPD0308</p> <p>SIZE: D</p>								