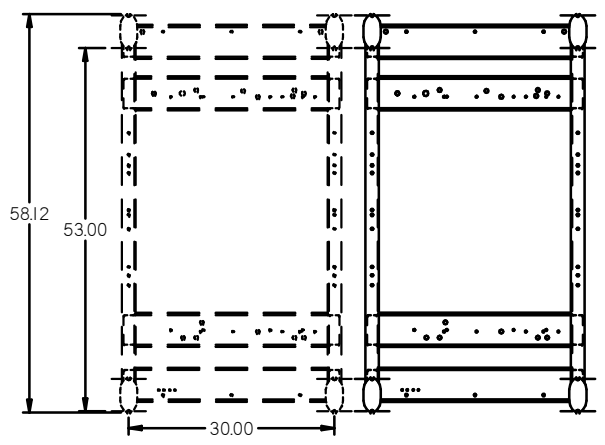
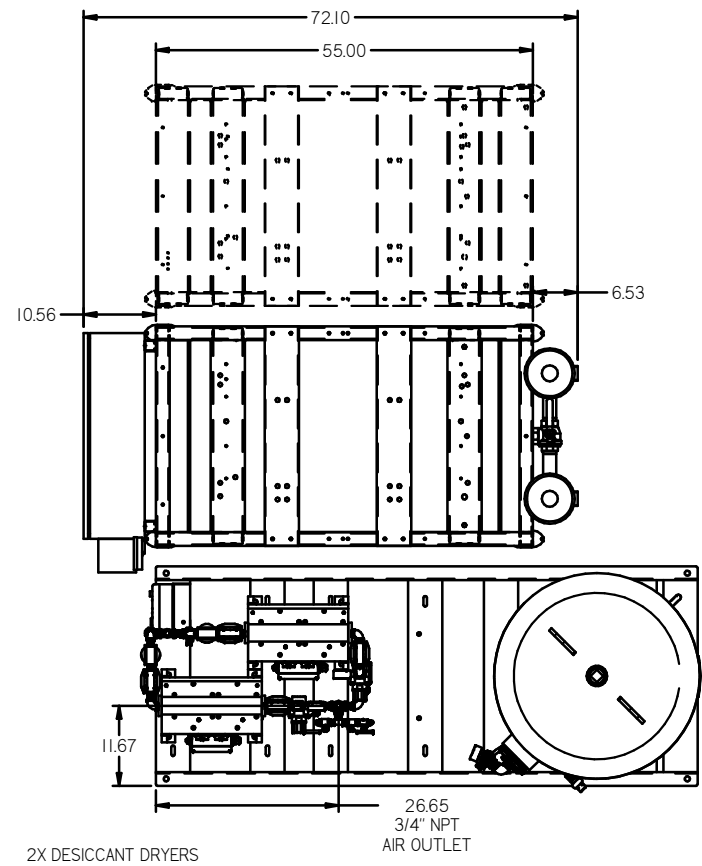


REV	ZONE	REVISION	DATE	ECN	NAME	CHKD
A	ALL	RELEASE TO PRODUCTION	9/18/19	PREC251	GES	MAH



VIEW A-A  
-----



200GAL ASME RECEIVER  
INTERNALLY LINED  
SEE 3D MODEL ID# 721887  
FOR PLUMBING DETAIL

12X1 7.5HP OILLESS  
RECIP PUMP  
BASIC CONTROL  
PANEL  
PRM315 SERIES

12X1 AFTERCoolER

EXPANSION UNIT

2X DESICCANT DRYERS  
W/ PRE-FILTERS & AFTER-FILTERS.  
CARBON FILTERS ARE OPTIONAL.  
SEE 3D MODEL ID# 722271  
FOR PLUMBING DETAIL

DEW POINT  
MONITOR  
CO MONITOR

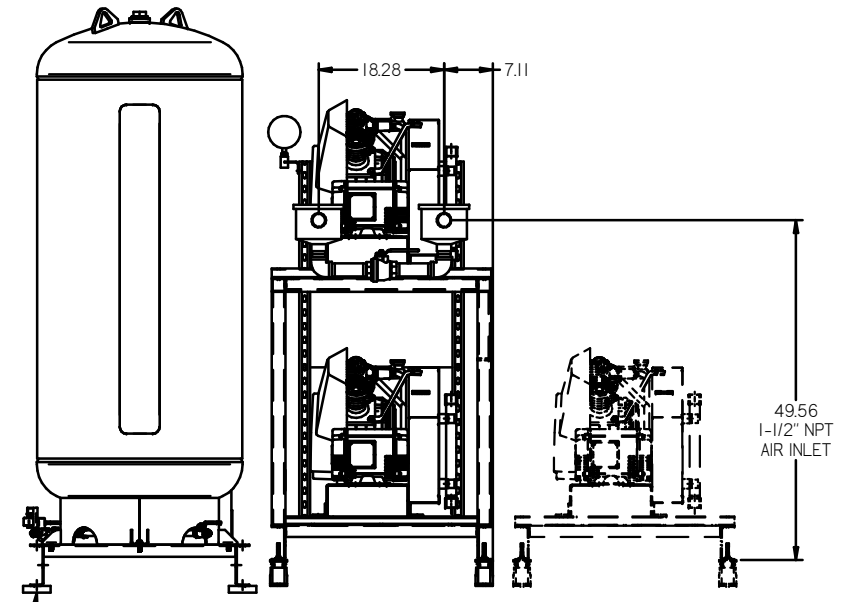
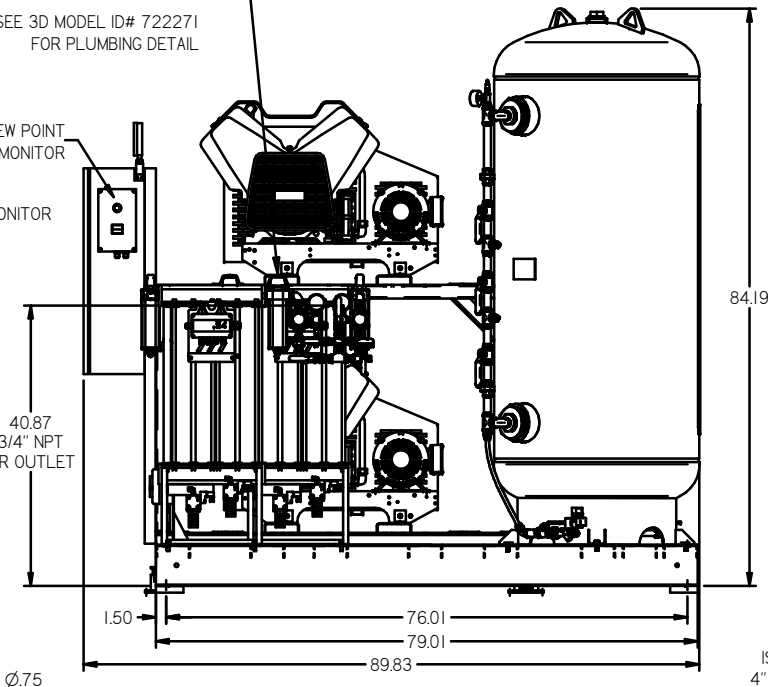
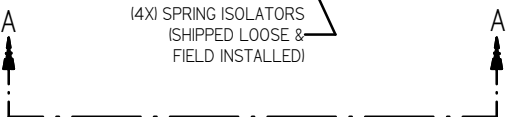
14X1 SPRING ISOLATORS  
(SHIPPED LOOSE &  
FIELD INSTALLED)

40.87  
3/4" NPT  
AIR OUTLET

26.65  
3/4" NPT  
AIR OUTLET

ISOLATION PADS  
4" X 4" X 1"(QTY.4)

49.56  
1-1/2" NPT  
AIR INLET

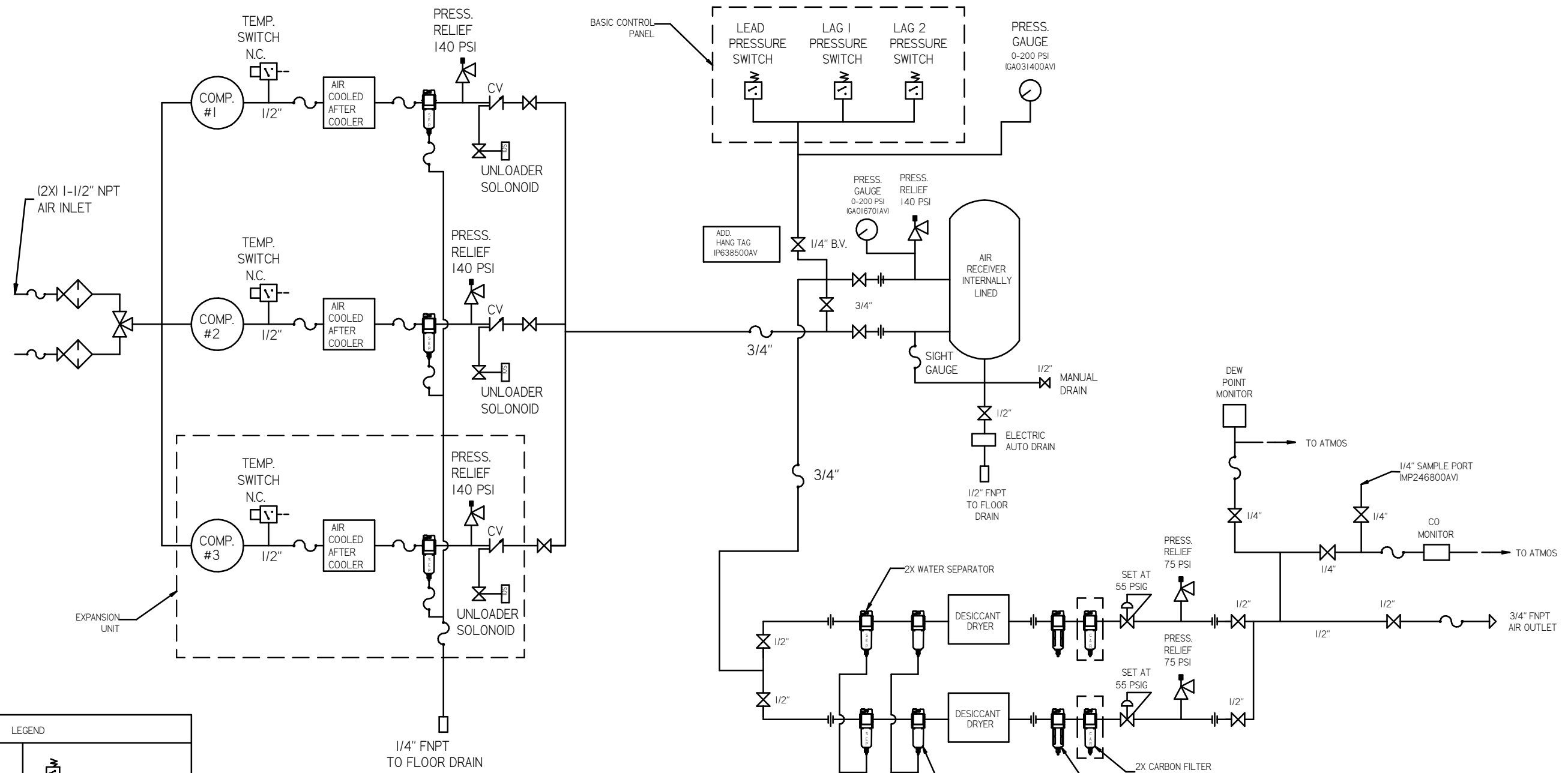


NOTE: A MINIMUM OF 24" CLEARANCE IS  
RECOMMENDED AROUND THE ENTIRE UNIT.

NOTE: SYSTEM DESIGNED IN  
COMPLIANCE WITH U.S. NFPA '99,  
LATEST EDITION.

MINUS DRAFT PLUS DRAFT TOLERANCES NOT SPECIFIED XX ± XXX ± Z DEC ±	ADDITIONAL CONTROL REQ'D BRINELL HARDNESS	Drawings to conform to the current revision of the following ASME standards: Y42.2 Welds and sectional view sym. Y42.30 Dimensioning and tolerancing
AUTOCAD SE10 INCH	DO NOT SCALE DRAWING FOR DIMENSIONS Sheet 1 of 2 SCALE 1:14	
CONFIDENTIAL DISCLOSURE This drawing is the property of POWEREX, INC. of the SCOTT FELTZER COMPANY and subject to return on demand. Its contents are confidential and must not be copied or submitted to outside parties for use or reproduction.	DRAWN BY GES	CHECKED BY MAH
MATERIAL N/A	APPROVED BY GES	DATE 9/18/19
PART NAME DUPLEX-EX3 OILLESS RECIP. 7.5HP 200GAL BASEMOUNT DUPLEX DESICCANT		DATE 9/18/19
DWG NO MPD0608-EX3	SIZE D	DATE 9/18/19

REV	ZONE	REVISION	DATE	EN	NAME	CHKD
1	FULL	RELEASE TO PRODUCTION	9/18/19	RES	RES	RES



LEGEND	
	RELIEF VALVE
	INTAKE FILTER
	AIR FILTER
	3 WAY VALVE
	CARBON FILTER
	BALL VALVE
	SOLENOID VALVE
	PRESSURE SWITCH
	REGULATOR
	SEPARATOR
	CHECK VALVE
	FLEX LINE
	HIGH TEMP SWITCH
	UNION

NOTES:  
 1) IF RESERVE COMPRESSOR IS ENERGIZED ALARM WILL OCCUR.  
 2) PIPING TO THE INLET BY OTHERS AND TO BE PER NFPA99  
 3) INSTRUMENTS DOWN STREAM OF SOURCE VALVE TO BE SUPPLIED BY OTHERS.

<small>TOLERANCES NOT SPECIFIED</small> XX ± XXX ± 2 DEG ±	AUTOCAD SET 10 <b>INCH</b>	DO NOT SCALE DRAWING FOR DIMENSIONS Sheet 2 of 2 SCALE 1:14
<small>CONFIDENTIAL PROPRIETARY</small> This drawing is the property of POWEREX INC. of the SCOTT FELTZER COMPANY and subject to return on demand. Its contents are confidential and must not be copied or submitted to outside parties for use or examination.		APPROVED BY: RES/RES/RES/RES 9/18/19 9/18/19 9/18/19 9/18/19
MATERIAL: N/A		 155 PRODUCTION DRIVE, HARRISON, OHIO 45030 TEL: 502-762-7076 FAX: 513-261-3325
PART NAME: DUPLEX-EX3 OIL-LESS RECIP 7.5HP MEDICAL PACKAGE BASIC FLOW SCHEMATIC		
Dwg No: MPD0608-EX3		SIZE: D

8

7

6

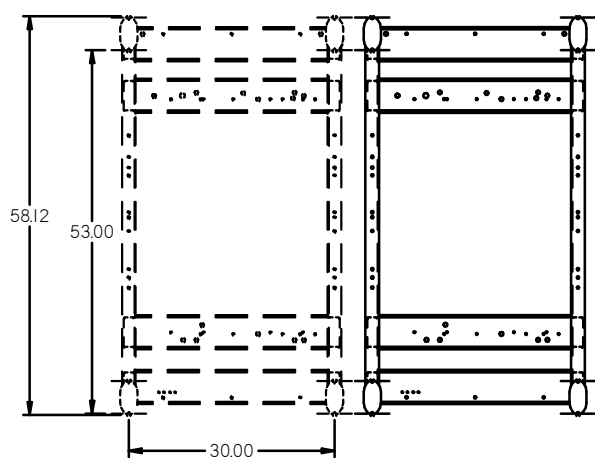
5

4

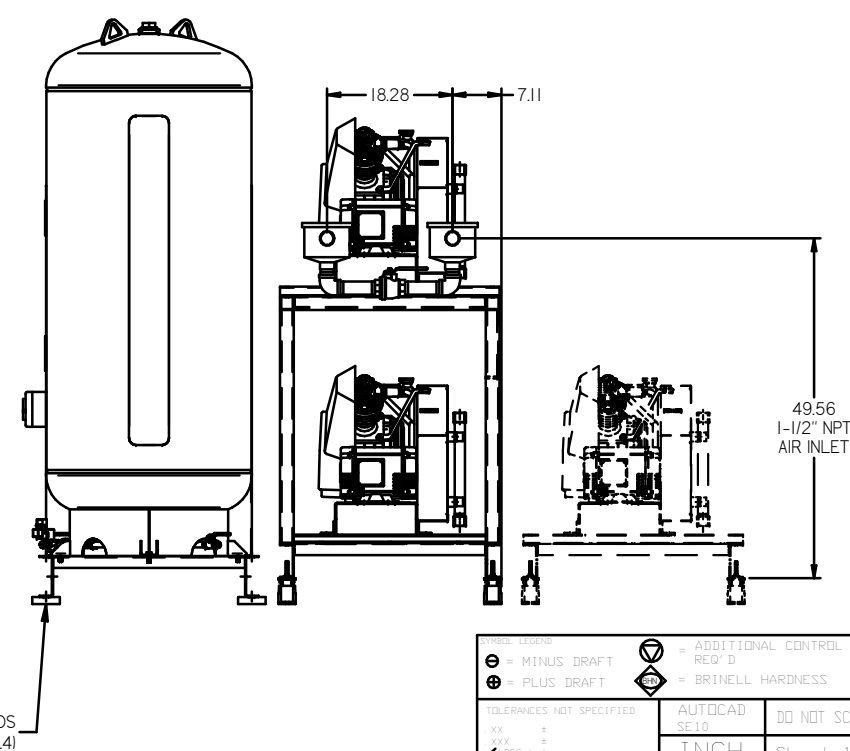
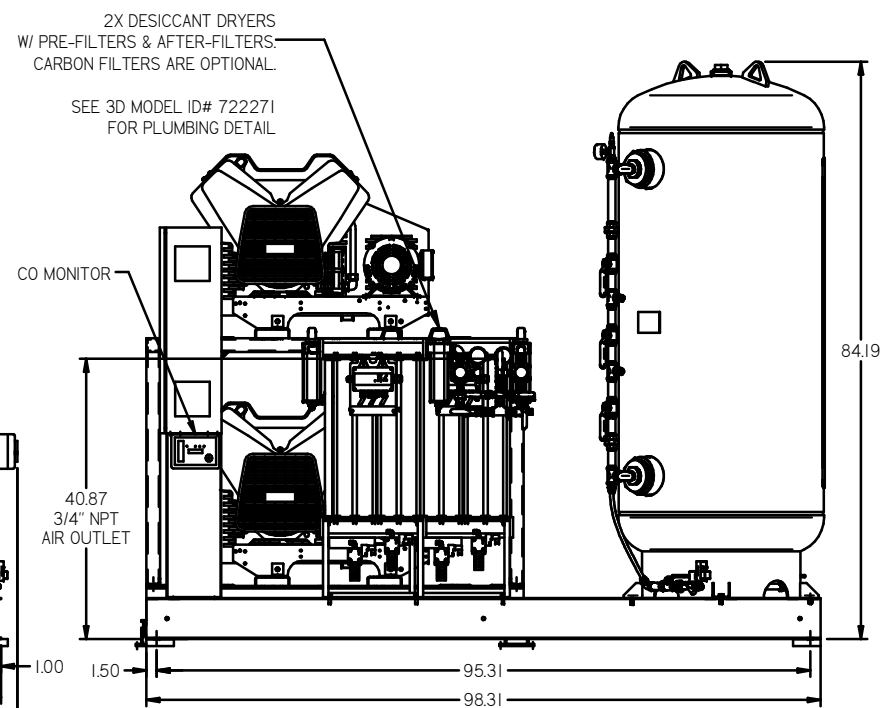
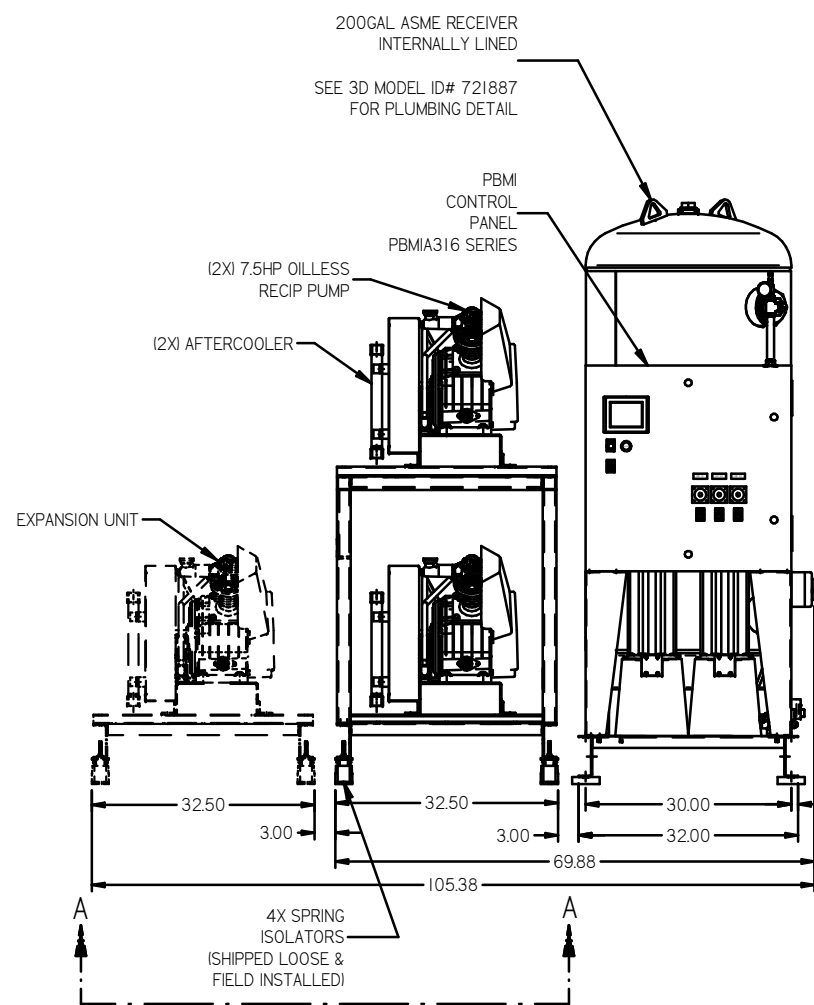
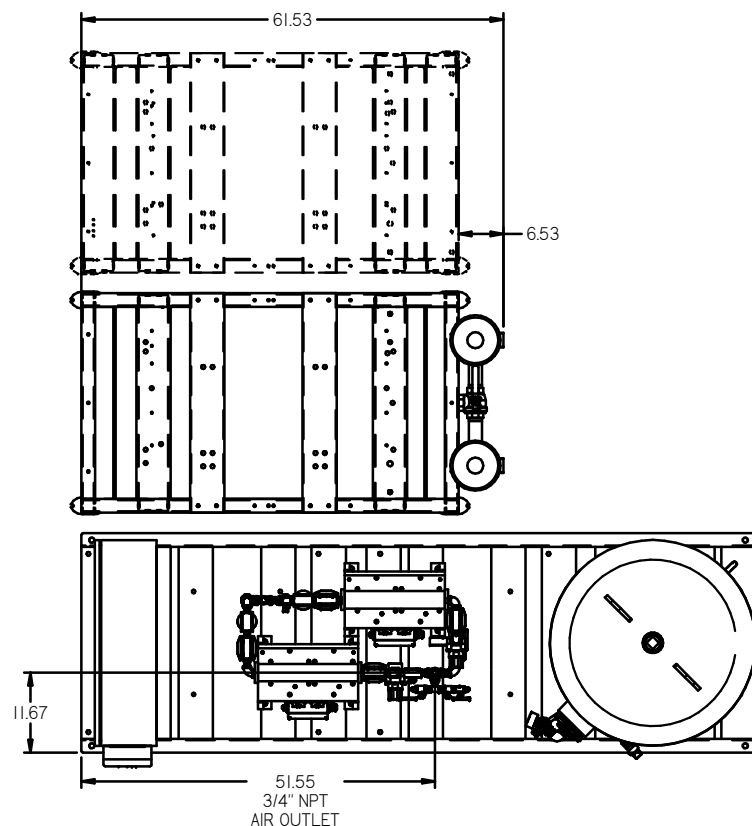
3

2

REV	ZONE	REVISION	DATE	ECN	NAME	CHKD
1	1	RELEASE TO PRODUCTION	9/18/19		GES	MAH



VIEW A-A



ISOLATION PADS 4" X 4" X 1" (QTY.4)

NOTE: A MINIMUM OF 24" CLEARANCE IS RECOMMENDED AROUND THE ENTIRE UNIT.

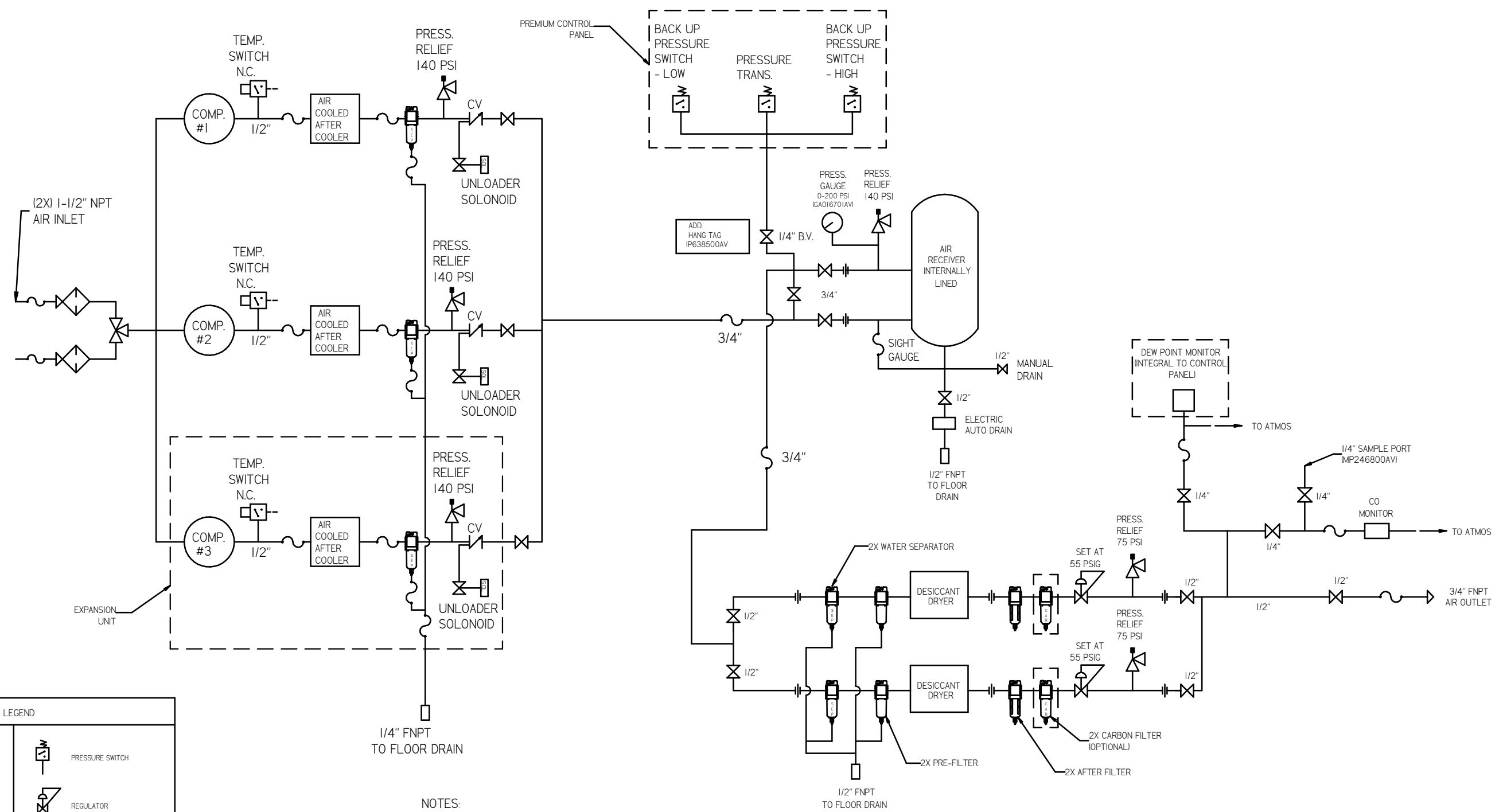
NOTE: SYSTEM DESIGNED IN COMPLIANCE WITH U.S. NFPA '99, LATEST EDITION.

TOLERANCES NOT SPECIFIED XX ± X DEG ±	AUTOCAD SE 1.0 INCH	DO NOT SCALE DRAWING FOR DIMENSIONS Sheet 1 of 2 SCALE 1:14
MATERIAL N/A PART NAME DUPLEX-EX3 OILLESS RECIP. 7.5HP 200GAL BASEMOUNT DUPLEX DESICCANT	DRAWN BY GES 9/18/19	CHECKED BY MAH 9/18/19
DWG NO MPD0608-EX3	APPROVED BY ENGINEERING MFG/DRG/CT 9/18/19	APPROVED BY ENGINEERING MFG/DRG/CT 9/18/19



MPD0608-EX3 D

REV	ZONE	REVISION	DATE	EDN	NAME	CHKD
A	ALL	RELEASE TO PRODUCTION	9/18/19	REC229	GES	MAH



LEGEND	
	RELIEF VALVE
	INTAKE FILTER
	AIR FILTER
	3 WAY VALVE
	CARBON FILTER
	BALL VALVE
	SOLENOID VALVE
	PRESSURE SWITCH
	REGULATOR
	SEPARATOR
	CHECK VALVE
	FLEX LINE
	HIGH TEMP SWITCH
	UNION

NOTES:  
 1) IF RESERVE COMPRESSOR IS ENERGIZED ALARM WILL OCCUR.  
 2) PIPING TO THE INLET BY OTHERS AND TO BE PER NFPA99  
 3) INSTRUMENTS DOWN STREAM OF SOURCE VALVE TO BE SUPPLIED BY OTHERS.

TOLERANCES NOT SPECIFIED XX ± XXX ± XXX ±	AUTOCAD SE10 <b>INCH</b>	DO NOT SCALE DRAWING FOR DIMENSIONS Sheet 2 of 2 SCALE 1:14
CONFIDENTIAL DISCLOSURE This drawing is the property of POWEREX, Inc. or the SCOTT FELZER COMPANY and subject to return on demand. The contents are confidential and must not be copied or submitted to outside parties for use or reproduction.		
DRAWN BY: GES CHECKED BY: MAH 9/18/19	APPROVED BY: [Signature] 9/18/19	DATE: 9/18/19 NAME: CT 9/18/19
MATERIAL: N/A		 100-800-7376 FAX (510) 367-5125
PART NAME: DUPLEX-EX3 OIL-LESS RECIP 7.5HP MEDICAL PACKAGE PREMIUM FLOW SCHEMATIC		
DWG NO: MPD0608-EX3		SIZE: D