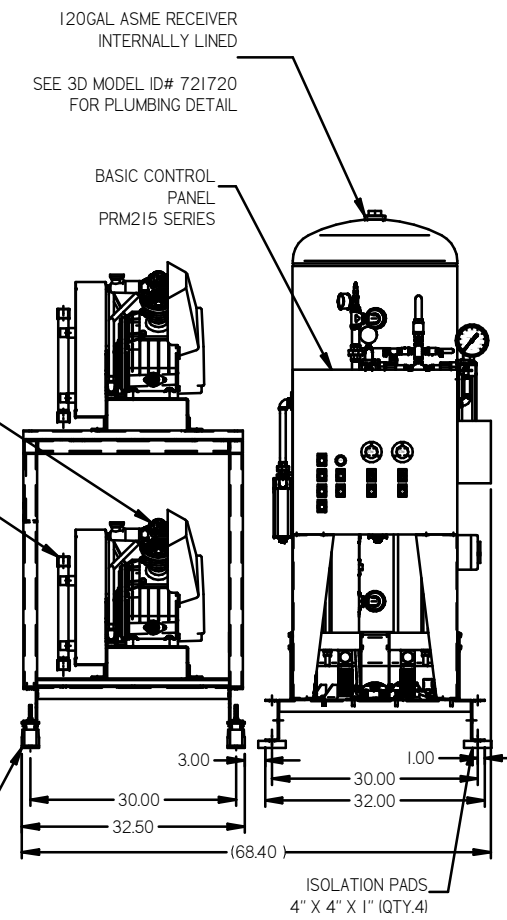
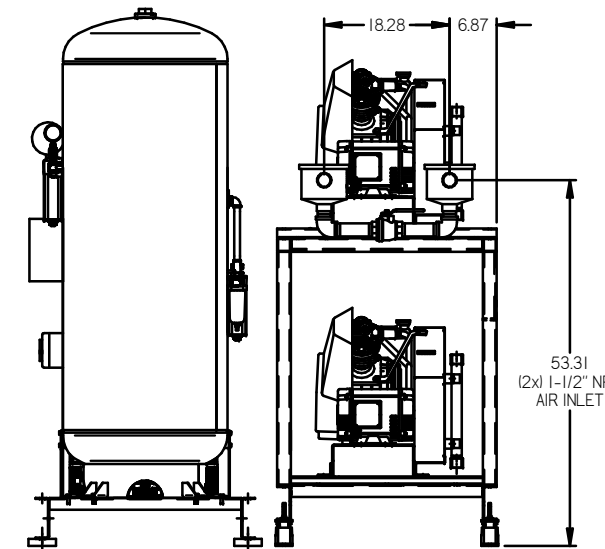
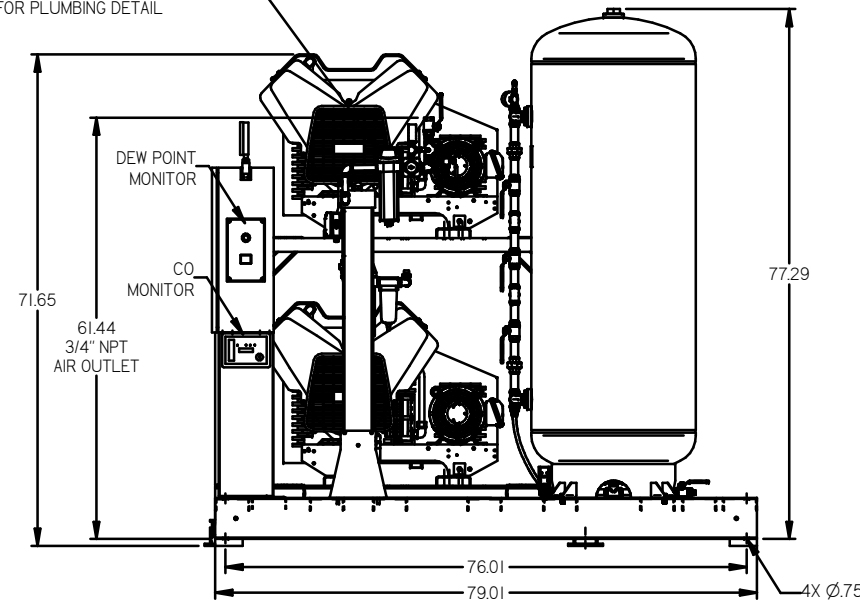
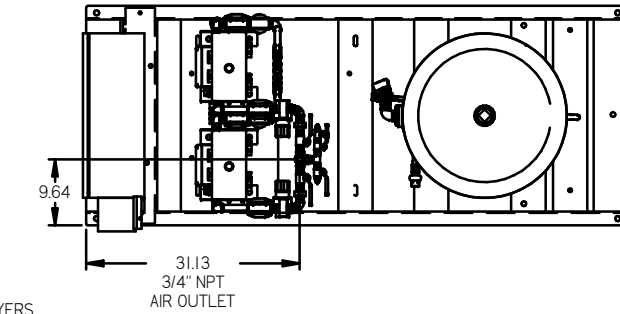
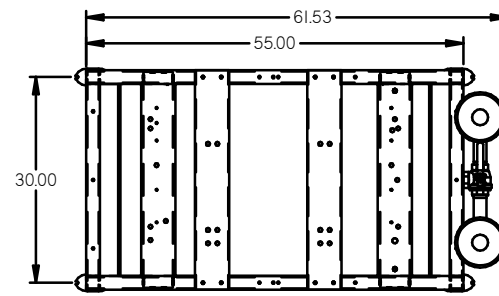
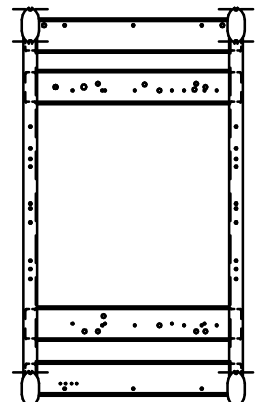


NOTE: A MINIMUM OF 24" CLEARANCE IS RECOMMENDED AROUND THE ENTIRE UNIT.

REV	ZONE	REVISION	DATE	ECN	NAME	CHKD
B-	ALL	RELEASED TO PRODUCT ECU	11/30/10	00007	AEK	GES
C-I	ALL	ADDED PRM SHEETS	09/01/11	22809	AEK	GES
D-I	1 ALL	REMOVED AFTERCOOLER BRACKETS	02/15/11	PRECO099	MJD	GES
E-I	2 05	REMOVED SLUICER VALVE	01/20/16	PRECO133	MJD	AEK
F-I	1 ALL	CHANGED TO NEW BG DESIGN	07/06/16	PRECO132	AEK	GES
G-I	1 ALL	CHANGED BASIC TANK ORIENTATION	02/17/17	PRECO211	MJD	GES
H	ALL	CHANGED TO TREAT ORDER, MORGANTON TANK, UPDATED TO TEAM CENTER	02/01/19	PRECO300	GES	MMH



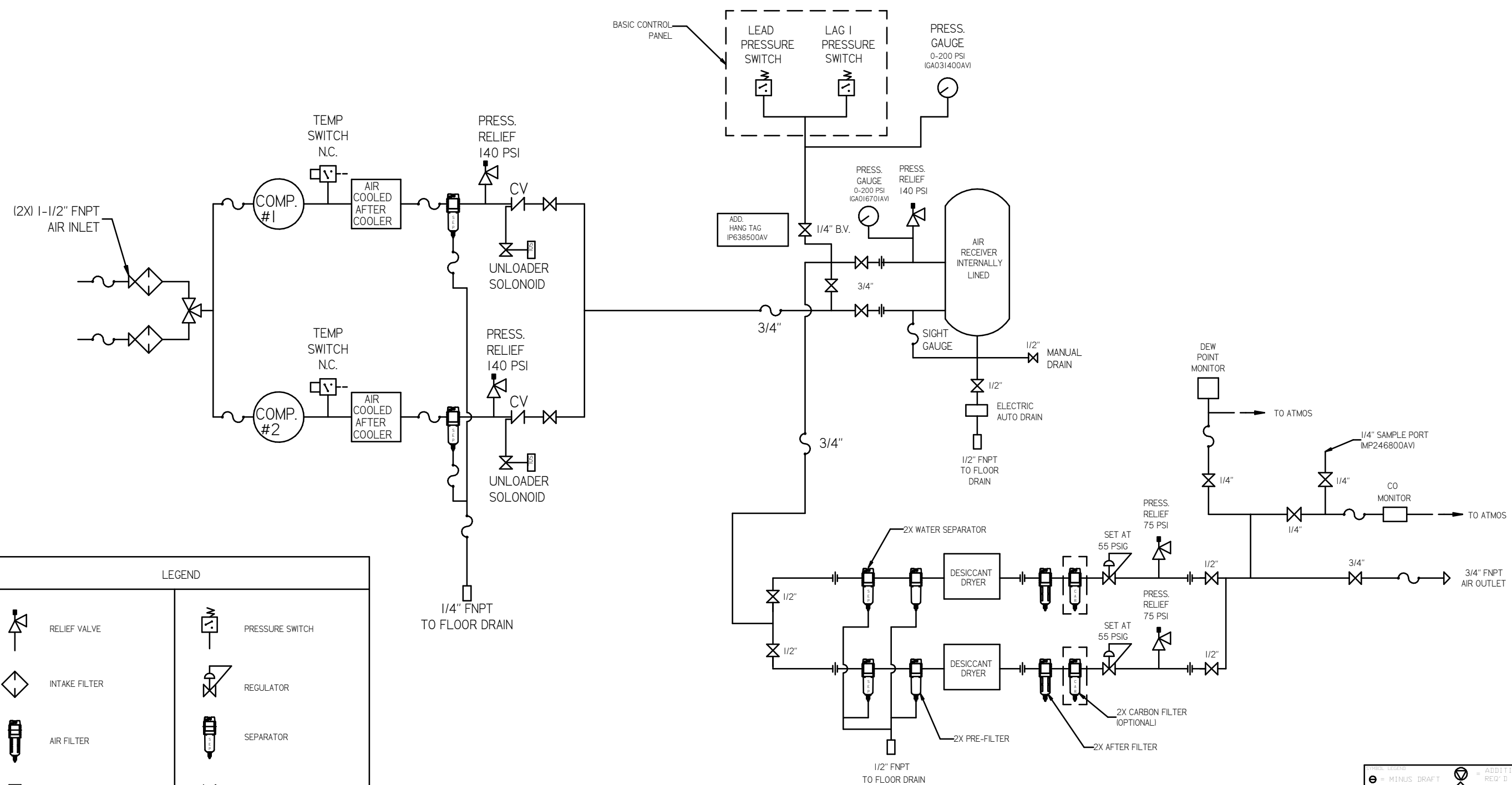
2X DESICCANT DRYERS W/ PRE-FILTERS & AFTER-FILTERS. CARBON FILTERS ARE OPTIONAL. SEE 3D MODEL ID# 722923 FOR PLUMBING DETAIL.



NOTE: SYSTEM DESIGNED IN COMPLIANCE WITH U.S. NFPQ '99, LATEST EDITION.

<p>MINUS DRAFT</p> <p>PLUS DRAFT</p> <p>ADDITIONAL CONTROL REQ'D</p> <p>BRINELL HARDNESS</p>	<p>TOLERANCES NOT SPECIFIED</p> <p>XX ±</p> <p>XXX ±</p> <p>REF. ±</p>	<p>AUTOCAD</p> <p>REL2008 LT</p> <p>INCH</p>	<p>DO NOT SCALE DRAWING FOR DIMENSIONS</p> <p>Sheet 1 of 2</p> <p>SCALE 1:10</p>
<p>CONFIDENTIAL DISCLOSURE</p> <p>This drawing is the property of the POWEREX INC. or the SCOTT FETZER COMPANY and subject to return on demand. The contents are confidential and must not be copied or submitted to outside parties for use or evaluation.</p>		<p>DRAWN BY</p> <p>CHECKED BY</p> <p>APPROVED BY</p>	<p>11/30/10</p> <p>11/30/10</p> <p>11/30/10</p> <p>11/30/10</p>
<p>MATERIAL</p> <p>N/A</p>		<p>POWEREX</p> <p>7.5HP 120 GAL BASEMOUNT DUPLEX DESICCANT</p>	
<p>PART NAME</p> <p>DUPLEX OILLESS RECIP 7.5HP 120 GAL BASEMOUNT DUPLEX DESICCANT</p>		<p>DWG NO</p> <p>MPD0608X5</p>	<p>SIZE</p> <p>D</p>

REV	ZONE	REVISION	DATE	ECN	NAME	CHKD
B-1	ALL	RELEASE TO PRODUCTION	11/30/10	05403	AEK	GES
C3	ALL	ADDED PDM SHEETS	04/01	22909	AEK	GES
D-1	1 ALL	REMOVED AFTER-COOLER BRACKETS	4/2/15	PREC0093	MJD	AEK
E-1	2 05	REMOVED SUBLER VALVE	03/01/16	PREC0131	MJD	AEK
F-1	1 ALL	CHANGED TO NEW BG DESIGN	7/14/16	PREC0132	AEK	GES
G-1	1 ALL	CHANGED BASIC TANK ORIENTATION	6/27/17	PREC0211	MJD	AEK
H-1	ALL	CHANGED TO TREAT DRYER, MOUNTAIN TANK, UPDATED TO TEAM CENTER	8/29/19	PREC0209	GES	MJD



LEGEND

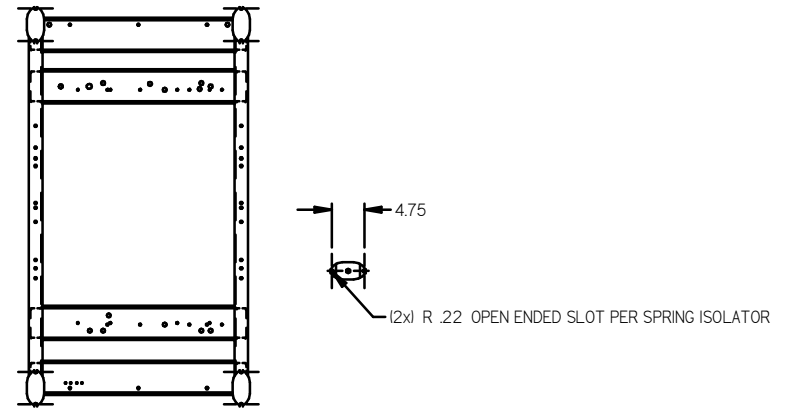
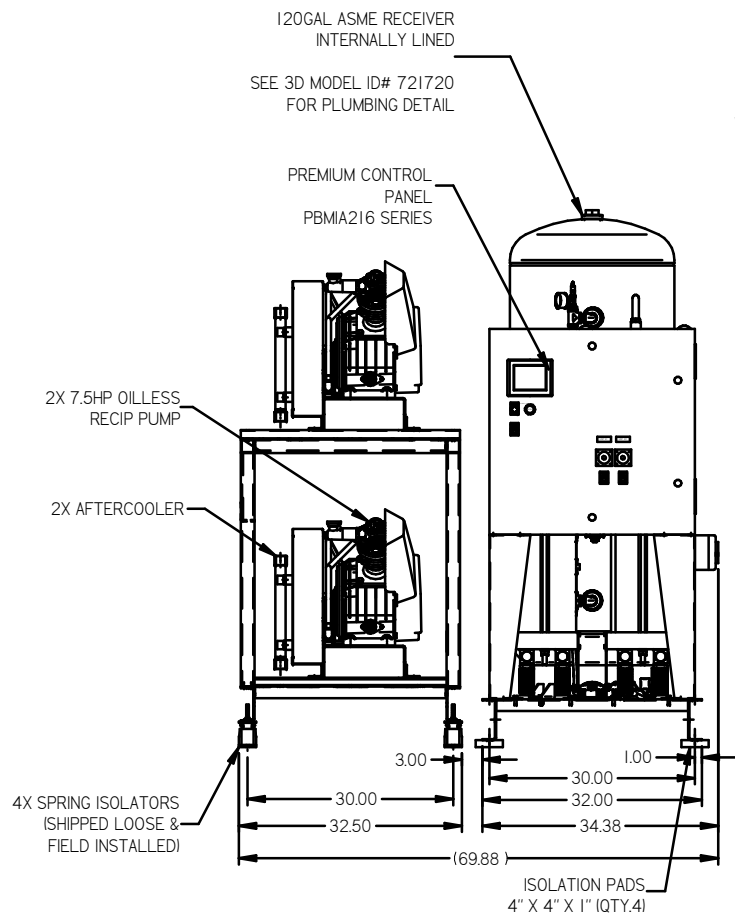
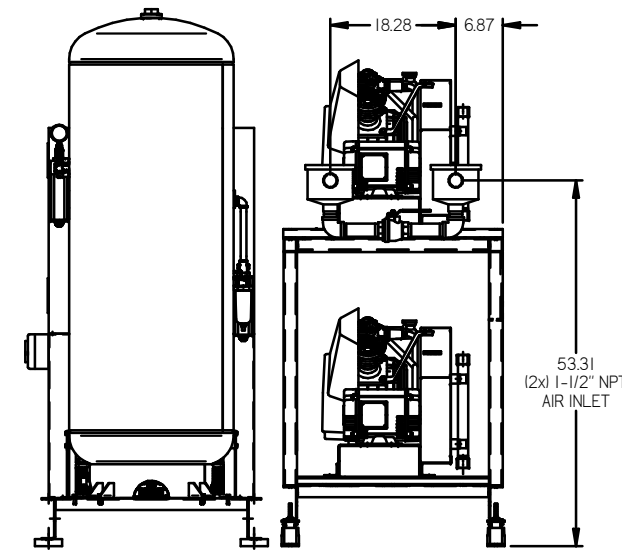
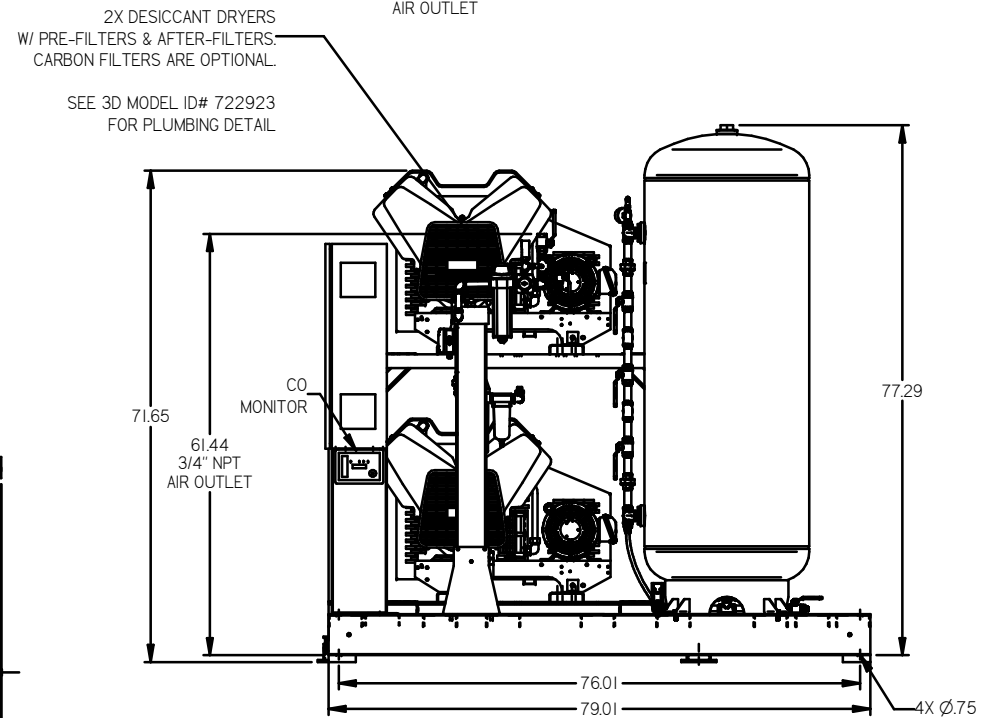
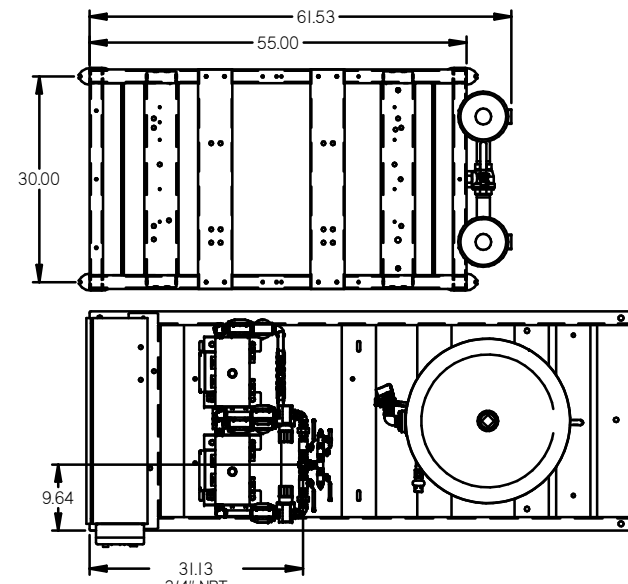
	RELIEF VALVE		PRESSURE SWITCH
	INTAKE FILTER		REGULATOR
	AIR FILTER		SEPARATOR
	3 WAY VALVE		CHECK VALVE
	CARBON FILTER		FLEX LINE
	BALL VALVE		HIGH TEMP SWITCH
	SOLENOID VALVE		UNION

NOTES:
 1) IF RESERVE COMPRESSOR IS ENERGIZED ALARM WILL OCCUR.
 2) PIPING TO THE INLET BY OTHERS AND TO BE PER NFPA99
 3) INSTRUMENTS DOWN STREAM OF SOURCE VALVE TO BE SUPPLIED BY OTHERS.

MINUS DRAFT PLUS DRAFT	ADDITIONAL CONTROL REQ'D BRINELL HARDNESS	Drawings to conform to the current revision of the following standards: ASME Y14.3 Multi-view and sectional view drawings ASME Y14.5 Dimensioning and tolerancing
TOLERANCES NOT SPECIFIED XX ± .005 XXX ± .010 XXXX ± .015	AUTOCAD REL2008 LT INCH	DO NOT SCALE DRAWING FOR DIMENSIONS Sheet 2 of 2 SCALE 1:10
CONFIDENTIAL DISCLOSURE This drawing is the property of the POWEREX, Inc. of the SCOTT FETZER COMPANY and subject to return on demand. Its contents are confidential and must not be copied or submitted to outside parties for use or reproduction.		DRAWN BY: AEK CHECKED BY: GES APPROVED BY: DMS DATE: 11/30/10, 1/25/10, 1/30/10, 1/30/10
MATERIAL: N/A		
PART NAME: DUPLEX OILLESS RECIP MEDICAL PACKAGE FLOW SCHEMATIC		Dwg No: MPD0608X5 SIZE: D

NOTE: A MINIMUM OF 24" CLEARANCE IS RECOMMENDED AROUND THE ENTIRE UNIT.

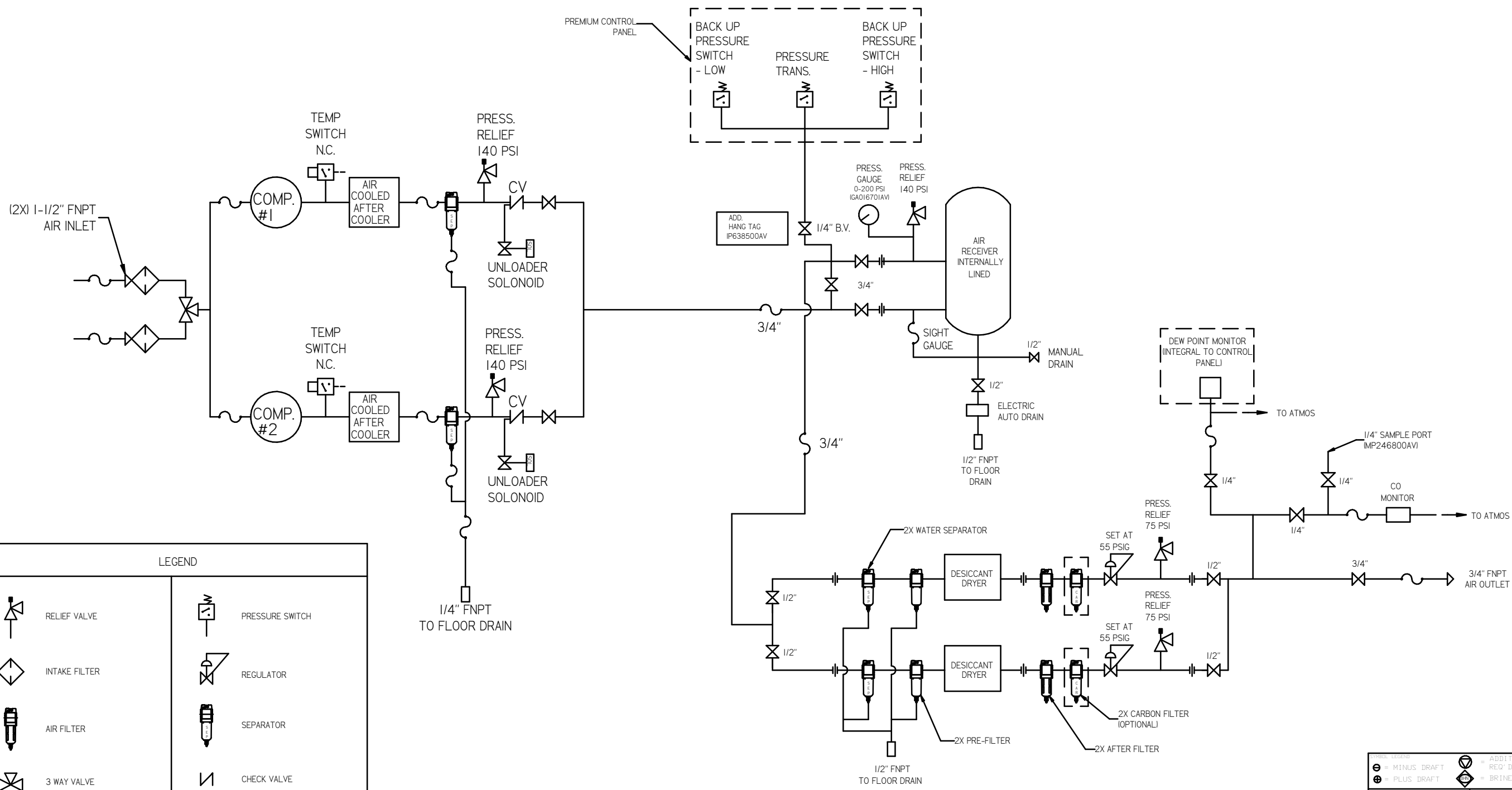
REV	ZONE	REVISION	DATE	ECN	NAME	CHKD
0-1	ALL	ISSUED FROM SHEETS	9/14/11	0000	AEK	GES
0-1	FALL	REMOVED AFTERCOOLER BRACKETS	4/2/15	PREC0093	MJD	GES
0-4	205	REMOVED SHLEBER VALVE	09/20/18	PREC0351	MJD	AEK
1-1	FALL	CHANGED TO NEW BS DESIGN	7/14/16	PREC0192	AEK	GES
0-4	FALL	CHANGED BASIC TANK ORIENTATION	6/27/17	PREC0211	MJD	GES
0-1	ALL	CHANGED TO TRENCH DRYER, MOUNTAIN TANK, UPDATED TO TOW CENTER	8/20/19	PREC0309	GES	MJD



NOTE: SYSTEM DESIGNED IN COMPLIANCE WITH U.S. NFPA '99, LATEST EDITION.

MINUS DRAFT PLUS DRAFT TOLERANCES NOT SPECIFIED XX ± XXX ± (DEG) ±	AUTOCAD REL2008 LT INCH	ADDITIONAL CONTROL REG'D BRINELL HARDNESS	Drawings to conform to the current revision of the following ANSI standards: Y14.2 Multi and sectional view dgs. Y14.36 Dimensioning and tolerancing
DO NOT SCALE DRAWING FOR DIMENSIONS		Sheet 1 of 2	
SCALE 1:10		DRAWN BY: AEK CHECKED BY: GES APPROVED BY: BMS, RJR 9/14/11, 9/14/11, 9/14/11, 9/14/11	
MATERIAL: N/A PART NAME: DUPLEX OILLESS RECIP 7.5HP 120 GAL BASEMOUNT DUPLEX DESICCANT		POWEREX 150 PRODUCTION DRIVE, HARRISBURG, OHIO 45030 TEL: 608-765-7070 FAX: 608-765-7100	
DWG NO: MPD0608X5		SIZE: D	

REV	ZONE	REVISION	DATE	ECN	NAME	CHKD
C-1	ALL	ISSUE FROM SHEETS	9/14/11	00009	RES	RES
D-1	ALL	REMOVED AFTER-COOLER BRACKETS	4/2/15	PXC0093	MJD	GES
E-1	2DS	REMOVED SLUBBER VALVE	5/12/16	PXC0133	MJD	AEK
F-1	ALL	CHANGED TO NEW RG DESIGN	7/14/16	PXC0132	AEK	GES
G-1	ALL	CHANGED BASIC TANK ORIENTATION	6/27/17	PXC0211	MJD	GES
H	ALL	CHANGED TO TRESH DRYS, MORGANTON TANK UPDATED TO TANK CENTER	8/2/19	PXC03029	GES	MH



LEGEND

	RELIEF VALVE		PRESSURE SWITCH
	INTAKE FILTER		REGULATOR
	AIR FILTER		SEPARATOR
	3 WAY VALVE		CHECK VALVE
	CARBON FILTER		FLEX LINE
	BALL VALVE		HIGH TEMP SWITCH
	SOLENOID VALVE		UNION

NOTES:
 1) IF RESERVE COMPRESSOR IS ENERGIZED ALARM WILL OCCUR.
 2) PIPING TO THE INLET BY OTHERS AND TO BE PER NFPA99
 3) INSTRUMENTS DOWN STREAM OF SOURCE VALVE TO BE SUPPLIED BY OTHERS.

TOLERANCES NOT SPECIFIED XX ± X DEG ± 1/2 DEG ±		AUTOCAD RELEASED 1:1 INCH	DO NOT SCALE DRAWING FOR DIMENSIONS Sheet 2 of 2 SCALE 1:10
CONFIDENTIAL PROCEDURE This drawing is the property of the POWEREX INC. of the SCOTT FETZER COMPANY and subject to return on demand. The contents are confidential and must not be copied or submitted to outside parties for use or examination.		DRAWN BY: AEK CHECKED BY: GES 9/14/11	APPROVED BY: DMS, RJR 9/14/11, 9/14/11, 9/14/11
MATERIAL: N/A		 130 PRODUCTION DRIVE, HARRISON, OHIO 45030 PH: 502-762-7079 FAX: 513-362-3125	
PART NAME: DUPLEX OILLESS RECIP MEDICAL PACKAGE FLOW SCHEMATIC		DWG NO: MPO608X5	SIZE: D