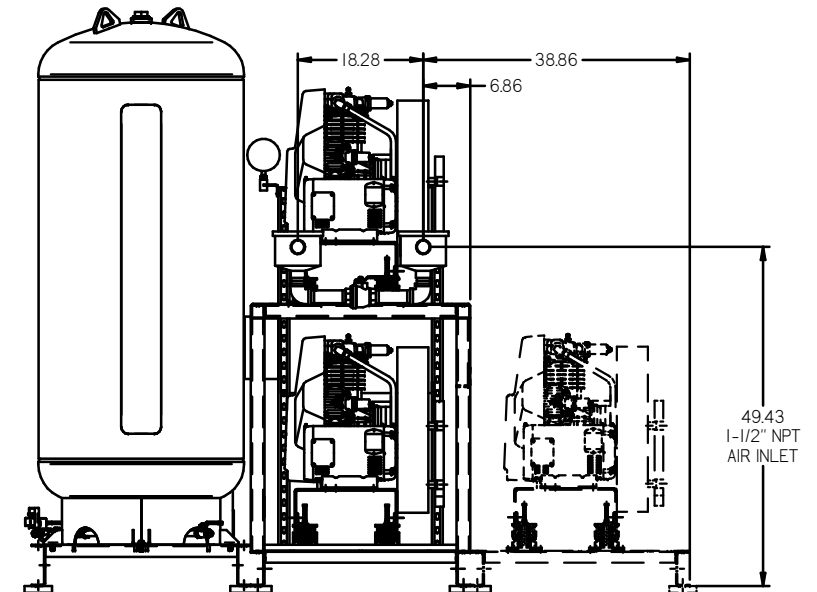
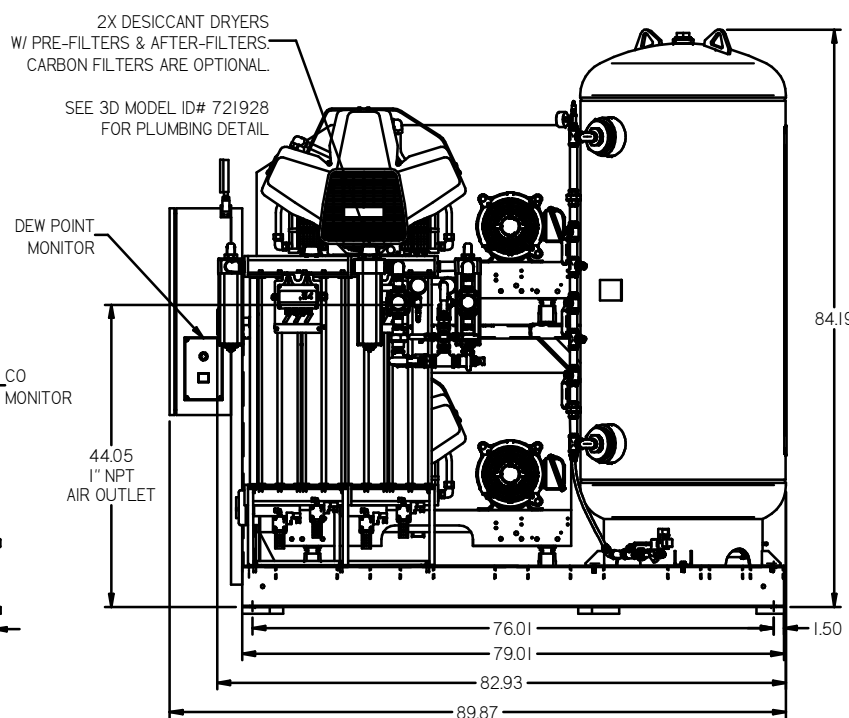
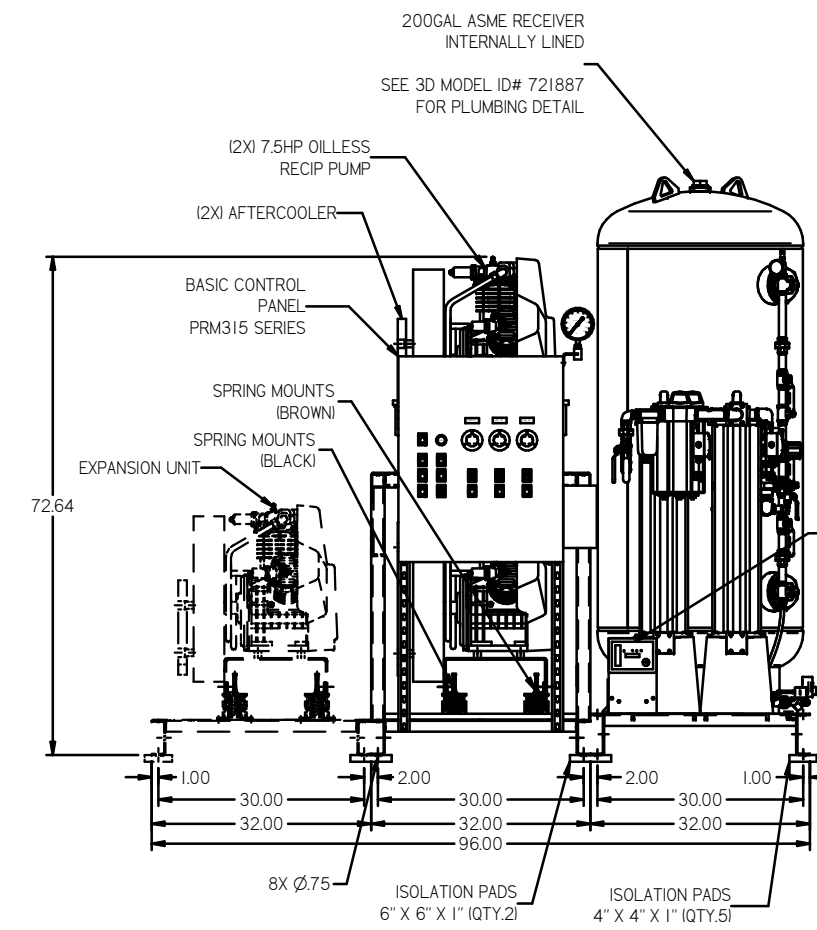
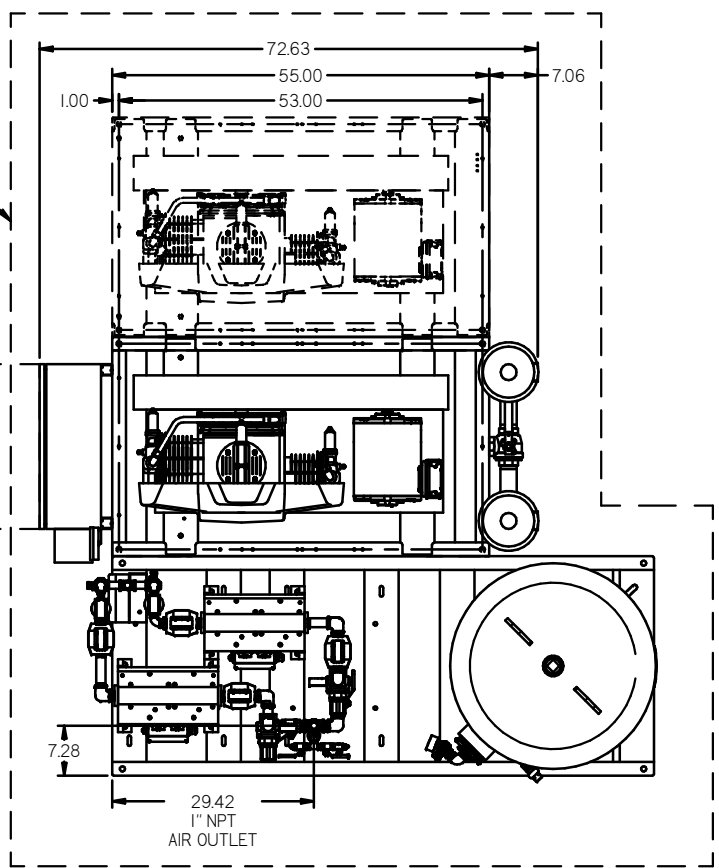


REV	ZONE	REVISION	DATE	ECN	NAME	CHKD
A	ALL	RELEASE TO PRODUCTION	09/19/19	MEC025	GES	MAH

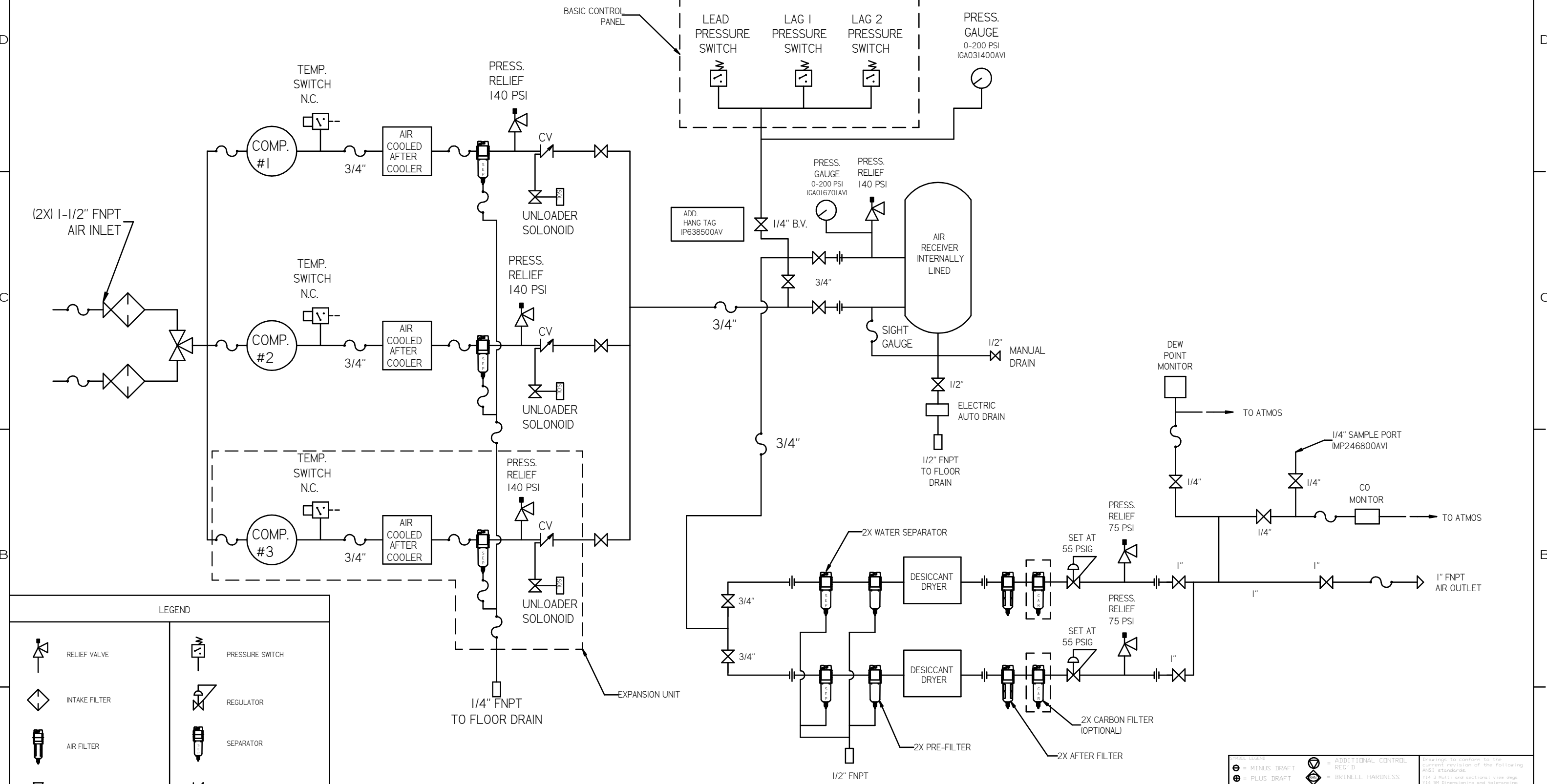


NOTE: A MINIMUM OF 24" CLEARANCE IS RECOMMENDED AROUND THE ENTIRE UNIT.

NOTE: SYSTEM DESIGNED IN COMPLIANCE WITH U.S. NFPA '99, LATEST EDITION.

MINUS DRAFT PLUS DRAFT TOLERANCES NOT SPECIFIED XX ± XXX ± Z DEG. ±	AUTOCAD SE10 INCH DO NOT SCALE DRAWING FOR DIMENSIONS Sheet 1 of 2 SCALE 1:14	ADDITIONAL CONTROL REQ'D BRINELL HARDNESS Drawings to conform to the following ANSI standards: Y14.3 Units and section 1 view dep Y14.5M Dimensioning and tolerancing
CONFIDENTIAL DISCLOSURE This drawing is the property of POWEREX, INC. of the SCOTT FEZEV COMPANY and subject to return on demand. Its contents are confidential and must not be copied or submitted to outside parties for use or disclosure.	DRAWN BY: GES CHECKED BY: MAH APPROVED BY: GES, CT 9/19/19, 9/19/19, 9/19/19	MATERIAL: N/A PART NAME: MED PACKAGE DUPLEX-EX3 7.5HP 200G DUPLEX DESICCANT DWG NO: MPD0758-EX3 SIZE: D

REV	ZONE	REVISION	DATE	ECN	NAME	CHKD
A	ALL	RELEASE TO PRODUCTION	9/19/19		RESERVED	RES



LEGEND

	RELIEF VALVE		PRESSURE SWITCH
	INTAKE FILTER		REGULATOR
	AIR FILTER		SEPARATOR
	3 WAY VALVE		CHECK VALVE
	CARBON FILTER		FLEX LINE
	BALL VALVE		HIGH TEMP SWITCH
	SOLENOID VALVE		UNION

NOTES:
 1) IF RESERVE COMPRESSOR IS ENERGIZED ALARM WILL OCCUR.
 2) PIPING TO THE INLET BY OTHERS AND TO BE PER NFPA99
 3) INSTRUMENTS DOWN STREAM OF SOURCE VALVE TO BE SUPPLIED BY OTHERS.

TOLERANCES NOT SPECIFIED XXX ± .XX (DEC) ±		AUTOCAD SE1.0 INCH	DO NOT SCALE DRAWING FOR DIMENSIONS Sheet 2 of 2 SCALE 1:14	
CONFIDENTIAL DISCLOSURE This drawing is the property of POWEREX Inc. of the SCOTT FETZER COMPANY and subject to return on demand. Its contents are confidential and must not be copied or submitted to outside parties for use or reproduction.		DOWN BY GES	CHECKED BY MAH	APPROVED BY RESERVED
MATERIAL N/A		9/19/19	9/19/19	9/19/19
PART NAME 7.5HP MED PACKAGE BASIC PANEL FLOW SCHEMATIC				
DWG NO MPD0758-EX3		SIZE D		

REV	ZONE	REVISION	DATE	ECN	NAME	DRG
A	ALL	RELEASE TO PRODUCTION	09/19/19	PREC25	GES	MAH

D

D

C

C

B

B

A

A

24" MINIMUM RECOMMENDED MAINTENANCE CLEARANCE

MINIMUM RECOMMENDED ELECTRICAL PANEL CLEARANCE PER OSHA/NEC REQUIREMENTS

200GAL ASME RECEIVER INTERNALLY LINED
SEE 3D MODEL ID# 721887 FOR PLUMBING DETAIL

12X 7.5HP OILLESS RECIP PUMP

12X AFTERCOOLER

PREMIUM CONTROL PANEL PBMA316 SERIES

SPRING MOUNTS (BROWN)

SPRING MOUNTS (BLACK)

EXPANSION UNIT

2X DESICCANT DRYERS W/ PRE-FILTERS & AFTER-FILTERS. CARBON FILTERS ARE OPTIONAL.
SEE 3D MODEL ID# 721928 FOR PLUMBING DETAIL

CO MONITOR

72.64

12X Ø.75

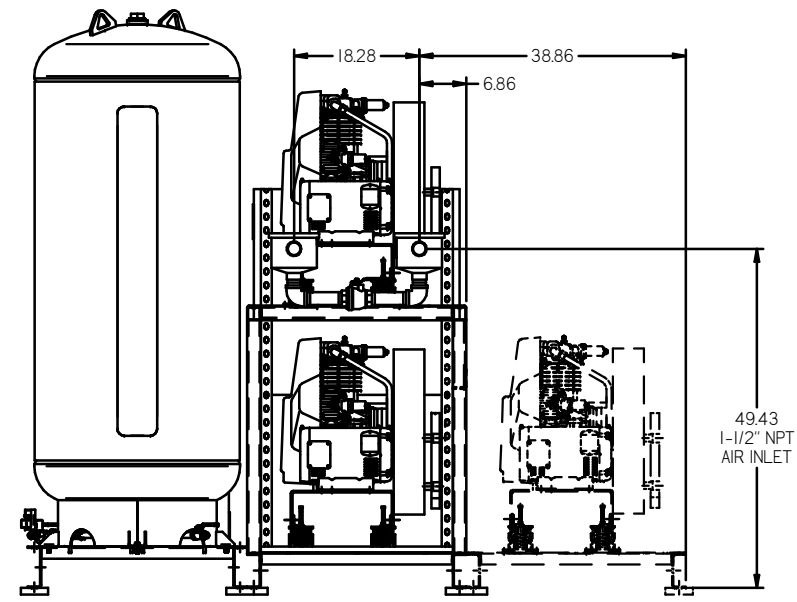
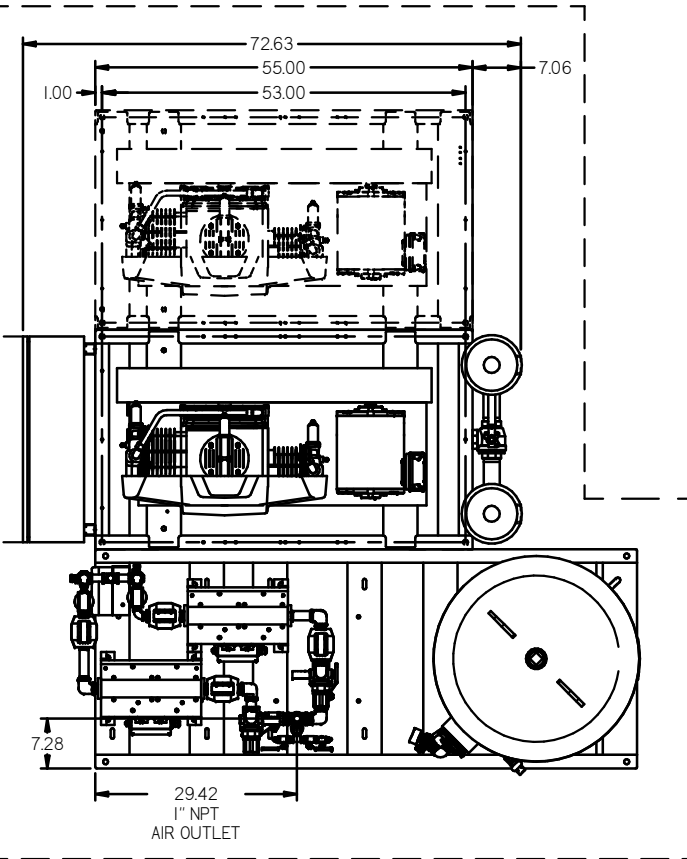
1.00 30.00 2.00 30.00 2.00 30.00 1.00
32.00 32.00 32.00 96.00

ISOLATION PADS 6" X 6" X 1" (QTY.2)

ISOLATION PADS 4" X 4" X 1" (QTY.5)

44.05 1" NPT AIR OUTLET

76.01 79.01 82.93 89.87 1.50 84.19

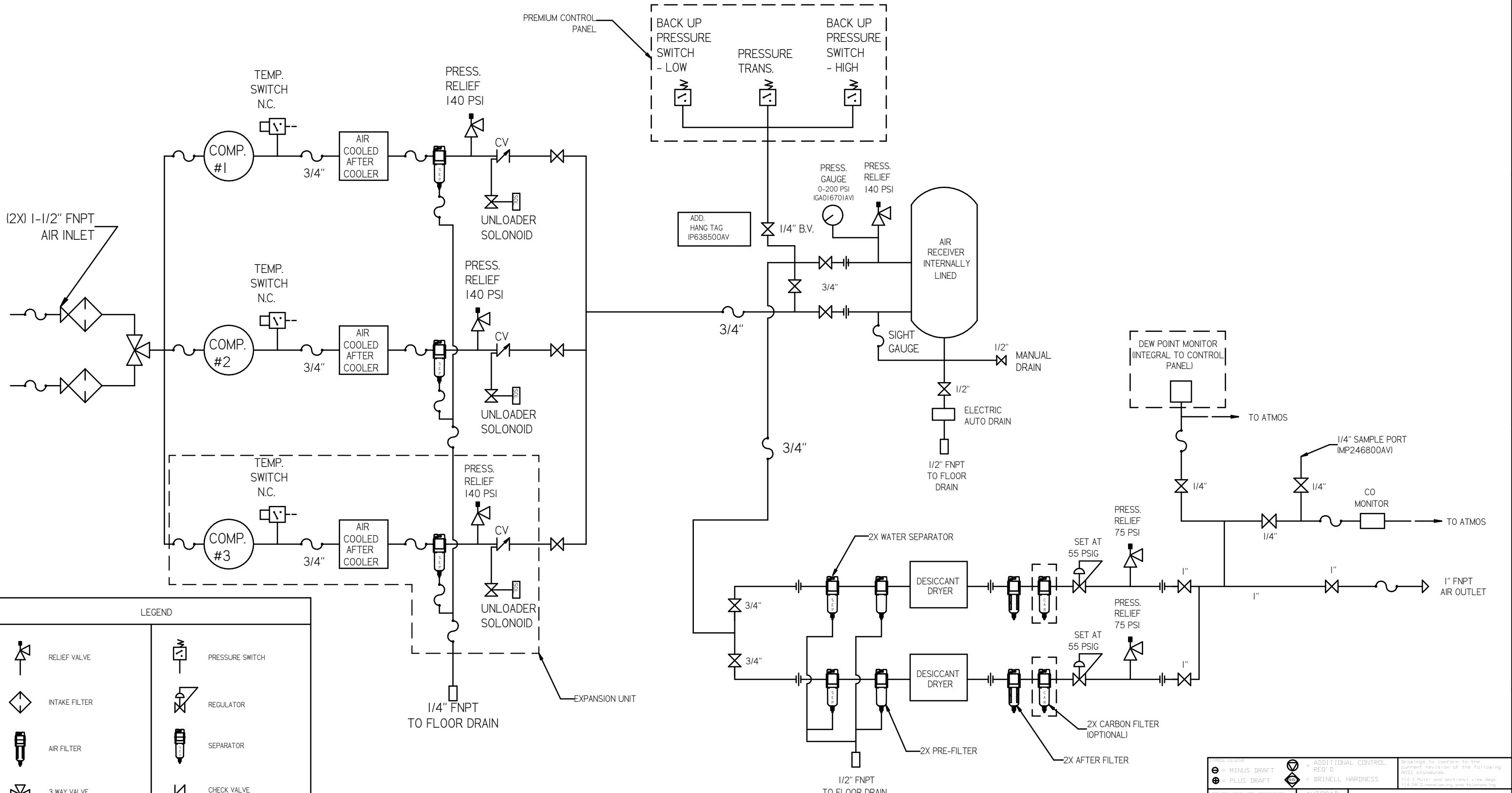


NOTE: A MINIMUM OF 24" CLEARANCE IS RECOMMENDED AROUND THE ENTIRE UNIT.

NOTE: SYSTEM DESIGNED IN COMPLIANCE WITH U.S. NFPA '99, LATEST EDITION.

SYMBOL LEGEND: ⊖ = MINUS DRAFT ⊕ = PLUS DRAFT ◊ = ADDITIONAL CONTROL REQ'D ◊ = BRINELL HARDNESS	TOLERANCES NOT SPECIFIED: .XX ± .XXX ± .4 DEC ±	AUTOCAD SE10 INCH	DO NOT SCALE DRAWING FOR DIMENSIONS Sheet 1 of 2 SCALE 1:14
CONFIDENTIAL DISCLOSURE: This drawing is the property of POWEREX INC. or the SCOTT FETZER COMPANY and subject to return on demand. Its contents are confidential and must not be copied or submitted to outside parties for use on any project.		DRAWN BY: GES CHECKED BY: MAH APPROVED BY: GES, CT	DATE: 9/19/19, 9/19/19, 9/19/19
MATERIAL: N/A		POWEREX THE QUALITY CONNECTION	
PART NAME: MED PACKAGE DUPLEX-EX3 7.5HP 200G DUPLEX DESICCANT		Dwg No: MPD0758-EX3 SIZE: D	

REV	ZONE	REVISION	DATE	ECN	NAME	QWD
A	ALL	RELEASE TO PRODUCTION	9/19/19	100001	GES	MAH



LEGEND	
	RELIEF VALVE
	INTAKE FILTER
	AIR FILTER
	3 WAY VALVE
	CARBON FILTER
	BALL VALVE
	SOLENOID VALVE
	PRESSURE SWITCH
	REGULATOR
	SEPARATOR
	CHECK VALVE
	FLEX LINE
	HIGH TEMP SWITCH
	UNION

NOTES:
 1) IF RESERVE COMPRESSOR IS ENERGIZED ALARM WILL OCCUR.
 2) PIPING TO THE INLET BY OTHERS AND TO BE PER NFPA99
 3) INSTRUMENTS DOWN STREAM OF SOURCE VALVE TO BE SUPPLIED BY OTHERS.

TOLERANCES NOT SPECIFIED XX ± .005 XX ± .010 XX ± .015 XX ± .030		AUTOCAD SE 10 INCH		DO NOT SCALE DRAWING FOR DIMENSIONS Sheet 2 of 2 SCALE 1:14	
MATERIAL N/A		PART NAME 7.5HP MED PACKAGE PREMIUM PANEL FLOW SCHEMATIC			
DWG NO MPO0758-EX3		SIZE D		DATE 9/19/19	