

8

7

6

5

4

3

2

REV	ZONE	REVISION	DATE	ECN	NAME	CHKD
A	ALL	RELEASE TO PRODUCTION	6/26/19		MAH	MAH

D

D

C

C

B

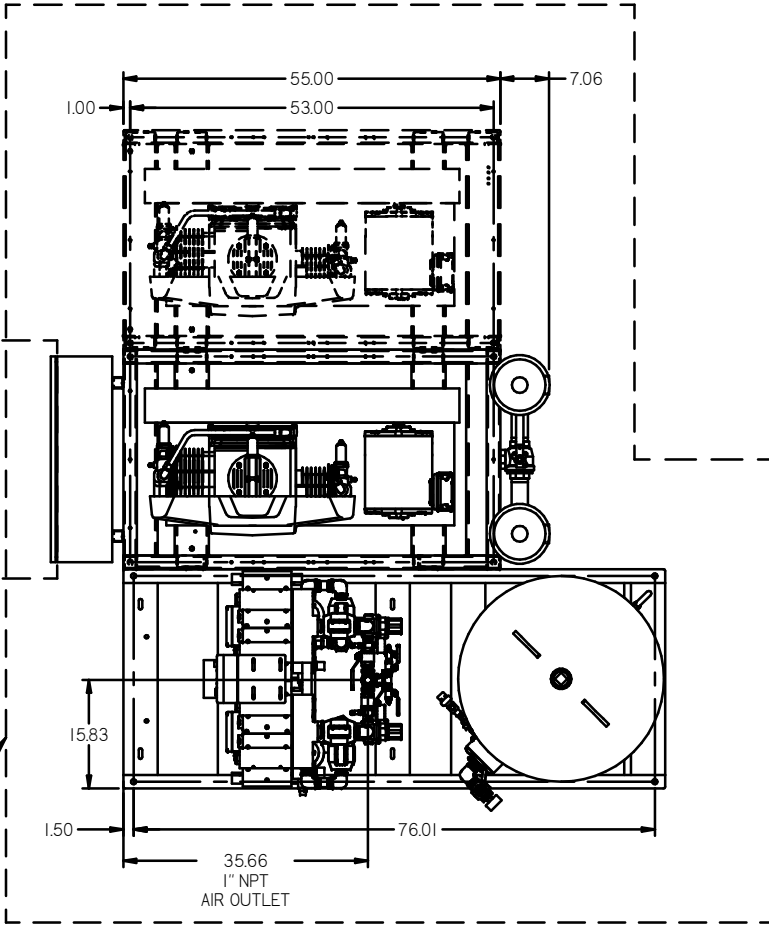
B

A

A

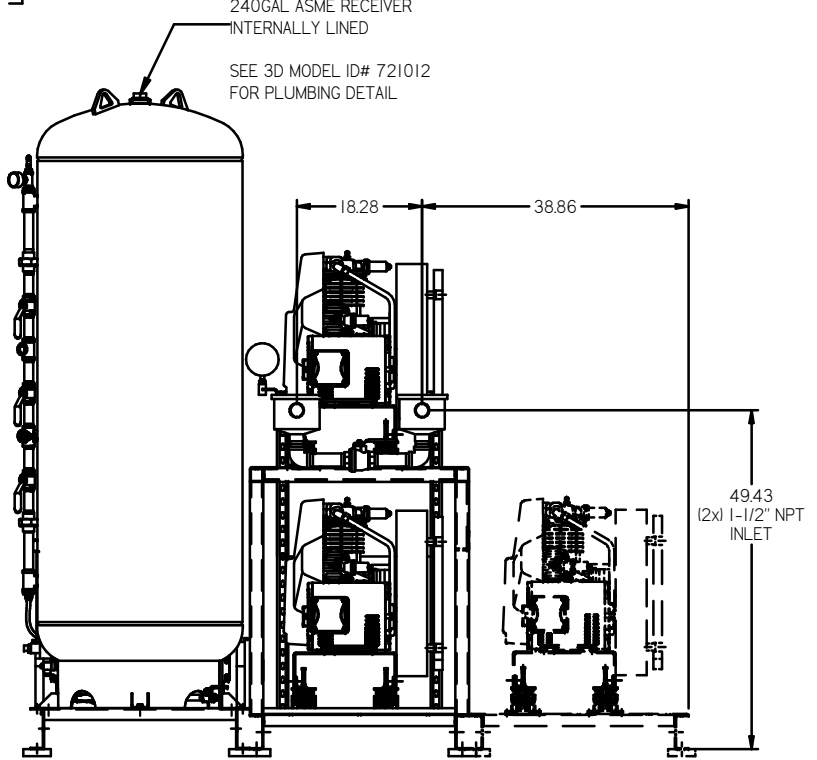
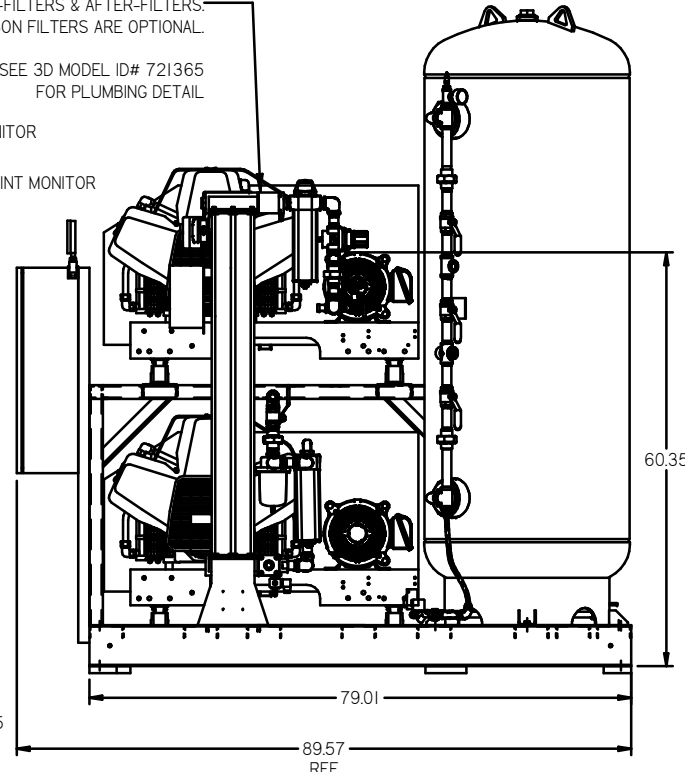
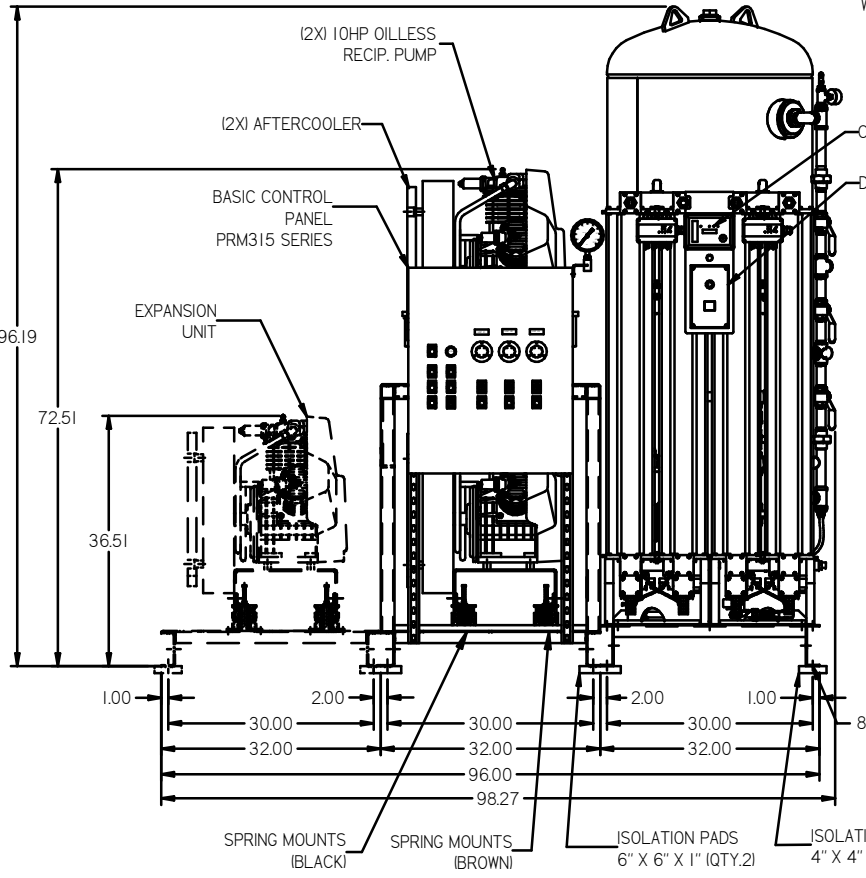
MINIMUM RECOMMENDED
ELECTRICAL PANEL
CLEARANCE PER OSHA/ NEC

24" MINIMUM RECOMMENDED
MAINTENANCE CLEARANCE



2X DESICCANT DRYERS
W/ PRE-FILTERS & AFTER-FILTERS.
CARBON FILTERS ARE OPTIONAL.
SEE 3D MODEL ID# 721365
FOR PLUMBING DETAIL

240GAL ASME RECEIVER
INTERNALLY LINED
SEE 3D MODEL ID# 721012
FOR PLUMBING DETAIL



NOTE: SYSTEM DESIGNED IN
COMPLIANCE WITH U.S. NFPA '99,
LATEST EDITION

TOLERANCES NOT SPECIFIED XX ± .1 XXX ± .05 Z (SEE 1)	AUTOCAD SE10 INCH	DO NOT SCALE DRAWING FOR DIMENSIONS Sheet 1 of 2 SCALE 1:14
CONFIDENTIAL DISCLOSURE This drawing is the property of POWEREX, INC. or its SOCIETY PREFERRED COMPANY and subject to return on demand. Its contents are confidential and must not be copied or submitted to outside parties for use or reproduction.	DRAWN BY GES	CHECKED BY MAH
MATERIAL N/A	APPROVED BY (Signature) MAH	DATE 6/26/19
PART NAME DUPLEX-EX3 OILLESS RECIP. 10HP, 240G, BASEMOUNT DUPLEX DESICCANT	DWG NO MPD1008-EX3	SIZE D

8

7

6

5

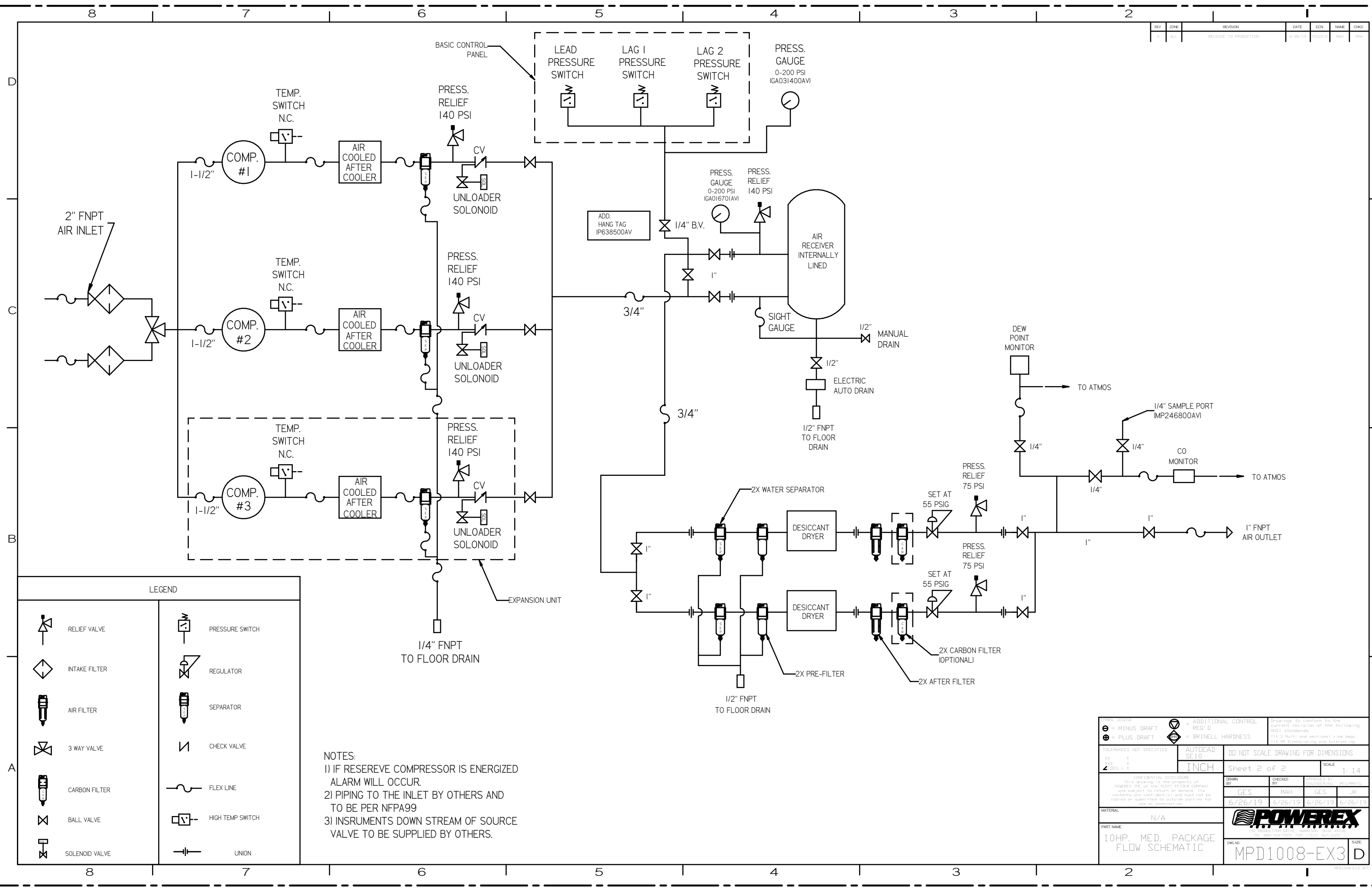
4

3

2

MPD1008-EX3.DWG

REV	ZONE	REVISION	DATE	ECN	NAME	CHKD
1	ALL	RELEASE TO PRODUCTION	11/20/19		MAH	MAH



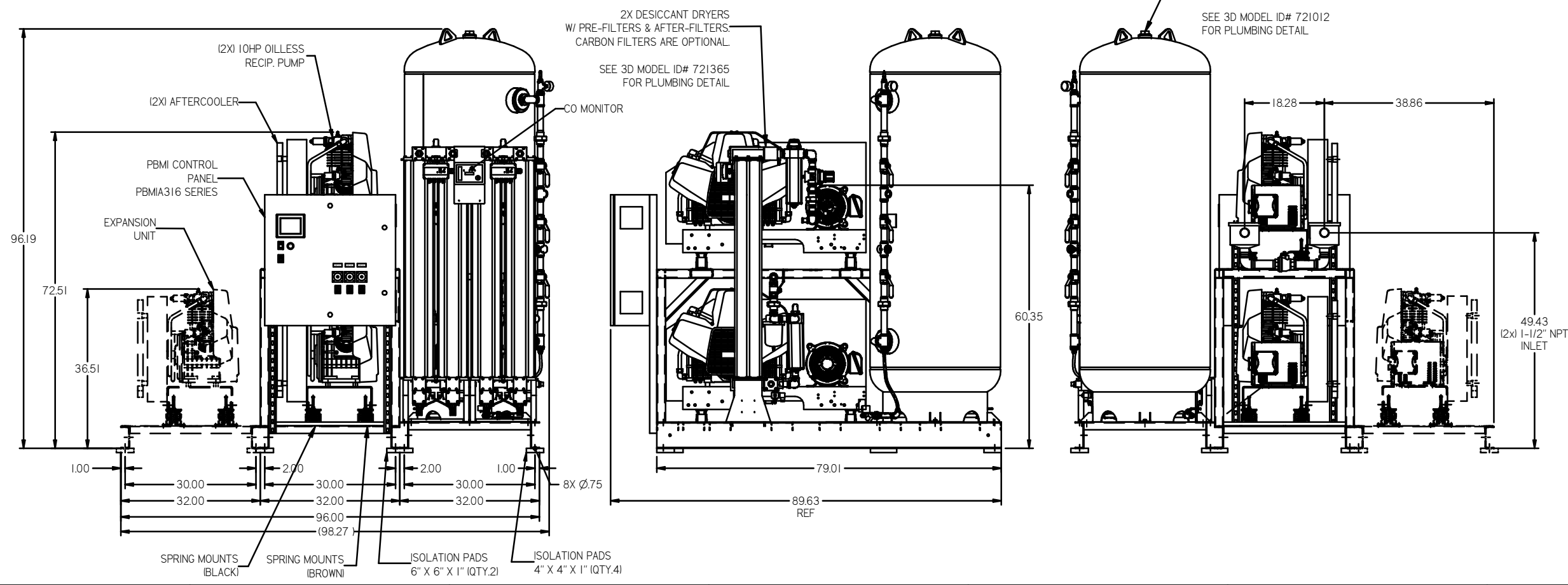
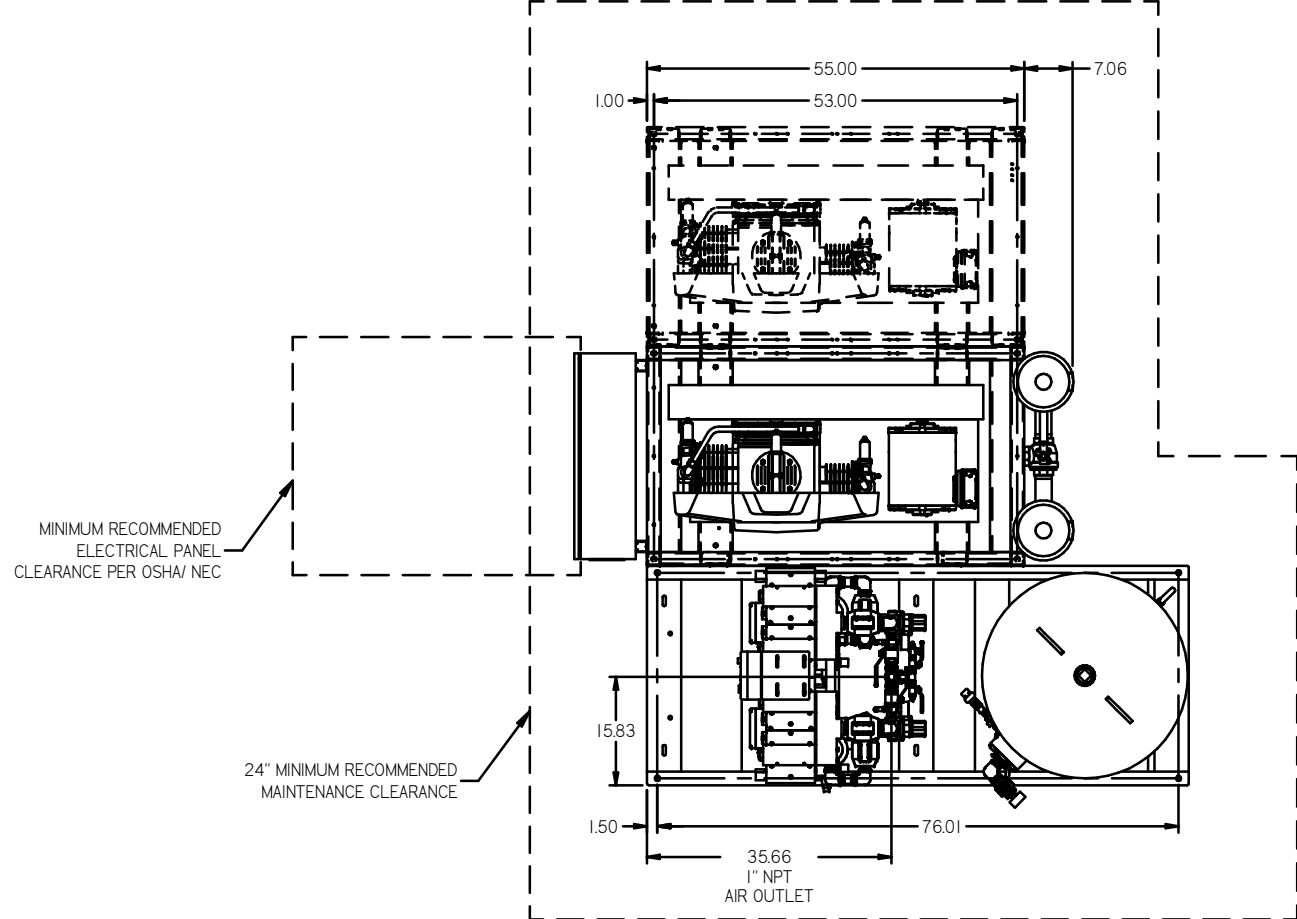
LEGEND

	RELIEF VALVE		PRESSURE SWITCH
	INTAKE FILTER		REGULATOR
	AIR FILTER		SEPARATOR
	3 WAY VALVE		CHECK VALVE
	CARBON FILTER		FLEX LINE
	BALL VALVE		HIGH TEMP SWITCH
	SOLENOID VALVE		UNION

NOTES:
 1) IF RESERVE COMPRESSOR IS ENERGIZED ALARM WILL OCCUR.
 2) PIPING TO THE INLET BY OTHERS AND TO BE PER NFPA99
 3) INSTRUMENTS DOWN STREAM OF SOURCE VALVE TO BE SUPPLIED BY OTHERS.

<p>MINUS DRAFT</p> <p>PLUS DRAFT</p>	<p>ADDITIONAL CONTROL REQ'D</p> <p>BRINELL HARDNESS</p>	<p>Drawings to conform to the current revision of the following ANSI standards:</p> <p>114.3 Multi and sectional view dings</p> <p>114.9B Dimensioning and tolerancing</p>
<p>TEOLERANCES NOT SPECIFIED</p> <p>XX ±</p> <p>XXX ±</p> <p>◀ DEG. ▶ ±</p>	<p>AUTOCAD SE10</p> <p>INCH</p>	<p>DO NOT SCALE DRAWING FOR DIMENSIONS</p> <p>Sheet 2 of 2</p> <p>SCALE 1:14</p>
<p>Copyright Notice: This drawing is the property of POWEREX INC. of the SOUTHERN REGION and subject to return on demand. Its contents are confidential and must not be copied or submitted to outside parties for use or reproduction.</p>		
<p>DATE</p> <p>6/26/19</p>	<p>DATE</p> <p>8/26/19</p>	<p>DATE</p> <p>6/26/19</p>
<p>DESIGNED BY</p> <p>GES</p>	<p>CHECKED BY</p> <p>MAH</p>	<p>APPROVED BY</p> <p>MAH</p>
<p>MATERIAL: N/A</p>		
<p>PART NAME: 10HP. MED. PACKAGE FLOW SCHEMATIC</p>		
<p>DWG NO: MPD1008-EX3</p>		<p>SIZE: D</p>

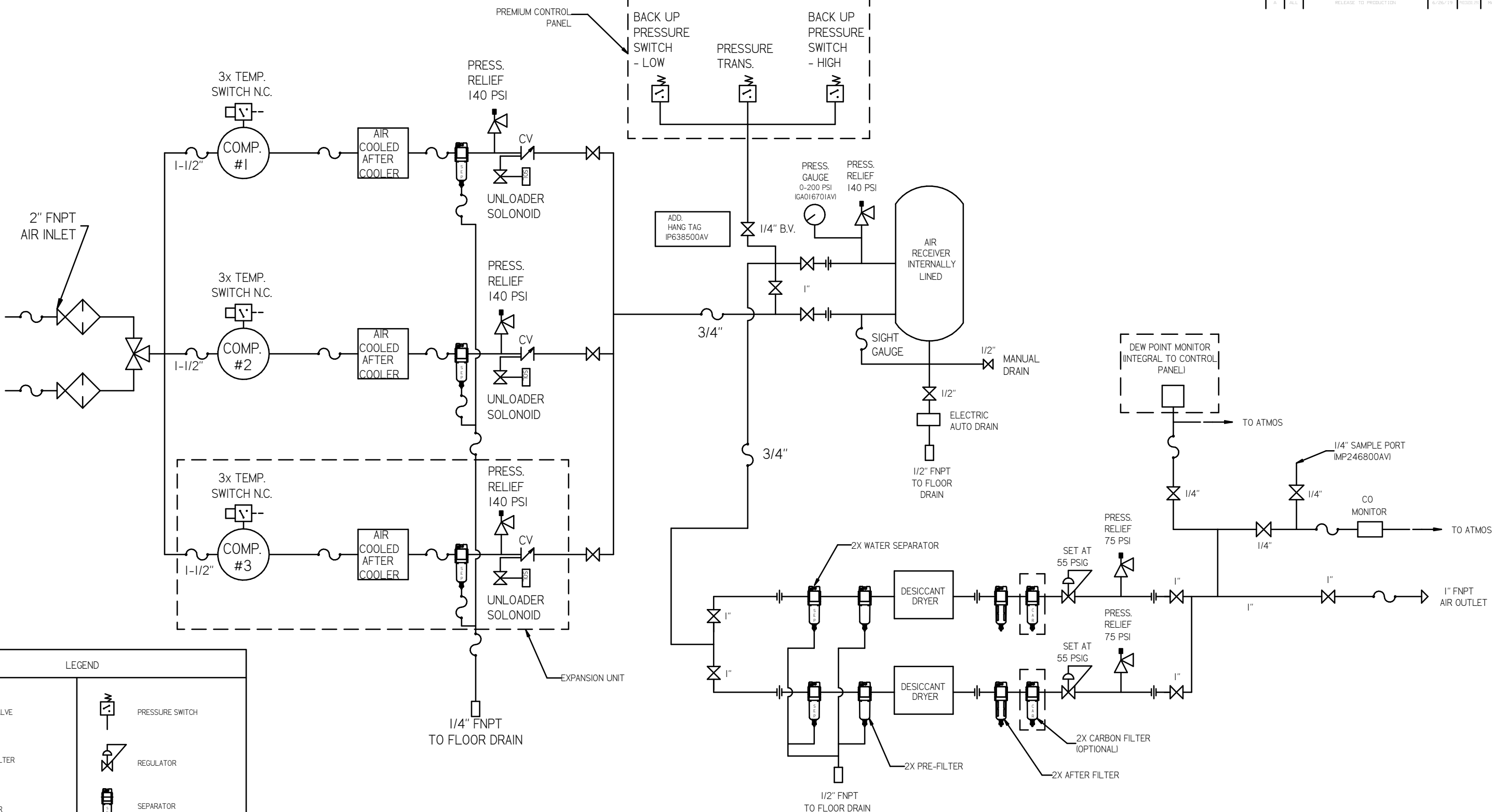
REV	ZONE	REVISION	DATE	EDN	NAME	CHKD
A	ALL	RELEASE TO PRODUCTION	6/26/19		MAH	MAH



NOTE: SYSTEM DESIGNED IN COMPLIANCE WITH U.S. NFPA '99, LATEST EDITION

MINUS DRAFT PLUS DRAFT TOLERANCES NOT SPECIFIED XX ± XXX + Z DES ±	ADDITIONAL CONTROL REQ'D BRINELL HARDNESS	Drawing to conform to the current revision of the following ANSI standards: Y14.3 Marking and sectional view Y14.5M Dimensioning and tolerancing
AUTOCAD SE10 INCH	DO NOT SCALE DRAWING FOR DIMENSIONS Sheet 1 of 2 SCALE 1:14	
CONFIDENTIAL DISCLOSURE This drawing is the property of POWEREX, Inc. or its Scott Fetzer Company and subject to return on demand. Its contents are confidential and must not be copied or submitted to outside parties for use or reproduction.		
DRAWN BY: GES CHECKED BY: MAH 6/26/19	APPROVED BY: GES 6/26/19	6/26/19 6/26/19
MATERIAL: N/A PART NAME: DUPLEX-EX3 OILLESS RECIP. 10HP, 240G, BASEMOUNT DUPLEX DESICCANT		DWG NO: MPD1008-EX3 SIZE: D

REV	ZONE	REVISION	DATE	EN	NAME	CHKD
A	ALL	RELEASE TO PRODUCTION	6/26/19		MAH	MAH



LEGEND	
	RELIEF VALVE
	INTAKE FILTER
	AIR FILTER
	3 WAY VALVE
	CARBON FILTER
	BALL VALVE
	SOLENOID VALVE
	PRESSURE SWITCH
	REGULATOR
	SEPARATOR
	CHECK VALVE
	FLEX LINE
	HIGH TEMP SWITCH
	UNION

NOTES:
 1) IF RESERVE COMPRESSOR IS ENERGIZED ALARM WILL OCCUR.
 2) PIPING TO THE INLET BY OTHERS AND TO BE PER NFPA99
 3) INSTRUMENTS DOWN STREAM OF SOURCE VALVE TO BE SUPPLIED BY OTHERS.

SYMBOL LEGEND		ADDITIONAL CONTROL REQ'D	Drawing to conform to the current revision of the following ANSI standards: Y14.3 Multi and sectional view dgs. Y14.9 Dimensioning and tolerancing
		MINUS DRAFT PLUS DRAFT	
TOLERANCES NOT SPECIFIED	AUTOCAD SE10	DO NOT SCALE DRAWING FOR DIMENSIONS	
XX ±	INCH	Sheet 2 of 2	SCALE 1:14
<small>CONFIDENTIAL DISCLOSURE: This drawing is the property of POWEREX INC. of the SCOTT FETZER COMPANY and subject to return on demand. The contents are confidential and must not be copied or submitted to outside parties for use or reproduction.</small>			
MATERIAL	N/A	DRWN BY	CHEKED BY
PART NAME	10HP. MED. PACKAGE FLOW SCHEMATIC	6/26/19	6/26/19
ENG NO	MPD1008-EX3	6/26/19	6/26/19