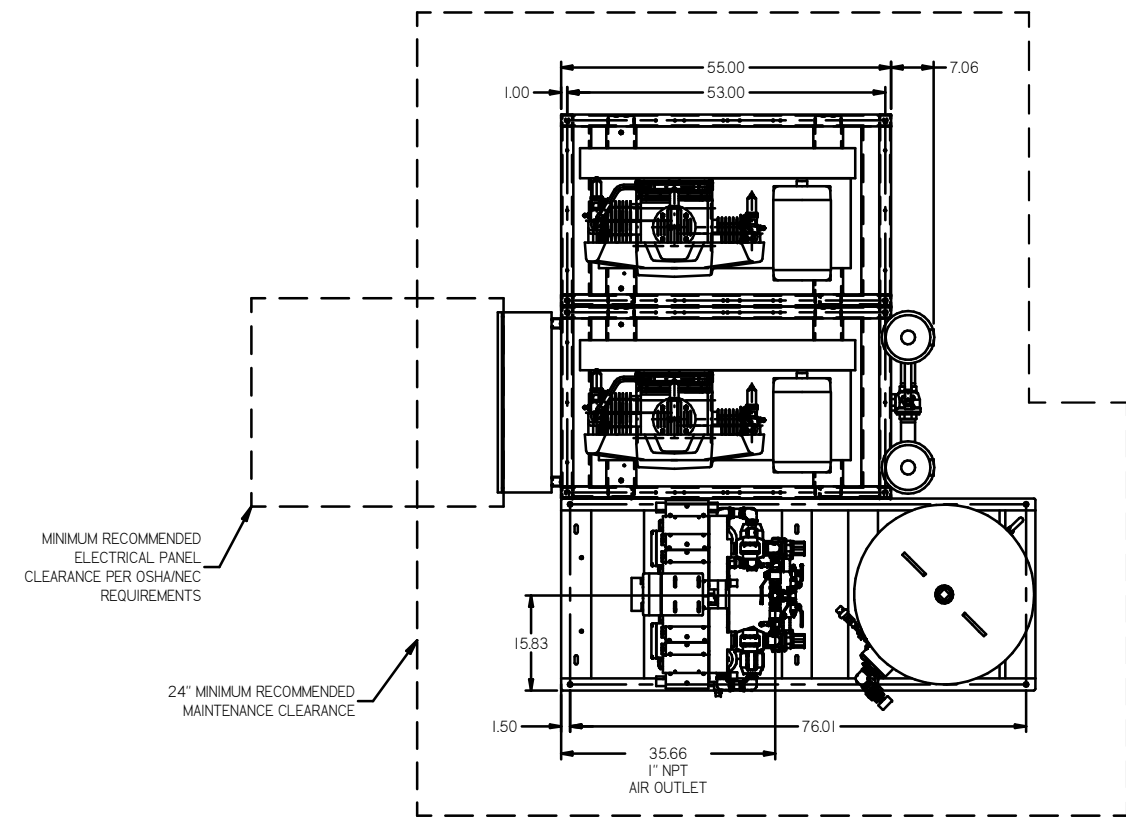


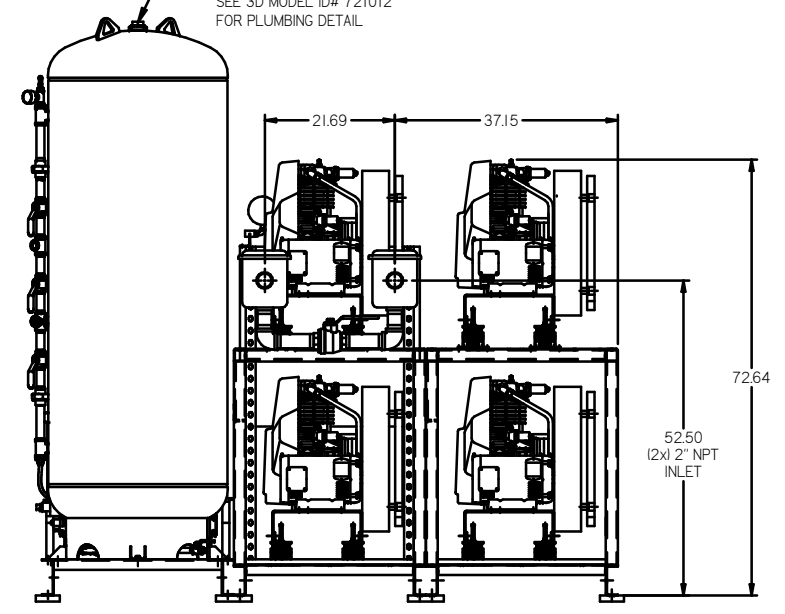
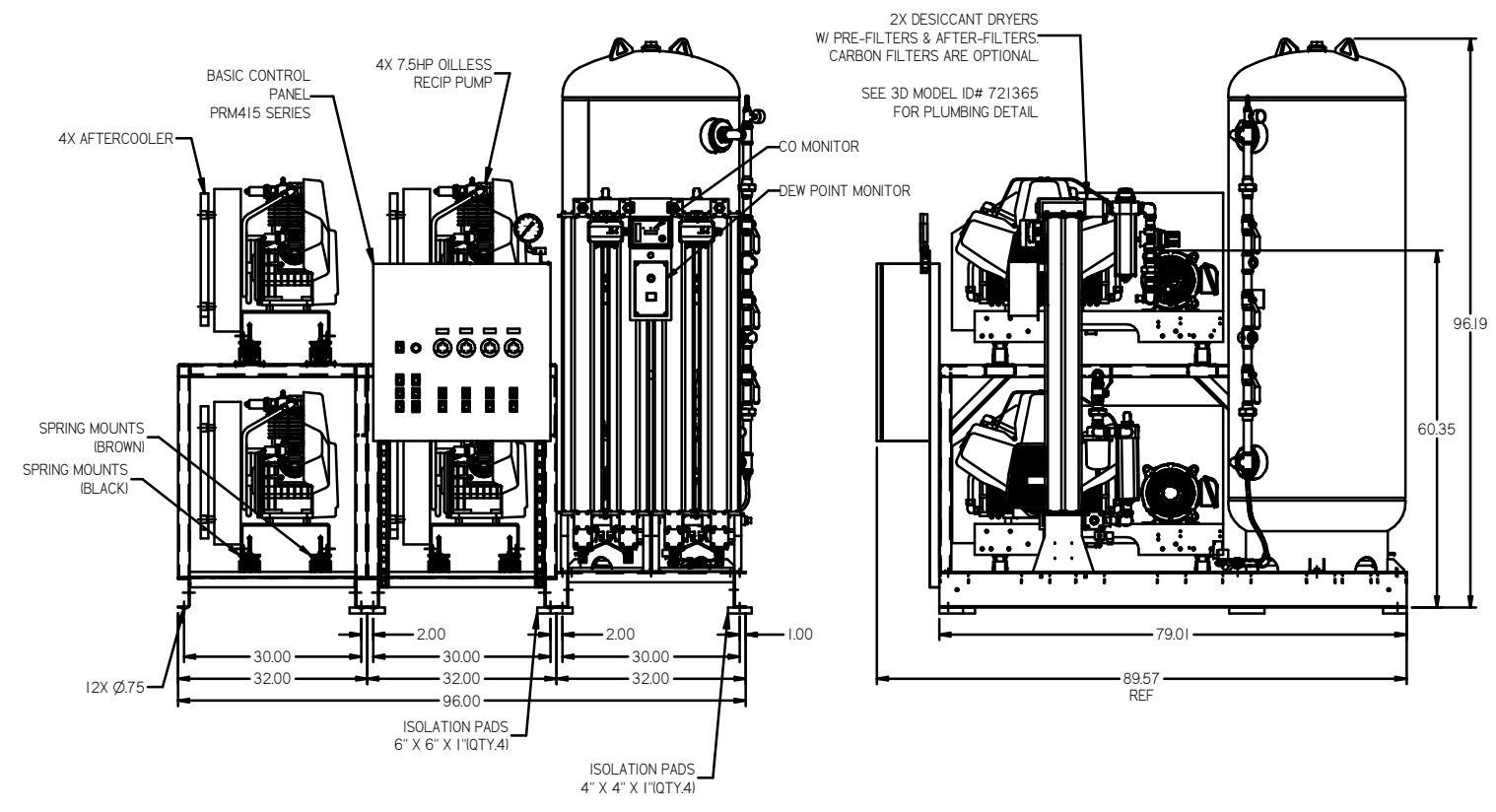
REV	ZONE	REVISION	DATE	ECN	NAME	CHKD
0	ALL	RELEASE TO PRODUCTION	07/15/06	21255	RSN	GES
N-1	ALL	ADDED PRM SHEETS	9/23/11	22609	AEK	GES
R-1	2 ALL	ADDED/UPDATED FLEX LINES	10/23/13	PREC0030	AEK	GES
Q-1	1 ALL	UPDATED DRYER OUTLET ORIENTATION	4/1/15	PREC0100	MJD	GES
R-1	2 DR	REMOVED SHOWER VALVE	03/28/16	PREC0133	MJD	AEK
S	1 BR	CHANGED REAR SPRING MOUNTS TO BLACK	4/24/19	PREC0232	MMH	GES
T	ALL	CHANGED TO TRIDENT DRYERS, MORGANTON TANK	7/6/19	PREC0303	GES	MMH



MINIMUM RECOMMENDED ELECTRICAL PANEL CLEARANCE PER OSHA/NEC REQUIREMENTS

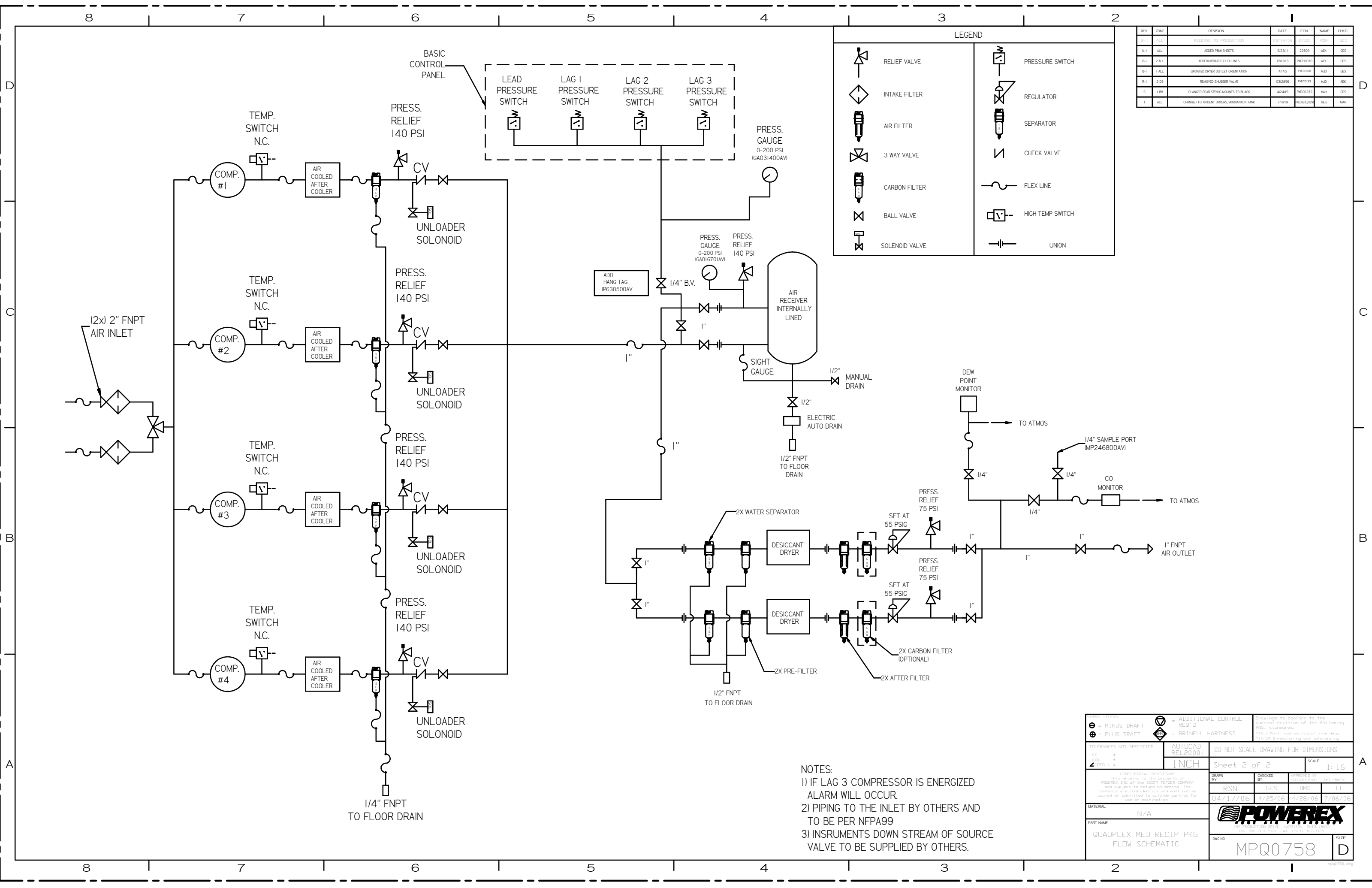
24\"/>

240GAL ASME RECEIVER INTERNALLY LINED
SEE 3D MODEL ID# 721012 FOR PLUMBING DETAIL



NOTE: SYSTEM DESIGNED IN COMPLIANCE WITH U.S. NFPA '99, LATEST EDITION.

<p>SYMBOL LEGEND</p> <p>⊖ = MINUS DRAFT ⊕ = PLUS DRAFT</p> <p>⊗ = ADDITIONAL CONTROL REQ'D ⊘ = BRINELL HARDNESS</p>		<p>Drawings to conform to the current revision of the following ANSI standards:</p> <p>Y14.3 Multi and sectional view dsgs Y14.2B Dimensioning and tolerancing</p>	
<p>TOLERANCES NOT SPECIFIED</p> <p>XX ±</p> <p>XXX ±</p> <p>2 DEC. ±</p>		<p>AUTOCAD REL2000</p> <p>INCH</p>	
<p>CONFIDENTIAL DISCLOSURE</p> <p>This drawing is the property of POWEREX, INC. of THE SCOTT FETZER COMPANY and subject to return on demand. Its contents are confidential and must not be copied or submitted to outside parties for use or inspection.</p>		<p>DO NOT SCALE DRAWING FOR DIMENSIONS</p> <p>Sheet 1 of 2 SCALE 1:16</p>	
<p>MATERIAL: N/A</p>		<p>DRAWN BY: RSN CHECKED BY: GES APPROVED BY: DMS JJJ</p> <p>04/17/06 4/25/06 4/28/06 7/06/06</p>	
<p>PART NAME: QUADPLEX OILLESS RECIP 7.5HP 240GAL BASEMOUNT DUPLEX DESICCANT</p>		<p>POWEREX</p> <p>150 PRODUCTION DRIVE, HARRISBURG, PA 17109 TEL: 717-734-7875 FAX: 717-734-7876</p>	
<p>DWG NO: MPQ0758</p>		<p>SIZE: D</p>	



REV	ZONE	REVISION	DATE	ECN	NAME	CHKD
3-1	ALL	RELEASE TO PRODUCT USE	07/14/06	01555	RSN	GES
N-1	ALL	ADDED P&W SHEETS	02/20/11	22809	AEK	GES
P-1	2 ALL	ADDED/PATED FLEX LINES	12/21/13	PRE00030	AEK	GES
D-1	1 ALL	UPDATED DRYER OUTLET ORIENTATION	4/1/15	PRE00100	MD	GES
R-1	2 DS	REMOVED SHIMMER VALVE	03/28/16	PRE00133	MD	AEK
S	1 BR	CHANGED REAR SPRING MOUNTS TO BLACK	02/04/19	PRE00233	MW	GES
T	ALL	CHANGED TO TRIDENT DRYERS, MORGANTON TANK	7/16/19	PRE00303	GES	MW

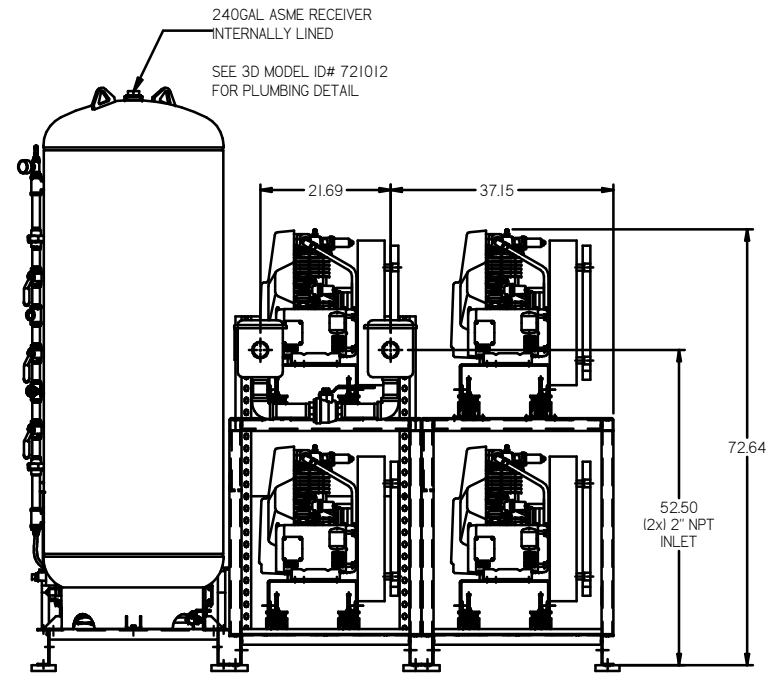
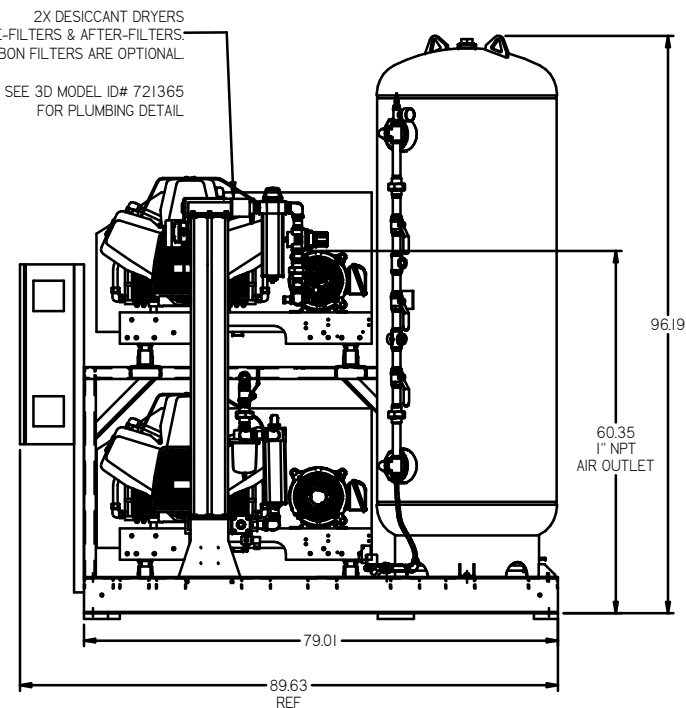
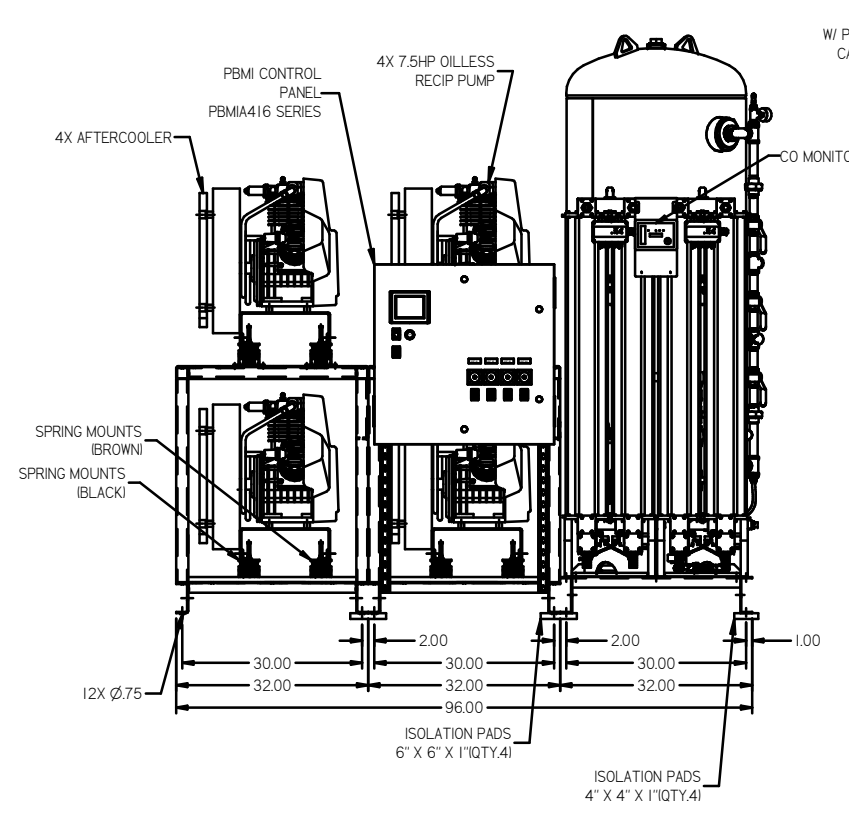
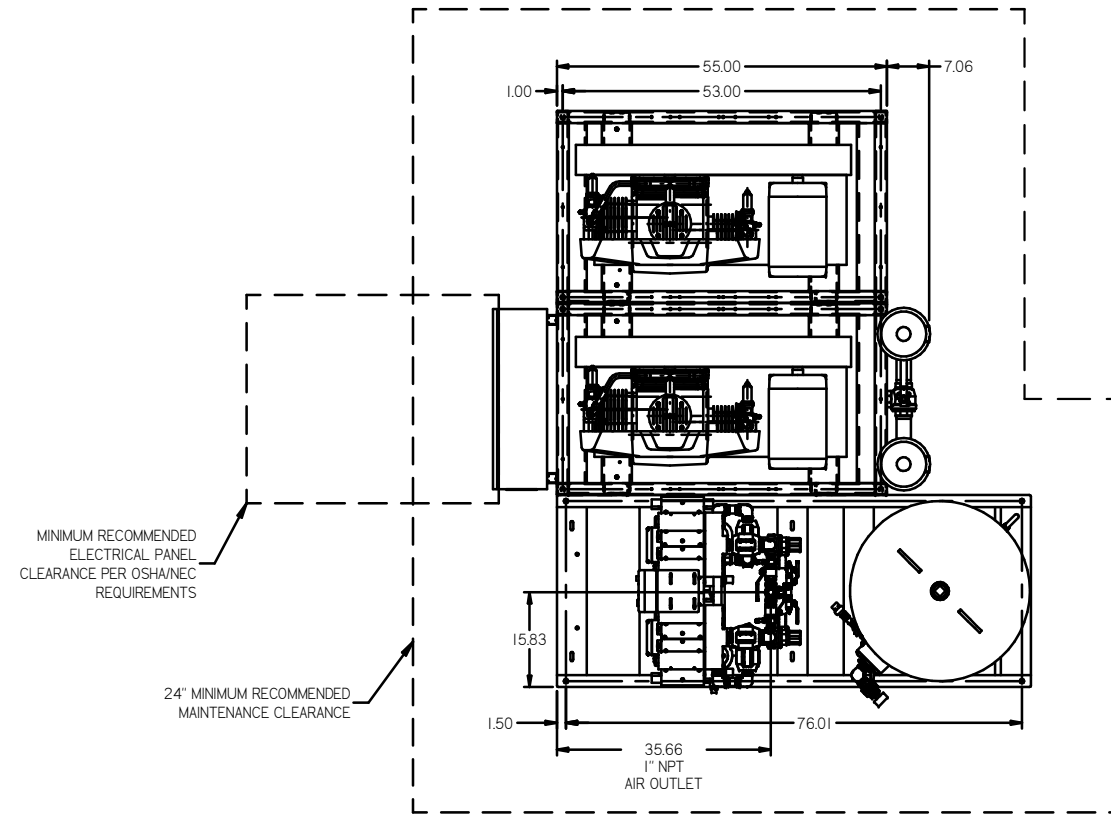
LEGEND

	RELIEF VALVE		PRESSURE SWITCH
	INTAKE FILTER		REGULATOR
	AIR FILTER		SEPARATOR
	3 WAY VALVE		CHECK VALVE
	CARBON FILTER		FLEX LINE
	BALL VALVE		HIGH TEMP SWITCH
	SOLENOID VALVE		UNION

NOTES:
 1) IF LAG 3 COMPRESSOR IS ENERGIZED ALARM WILL OCCUR.
 2) PIPING TO THE INLET BY OTHERS AND TO BE PER NFPA99
 3) INSTRUMENTS DOWN STREAM OF SOURCE VALVE TO BE SUPPLIED BY OTHERS.

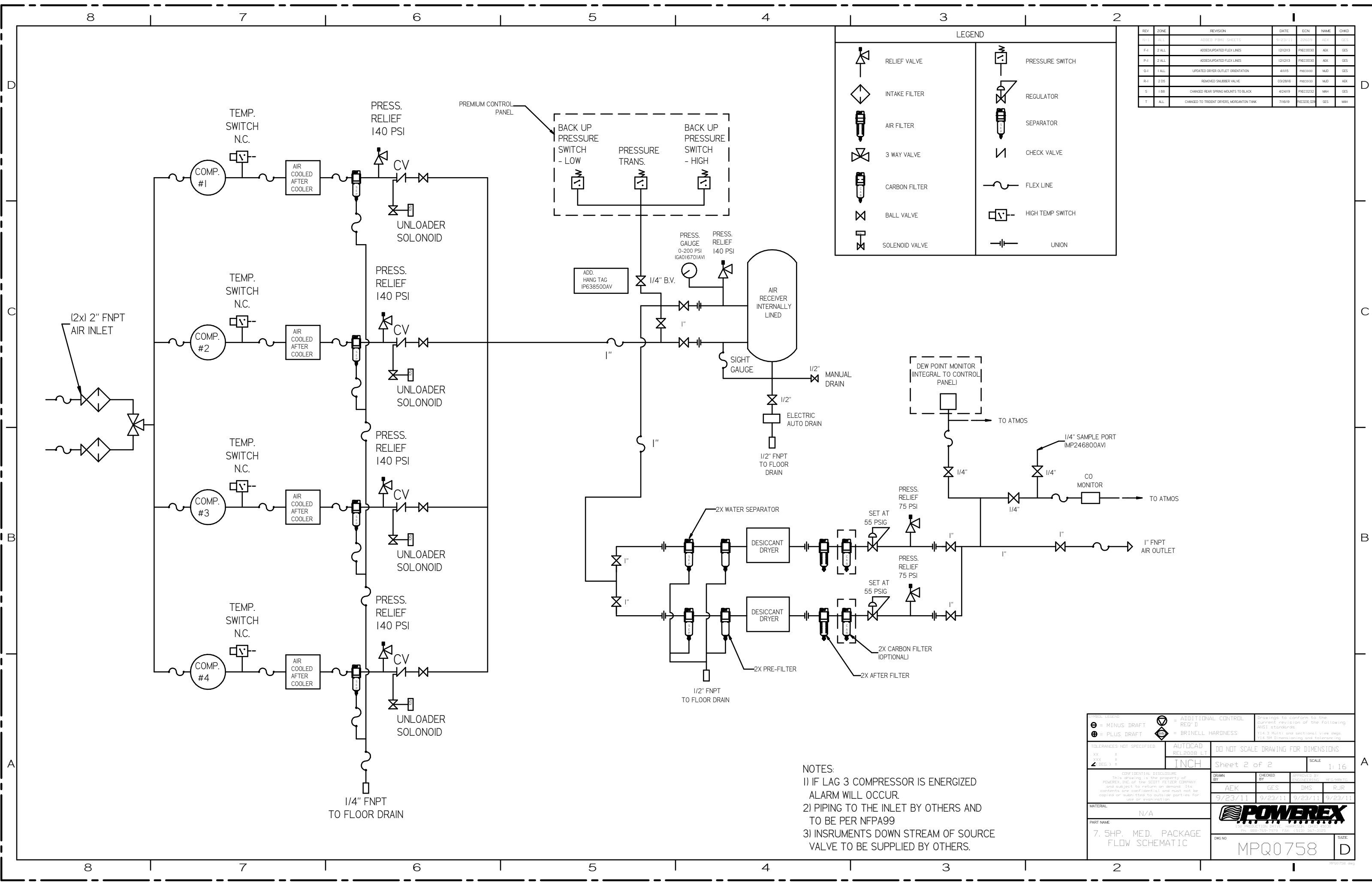
TOLERANCES NOT SPECIFIED XX ± X (DEG) ±	AUTOCAD REL2000.1 INCH	DO NOT SCALE DRAWING FOR DIMENSIONS Sheet 2 of 2 SCALE 1:16
CONFIDENTIAL: 230303000 This drawing is the property of POWEREX INC. or the SCOTT FETZER COMPANY and subject to return on demand. Its contents are confidential and must not be copied or submitted to outside parties for use or reproduction.	DRAWN BY: RSN CHECKED BY: GES 04/17/06 4/25/06 4/29/06 7/06/06	DESIGNED BY: JJJ APPROVED BY: JJJ 04/17/06 4/25/06 4/29/06 7/06/06
MATERIAL: N/A PART NAME: QUADPLEX MED RECIP PKG FLOW SCHEMATIC		DWG NO: MPQ0758 SIZE: D

REV	ZONE	REVISION	DATE	ECN	NAME	CHKD
1-1	ALL	ADDED PBMI SHEETS	9/23/11		AEK	GES
2	ALL	ADDED/UPDATED FLEX LINES	12/02/13		AEK	GES
3	ALL	UPDATED DRYER OUTLET ORIENTATION	4/1/15		MJD	GES
4	2 DS	REMOVED SLABBER VALVE	5/28/16		MJD	AEK
5	1 BB	CHANGED REAR SPRING MOUNTS TO BLACK	4/24/19		MJM	GES
7	ALL	CHANGED TO TROJENT DRYERS, MORGANTON TANK	7/16/19		GES	MJM



NOTE: SYSTEM DESIGNED IN COMPLIANCE WITH U.S. NFPA '99, LATEST EDITION.

TOLERANCES NOT SPECIFIED XX ± .1 XXX ± .05 Z DEC 1/2	AUTOCAD REL2008 LT INCH	ADDITIONAL CONTROL REQ'D = BRINELL HARDNESS	Drawings to conform to the current revision of the following ANSI standards: Y14.3 (Mech) and sections 1 view Regs Y14.9M (Dimensioning and tolerancing)
DO NOT SCALE DRAWING FOR DIMENSIONS		Sheet 1 of 2 SCALE 1:16	
CONFIDENTIAL DISCLOSURE This drawing is the property of POWEREX, INC. or NEW SCOTT, FETZER COMPANY and subject to return on demand. Its contents are confidential and must not be copied or submitted to outside parties for use or reproduction.		DRAWN BY: AEK CHECKED BY: GES APPROVED BY: DMS RJR 9/23/11 9/23/11 9/23/11 9/23/11	
MATERIAL: N/A			
PART NAME: QUADPLEX OILLESS RECIP 7.5HP 240GAL BASEMOUNT DUPLEX DESICCANT		DWG NO: MPQ0758 SIZE: D	



LEGEND

	RELIEF VALVE		PRESSURE SWITCH
	INTAKE FILTER		REGULATOR
	AIR FILTER		SEPARATOR
	3 WAY VALVE		CHECK VALVE
	CARBON FILTER		FLEX LINE
	BALL VALVE		HIGH TEMP SWITCH
	SOLENOID VALVE		UNION

REV	ZONE	REVISION	DATE	ECN	NAME	CHKD
1	ALL	ADDED PBRH SHEETS	11/23/11	25609	AEK	GES
F-1	2 ALL	ADDED/UPDATED FLEX LINES	12/28/13	PREC0030	AEK	GES
P-1	2 ALL	ADDED/UPDATED FLEX LINES	12/28/13	PREC0030	AEK	GES
Q-1	1 ALL	UPDATED DRYER OUTLET ORIENTATION	4/1/15	PREC0100	NLD	GES
R-1	2 OS	REMOVED SLUBBER VALVE	03/28/16	PREC0133	NLD	AEK
S	1 BR	CHANGED REAR SPRING MOUNTS TO BLACK	4/24/19	PREC0232	MMH	GES
T	ALL	CHANGED TO TRENT DRIVERS, MORGANTON TANK	7/16/19	PREC0201	GES	MMH

- NOTES:
- IF LAG 3 COMPRESSOR IS ENERGIZED ALARM WILL OCCUR.
 - PIPING TO THE INLET BY OTHERS AND TO BE PER NFPA99
 - INSRUMENTS DOWN STREAM OF SOURCE VALVE TO BE SUPPLIED BY OTHERS.

THIS DRAWING IS THE PROPERTY OF POWEREX, INC. OF THE SCOTT FETZER COMPANY and subject to return on demand. Its contents are confidential and must not be copied or submitted to outside parties for use or reproduction.	Drawings to conform to the following ANSI standards: 1:4:3 Multi and sectional view steps 1:4:3B Dimensions and tolerances
TOLERANCES NOT SPECIFIED: XX ± XXX ± (DEG.) ±	AUTOCAD REL 2008 LT INCH DO NOT SCALE DRAWING FOR DIMENSIONS Sheet 2 of 2 SCALE 1:16
MATERIAL: N/A	DRAWN BY: AEK CHECKED BY: GES 9/23/11 APPROVED BY: DMS 9/23/11 RJR 9/23/11
PART NAME: 7.5 SHP. MED. PACKAGE FLOW SCHEMATIC	 150 HARRIS ROAD, WESTFIELD, OHIO 45856 PH: 989-764-7979 FAX: 937-267-3125
DWG NO: MPQ0758	SIZE: D