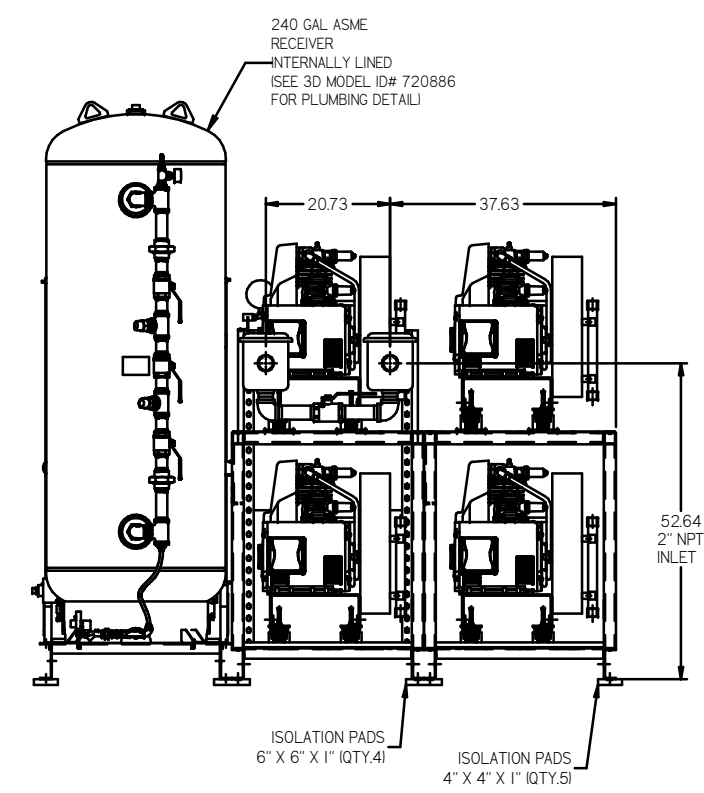
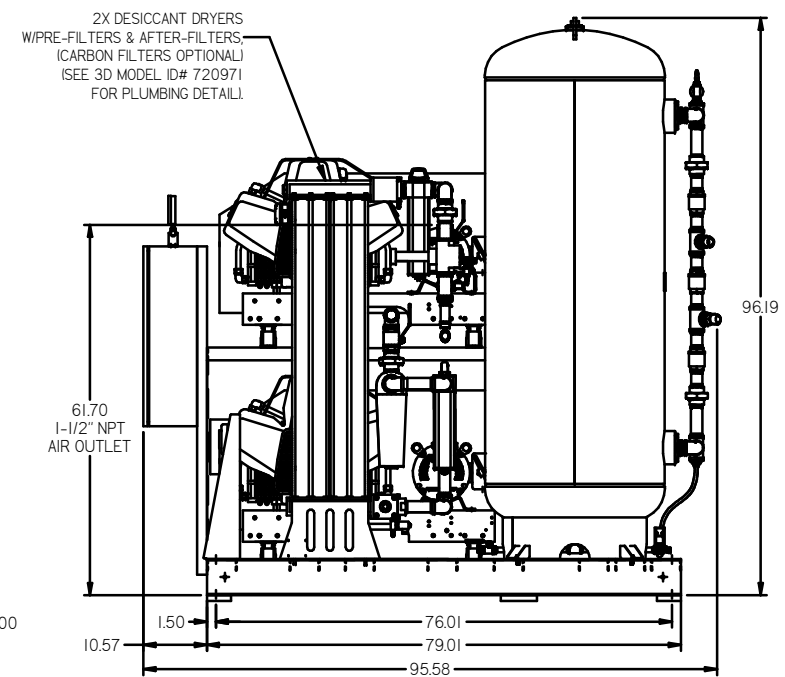
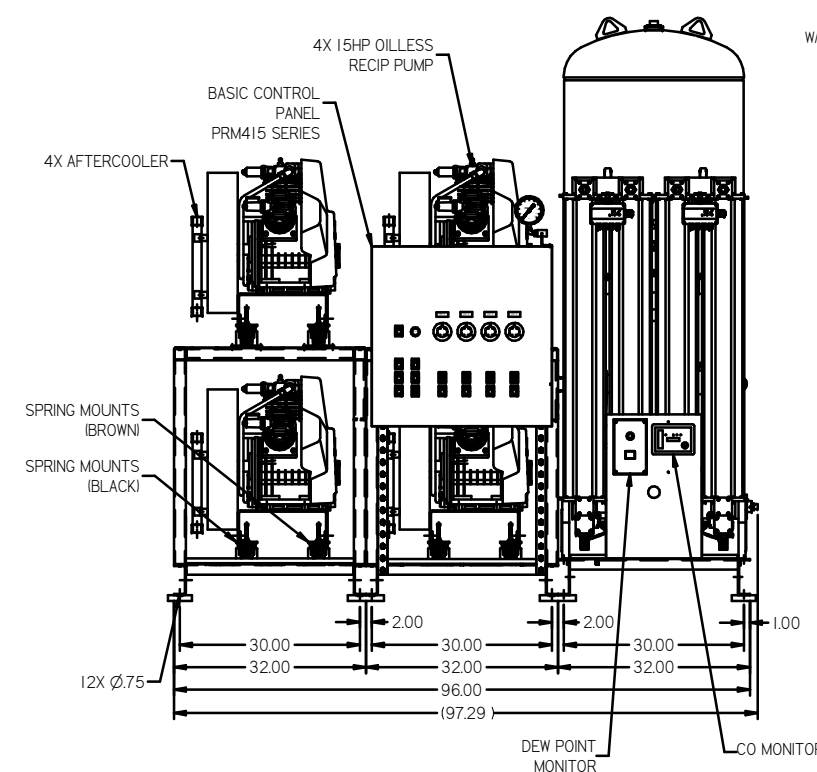
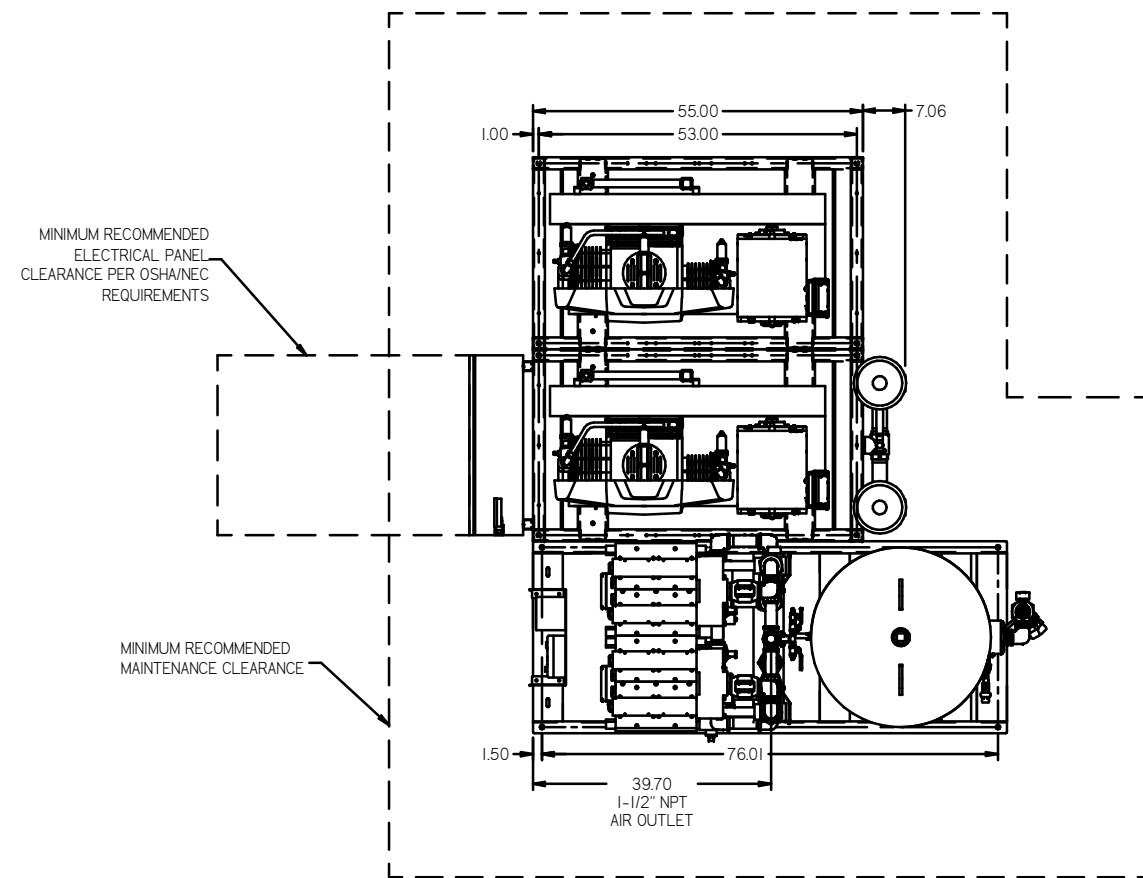


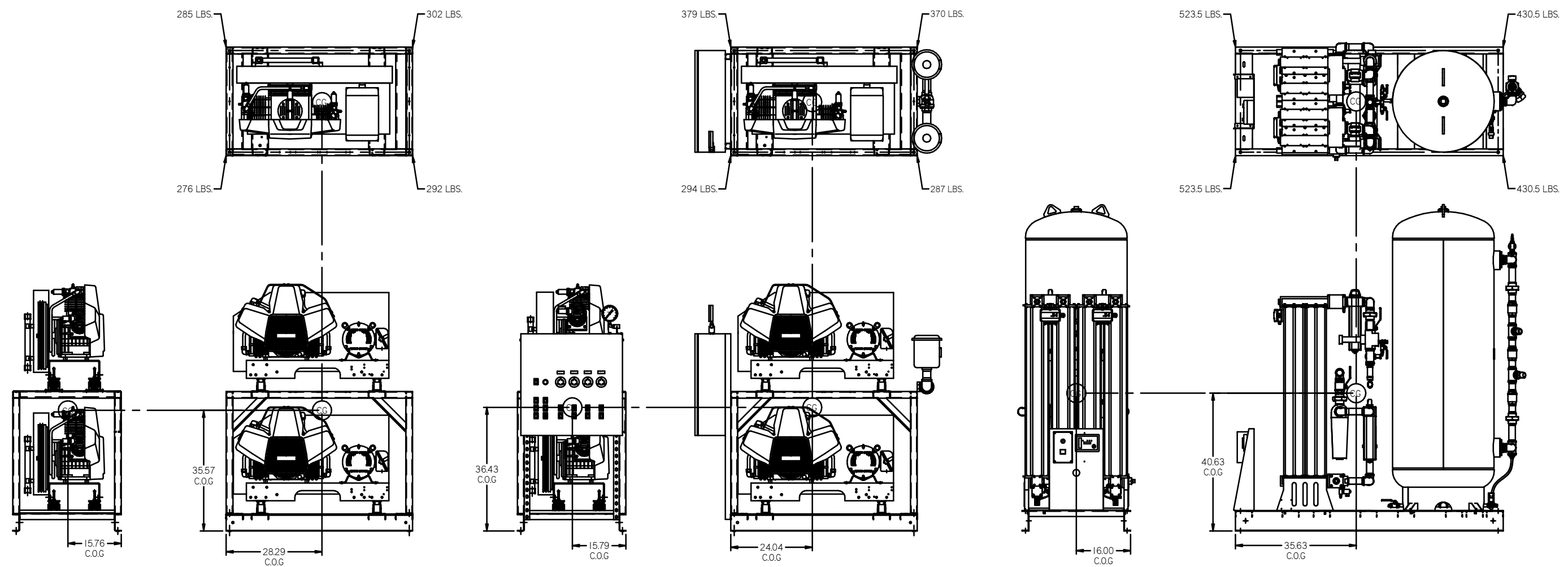
REV	ZONE	REVISION	DATE	ECN	NAME	CHKD
B-1	ALL	RELEASE TO PROJECT LOG	07/11/06	11431	DMS	GES
C-1	1 ALL	ADDED DME FRAME, NEW STYLE PANEL, & TANK	11/8/07	21869	AEK	GES
D-1	2 ALL	UPDATED FLOW SCHEMATIC	12/3/07	21890	AEK	GES
E-1	D-5	ADDED HANG TAG	03/29/08	21907	DMS	GES
F-1	IB-7	ADDED SPRING COLOR LOCATIONS	8/1/08	22039	GES	DMS
G-1	ALL	UPDATED PRIMES, DP, MONITOR FLOW SCHEMATIC	02/28/09	22127	AEK	GES
H-1	1 ALL	REMOVED B BASE TAD & RELOCATED PANEL AND DRIVERS	9/24/09	22286	AEK	GES
J-1	1 ALL	UPDATED PUMP FRAMES	4/16/10	22407	AEK	GES
J-2	1 ALL	UPDATED AFTER COOLER MOUNTING BRACKET	12/3/10	22407	AEK	GES
K-1	ALL	ADDED SHEETS 3 & 4	12/29/10	22348	AEK	KMD
L-1	ALL	ADDED PBM SHEETS	9/23/11	22809	AEK	GES
M-1	2 ALL	ADDED/UPDATED FLEX LINES	10/10/12	PREC0009	AEK	DMS
N-1	ALL	ADDED CO MONITOR TO SYSTEM LAYOUT	12/21/13	PREC0030	AEK	GES
P-1	2 DS	REMOVED SHIMMER VALVE	03/28/16	PREC0133	MJD	AEK
Q-1	SH-1	UPDATED TO NANO DRIVERS	8/10/17	PREC0174	AEK	GES
R	ALL	CHANGED TO TROTEC DRIVE, MORGANTON TANK, UPDATED TO TEAM CENTER	9/10/19	PREC03009	GES	MMH



NOTE: SYSTEM DESIGNED IN COMPLIANCE WITH U.S. NFPA '99, LATEST EDITION.

MINUS DRAFT PLUS DRAFT TOLERANCES NOT SPECIFIED XX ± Z (DEC.) ±	ADDITIONAL CONTROL REQ'D BRINELL HARDNESS	Drawing to conform to the current revision of the following ANSI standards: Y14.3 (Mtx) and sections 1 view degn. Y14.98 (Surface texture and tolerancing)
AUTOCAD REL2000 INCH	DO NOT SCALE DRAWING FOR DIMENSIONS Sheet 1 of 4 SCALE 1:16	
This drawing is the property of POWEREX INC. of the SCOTT FETZER COMPANY and subject to return on demand. Its contents are confidential and must not be copied or submitted to outside parties for use or examination.	DRAWN BY: DMS CHECKED BY: DMS 09/11/06 APPROVED BY: ENGINEERING - MFG/MKTE: DMS 09/11/06 09/11/06	POWEREX 150 PRODUCTION DRIVE, HARRISBURG, OHIO 45030 Ph: 888-762-7979 Fax: 614-351-3155
MATERIAL: N/A PART NAME: QUADPLEX OILLESS RECIP. 15HP, 240GAL. BASEMOUNT DUPLEX DESICCANT	POC NO: MPQ1508 SIZE: D	

REV	ZONE	REVISION	DATE	ECN	NAME	CHKD
0-1	ALL	ISSUE SHEETS 3 & 4	12/20/10	00000	AEK	GES
L-1	ALL	ADDED PBM SHEETS	9/23/11	22809	AEK	GES
M-1	2 ALL	ADDED/UPDATED FLEX LINES	10/10/12	PRE00009	AEK	DWF
N-1	ALL	ADDED CO MONITOR TO SYSTEM LAYOUT	12/12/13	PRE00030	AEK	GES
P-1	2 DS	REMOVED SHABBER VALVE	03/28/16	PRE00133	MD	AEK
D-1	DRYER	UPDATED TO HAND DRIVERS	8/10/17	PRE00174	AEK	GES
R	ALL	CHANGED TO TERRY DRIVERS, WAGGON TANK, UPDATED TO TEAM CENTER	8/10/19	PRE002029	GES	MAH



PUMP SKID  
TOTAL WEIGHT: 1155 LBS  
C.O.G. DIMENSIONS  
X (FRONT): -15.76"  
Y (RIGHT): 28.29"  
Z (HEIGHT): 35.57"

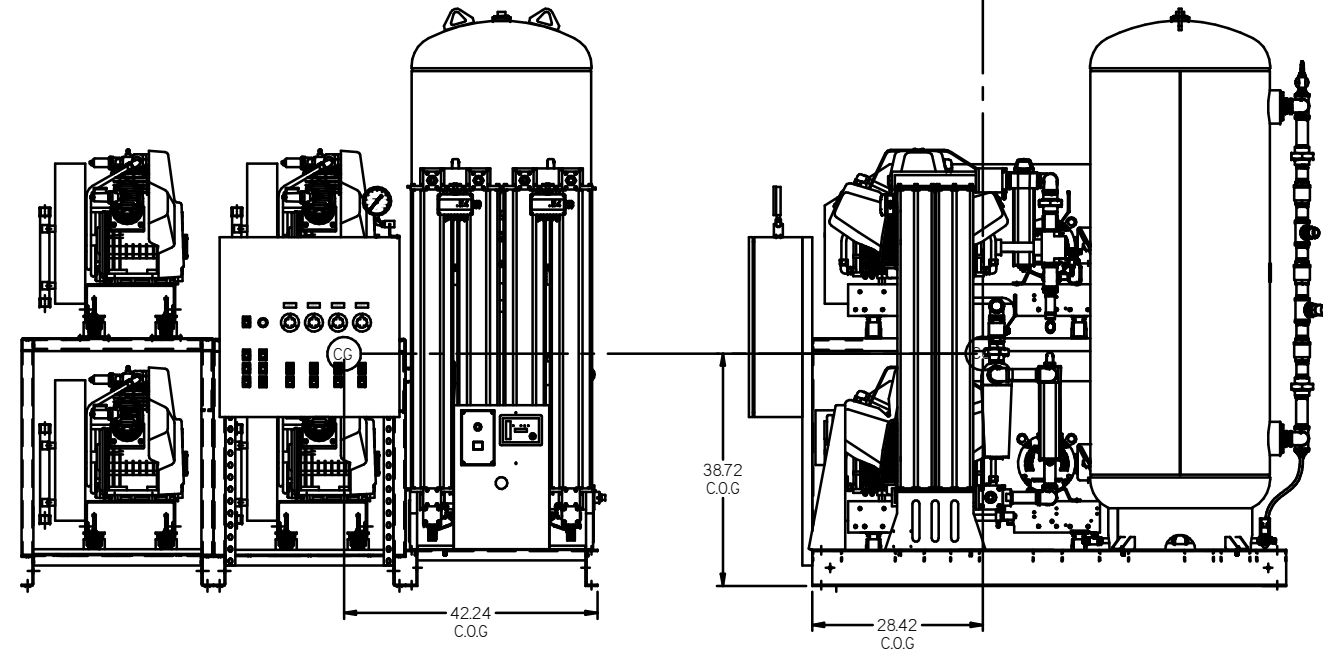
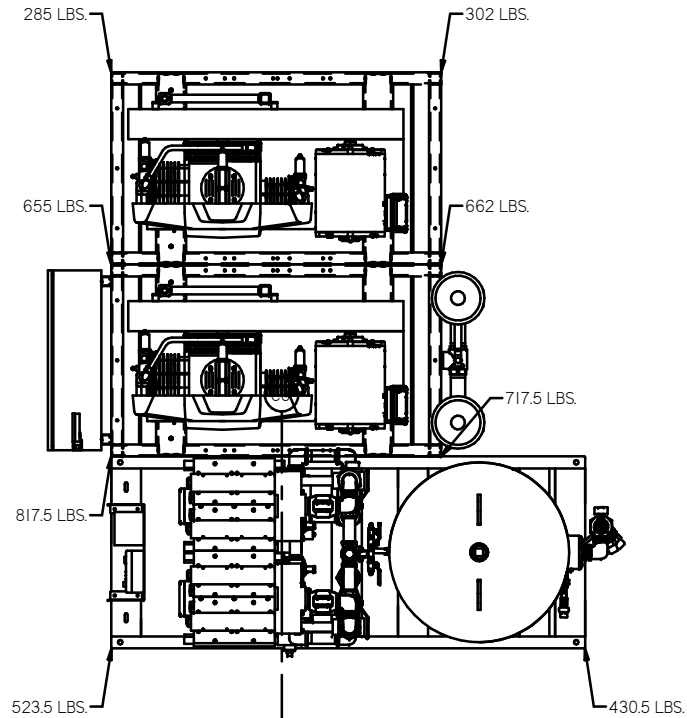
PANEL/PUMP SKID  
TOTAL WEIGHT: 1330 LBS  
C.O.G. DIMENSIONS  
X (FRONT): -15.79"  
Y (RIGHT): 24.04"  
Z (HEIGHT): 36.43"

DRYER/TANK SKID  
TOTAL WEIGHT: 1908 LBS  
C.O.G. DIMENSIONS  
X (FRONT): -16.00"  
Y (RIGHT): 35.63"  
Z (HEIGHT): 40.63"

CG denotes center of gravity

<ul style="list-style-type: none"> <li>⊖ = MINUS DRAFT</li> <li>⊕ = PLUS DRAFT</li> <li>Ⓢ = ADDITIONAL CONTROL REQ'D</li> <li>Ⓜ = BRINELL HARDNESS</li> </ul>	Drawings to conform to the current revision of the following ANSI standards: Y14.3 Multi and sections view deqs Y14.9 Dimensional and tolerances
TOLERANCES NOT SPECIFIED XX ± XXX ± Z (DEC) ±	AUTOCAD REL2008 <b>INCH</b> DO NOT SCALE DRAWING FOR DIMENSIONS
CONFIDENTIAL INFORMATION This drawing is the property of POWEREX INC. or the SCOTT FITZGER COMPANY and subject to return or demand. Its contents are confidential and must not be copied or submitted to outside parties for use or examination.	Sheet 3 of 4 SCALE 1:16 DRAWN BY: AEK CHECKED BY: KMD APPROVED BY: KMD, JJ 12/20/10 12/20/10 12/20/10 12/20/10
MATERIAL: N/A PART NAME: QUADPLEX DILLESS RECIP. 15HP, 240GAL. BASEMOUNT DUPLEX DESICCANT	 150 PRODUCTION DRIVE, HARRISBURG, OHIO 45030 PH: 938-762-7075 FAX: 938-762-3325 DWG NO: MPQ1508 SIZE: D

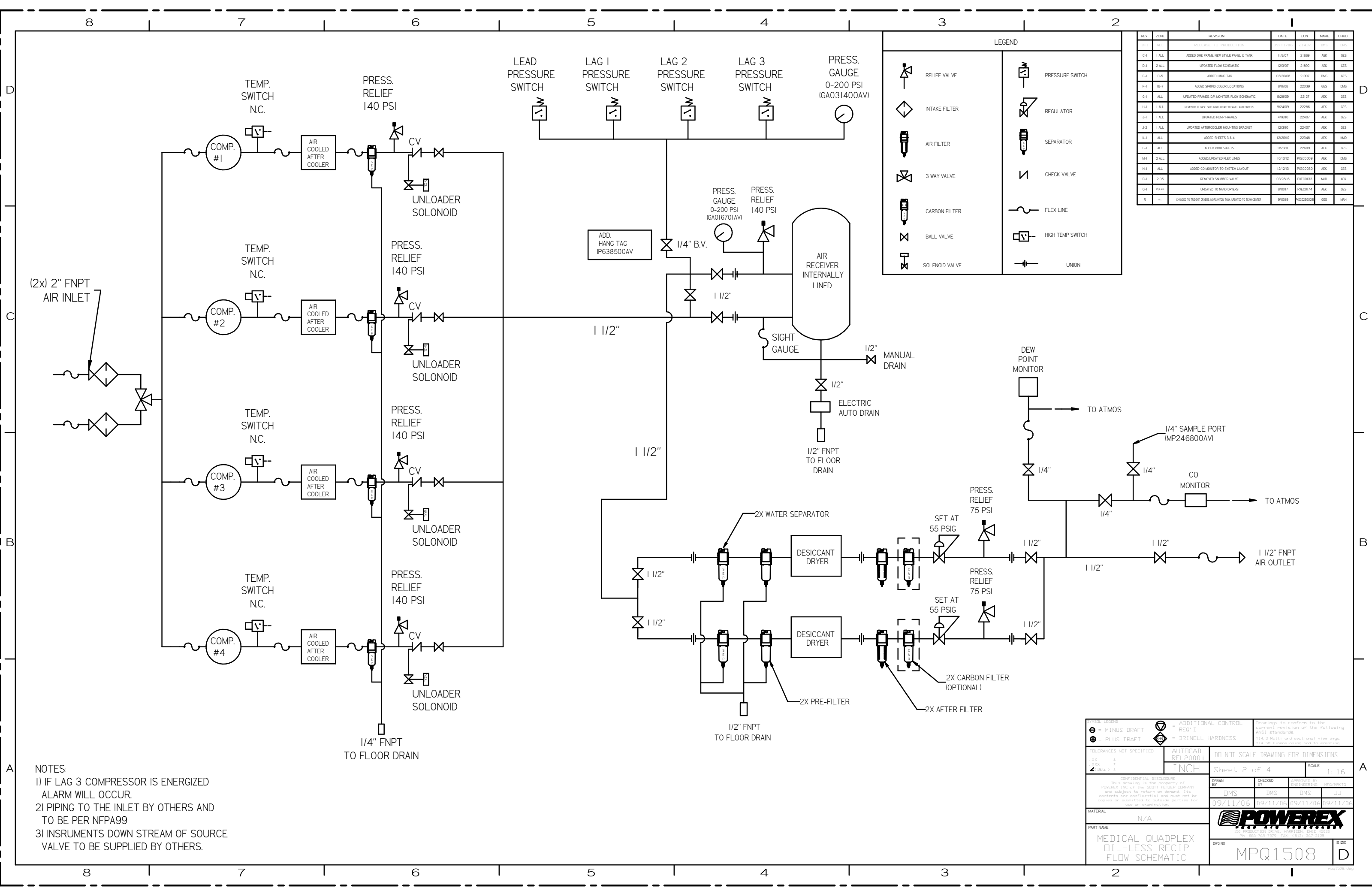
REV	ZONE	REVISION	DATE	ECN	NAME	CHKD
1	ALL	ADDED SHEETS 3, 4, 5	01/20/10	22608	AEK	KMD
L-1	ALL	ADDED P&ID SHEETS	02/03/11	22609	AEK	GES
M-1	2 ALL	ADDED/UPDATED FLEX LINES	10/09/12		AEK	DWG
N-1	ALL	ADDED CO MONITOR TO SYSTEM LAYOUT	12/21/13		AEK	GES
P-1	2 DR	REMOVED SHAMBER VALVE	03/28/16		MD	AEK
Q-1	444	UPDATED TO NANO DRIVERS	8/30/17		AEK	GES
R	44	CHANGED TO PREVENT DRIVER MORTGAGE TANK UPDATED TO TEAM OWNER	8/10/19		AEK	MDH



SYSTEM  
TOTAL WEIGHT: 4393 LBS  
C.O.G. DIMENSIONS  
X (FRONT): 42.24"  
Y (RIGHT): 28.42"  
Z (HEIGHT): 38.72"

CG denotes center of gravity

<small>SYMBOL LEGEND</small> ⊖ = MINUS DRAFT ⊕ = PLUS DRAFT ⊗ = ADDITIONAL CONTROL REQ'D ⊘ = BRINELL HARDNESS		<small>Drawings to conform to the current revision of the following ANSI standards:</small> 114.3 Multi and sectional view dgs. 112.01 Dimensioning and tolerancing
<small>TOLERANCES NOT SPECIFIED</small> XX ± XXX ± Z.BEG. ±	<small>AUTOCAD REL 2008</small> INCH	<small>DO NOT SCALE DRAWING FOR DIMENSIONS</small> Sheet 4 of 4 SCALE 1:16
<small>CONFIDENTIAL DISCLOSURE</small> This drawing is the property of POWEREX INC. of the SCOTT FETZER COMPANY and subject to return on demand. Its contents are confidential and must not be copied or submitted to outside parties for use or examination.		<small>APPROVED BY</small> AEK KMD KMD JJJ 12/20/10 12/20/10 12/20/10 12/20/10
<small>MATERIAL</small> N/A		
<small>PART NAME</small> QUADPLEX QILLESS RECIP. 15HP. 240GAL. BASEMOUNT DUPLEX DESICCANT		<small>DWG NO</small> MPQ1508 <small>SIZE</small> D



REV	ZONE	REVISION	DATE	ECN	NAME	CHKD
B-1	ALL	RELEASE TO PRODUCT ID#1	09/11/06	014337	DMS	DMS
C-1	ALL	ADDED ONE FRAME, NEW STYLE PANEL & TANK	11/07	21889	AEK	GES
D-1	ALL	UPDATED FLOW SCHEMATIC	12/3/07	21890	AEK	GES
E-1	D-4	ADDED HANG TAG	03/20/08	21907	DMS	GES
F-1	B-7	ADDED SPRING COLOR LOCATIONS	01/11/08	22039	GES	DMS
G-1	ALL	UPDATED FRAMES, DP, MONITOR, FLOW SCHEMATIC	02/09	22127	AEK	GES
H-1	ALL	REMOVED 1/2 BKE 3/4 & RELOCATED PANEL AND SPRING	02/04/09	22298	AEK	GES
J-1	ALL	UPDATED PUMP FRAMES	04/16/10	22407	AEK	GES
K-1	ALL	UPDATED AFTERCOOLER MOUNTING BRACKET	12/31/10	22407	AEK	GES
L-1	ALL	ADDED SHEETS 3 & 4	12/20/10	22348	AEK	KMD
L-1	ALL	ADDED PBM SHEETS	01/23/11	22659	AEK	GES
M-1	2 ALL	ADDED/UPDATED FLEX LINES	10/19/12	PRECC009	AEK	DMS
N-1	ALL	ADDED CO MONITOR TO SYSTEM LAYOUT	12/13/13	PRECC030	AEK	GES
P-1	2 DS	REMOVED SHUBBER VALVE	03/28/16	PRECC033	MLD	AEK
Q-1	1/4 ALL	UPDATED TO HANG DRYERS	01/01/17	PRECC074	AEK	GES
R	ALL	CHANGED TO TIGHTEN SPRING MOUNTING TANK, UPDATED TO TANK CENTER	01/02/19	PRECC0209	GES	MMW

	RELIEF VALVE		PRESSURE SWITCH
	INTAKE FILTER		REGULATOR
	AIR FILTER		SEPARATOR
	3 WAY VALVE		CHECK VALVE
	CARBON FILTER		FLEX LINE
	BALL VALVE		HIGH TEMP SWITCH
	SOLENOID VALVE		UNION

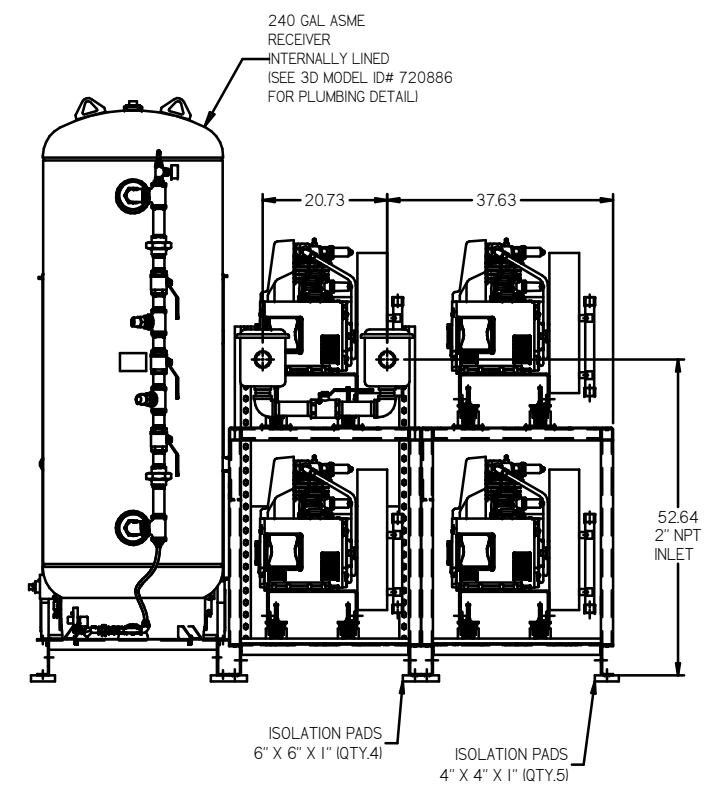
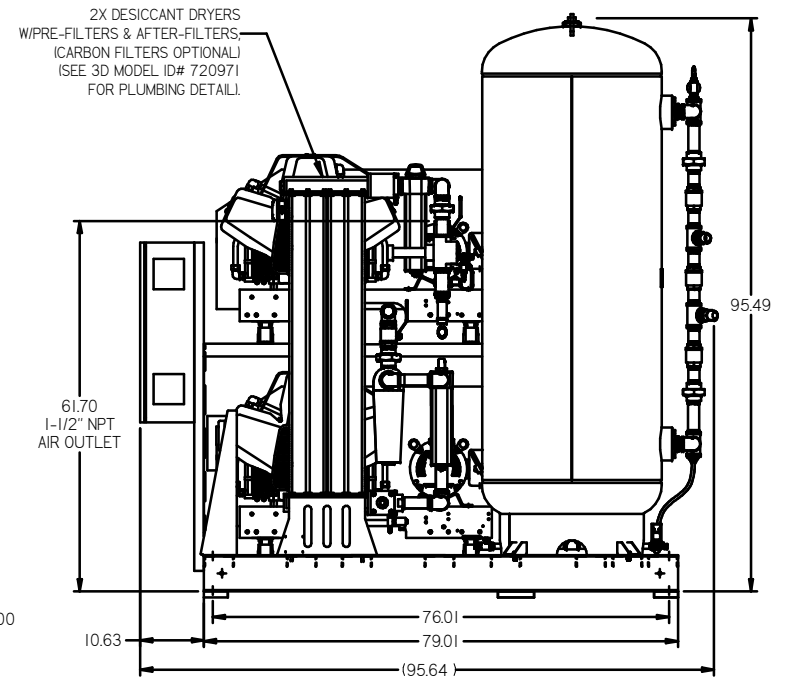
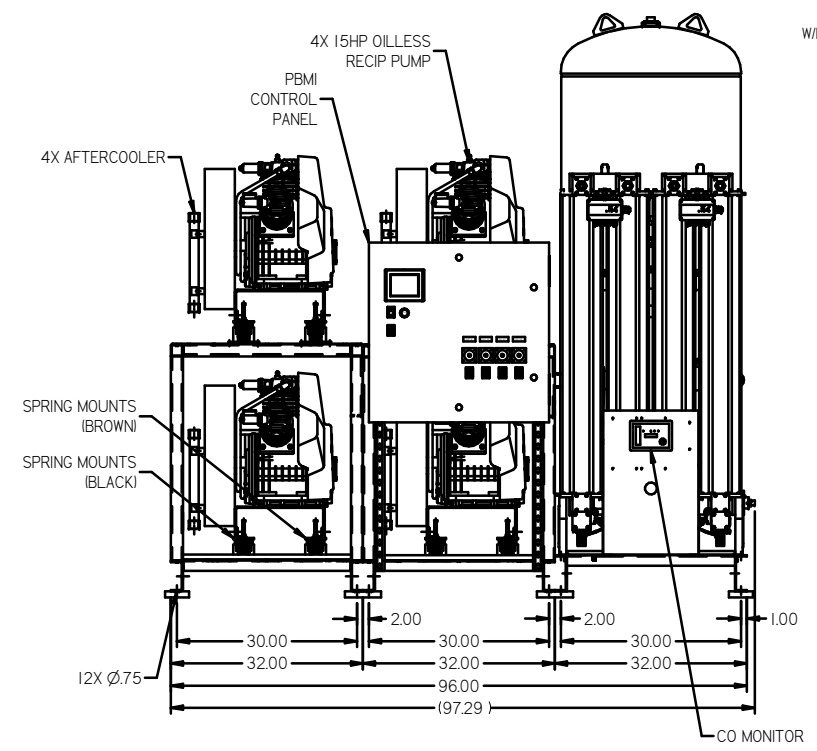
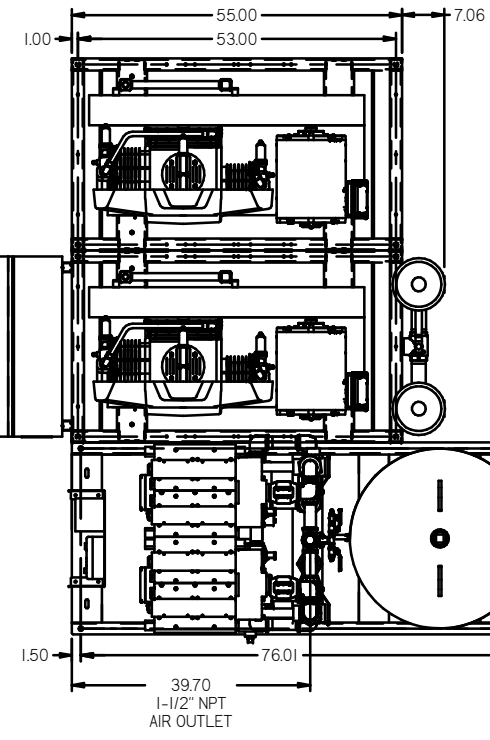
NOTES:  
 1) IF LAG 3 COMPRESSOR IS ENERGIZED ALARM WILL OCCUR.  
 2) PIPING TO THE INLET BY OTHERS AND TO BE PER NFPA99  
 3) INSTRUMENTS DOWN STREAM OF SOURCE VALVE TO BE SUPPLIED BY OTHERS.

MINUS DRAFT PLUS DRAFT	ADDITIONAL CONTROL REQ'D BRINELL HARDNESS	Drawings to conform to the current revision of the following standards: ASME Y14.3 Multi and Sectional View Drawings ASME Y14.5 Dimensioning and Tolerancing
TOLERANCES NOT SPECIFIED	AUTOCAD REL2000.1	DO NOT SCALE DRAWING FOR DIMENSIONS
XX ± XXX ± .4 DEC 1-2	INCH	Sheet 2 of 4 SCALE 1:16
CONFIDENTIAL DISCLOSURE This drawing is the property of POWEREX, Inc. or its affiliate, FELZER COMPANY and subject to return on demand. Its contents are confidential and must not be copied or submitted to outside parties for use or reproduction.	DRAWN BY: DMS CHECKED BY: DMS APPROVED BY: JJJ 09/11/06 09/11/06 09/11/06 09/11/06	
PART NAME: MEDICAL QUADPLEX OIL-LESS RECIP FLOW SCHEMATIC	DWG NO: MPQ1508	SIZE: D

REV	ZONE	REVISION	DATE	ECN	NAME	CHKD
1-1	ALL	ADDED P&ID SHEETS	9/23/11	PRE0001	AEK	GES
M-1	2 ALL	ADDED/UPDATED FLEX LINES	10/01/12	PRE0009	AEK	DMS
N-1	ALL	ADDED CO MONITOR TO SYSTEM LAYOUT	12/12/13	PRE0030	AEK	GES
P-1	2 BS	REMOVED SHLEBER VALVE	03/28/15	PRE0033	MJD	AEK
Q-1	1 SMALL	UPDATED TO NIND DRIVERS	8/10/17	PRE0074	AEK	GES
R	ALL	CHANGED TO TROST SPEEDS W/800000 TANK (UPDATED TO TEAM CENTER)	9/10/18	PRE035029	GES	MWH

MINIMUM RECOMMENDED ELECTRICAL PANEL CLEARANCE PER OSHA/NEC REQUIREMENTS

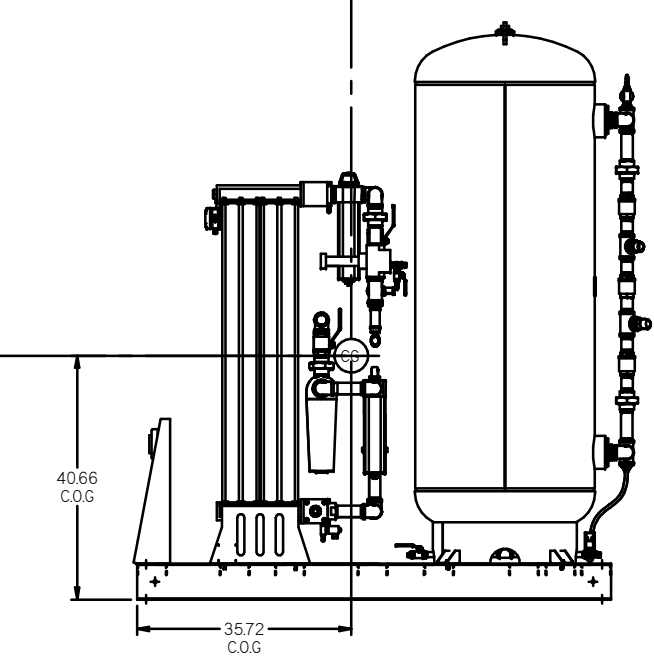
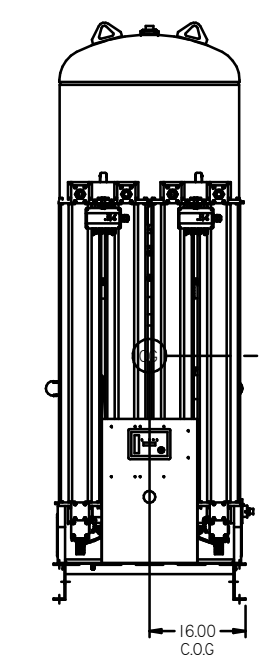
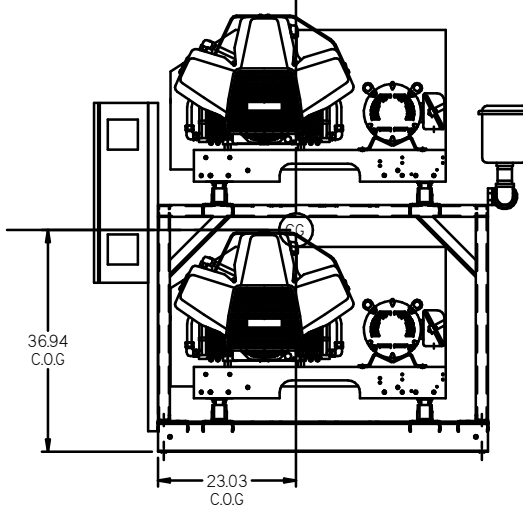
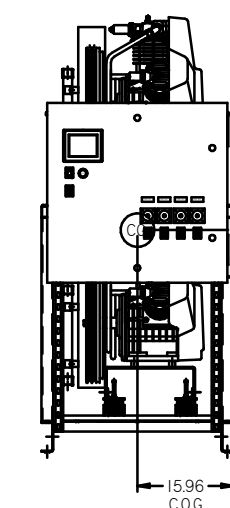
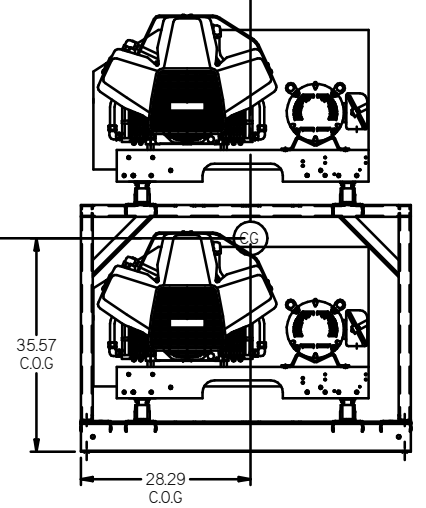
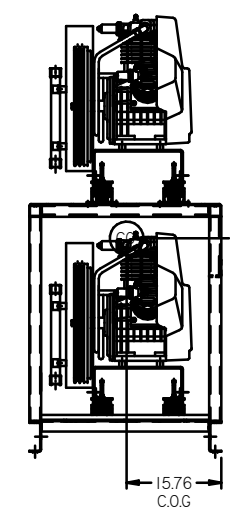
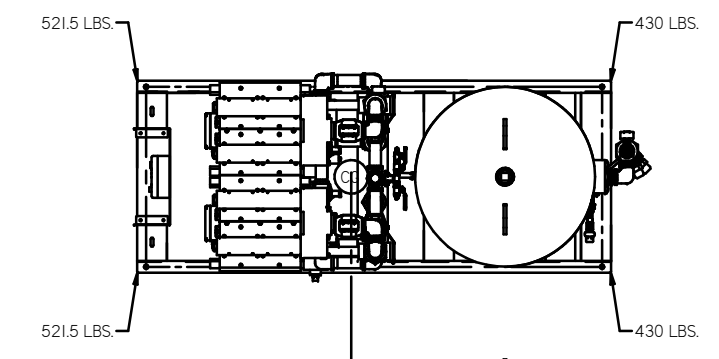
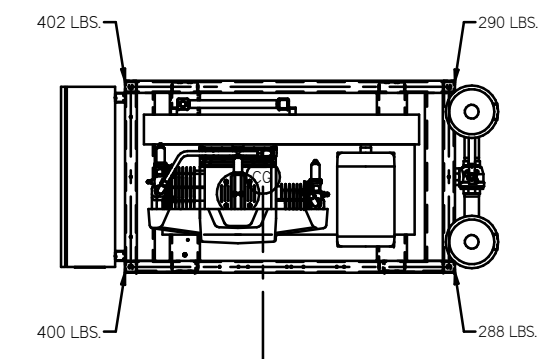
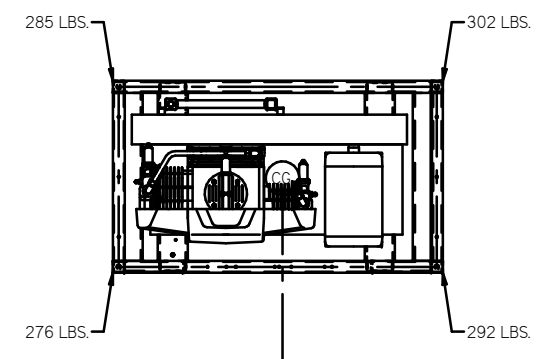
MINIMUM RECOMMENDED MAINTENANCE CLEARANCE



NOTE: SYSTEM DESIGNED IN COMPLIANCE WITH U.S. NFPA '99, LATEST EDITION.

DIMENSIONS NOT SPECIFIED XX ± XXX ± Δ REG. ±	AUTOCAD REL2008 <b>INCH</b>	DO NOT SCALE DRAWING FOR DIMENSIONS Sheet 1 of 4 SCALE 1:16
CONFIDENTIAL DISCLOSURE This drawing is the property of POWEREX INC. of the SCOTT FETZER COMPANY and subject to return on demand. Its contents are confidential and must not be copied or submitted to outside parties for use or reproduction.	DRAWN BY: AEK CHECKED BY: GES 9/23/11	APPROVED BY: DMS, RJR 9/23/11, 9/23/11, 9/23/11
MATERIAL: N/A PART NAME: QUADPLEX OILLESS RECIP. 15HP, 240GAL. BASEMOUNT DUPLEX DESICCANT		
DWG NO: MPQ1508	SIZE: D	DATE: 9/23/11

REV	ZONE	REVISION	DATE	ECN	NAME	CHKD
1	ALL	ADDED FBPM SHEETS	9/23/11	28889	AEK	GES
M-1	2 ALL	ADDED/UPDATED FLEX LINES	10/01/12	PRECD005	AEK	BMS
N-1	ALL	ADDED CO MONITOR TO SYSTEM LAYOUT	12/21/13	PRECD030	AEK	GES
P-1	2 SS	REMOVED SHUSSER VALVE	03/29/16	PRECD033	MJD	AEK
Q-1	1-4 ALL	UPDATED TO NANO DRIVERS	8/01/17	PRECD074	AEK	GES
R	ALL	CHANGED TO TROOP SPREAD REGISTRATION TNA UPDATED TO TNA CONTROL	8/08/18	PRECD092	GES	MMH



PUMP SKID:  
TOTAL WEIGHT: 1155 LBS  
C.O.G. DIMENSIONS  
X (FRONT): -15.76"  
Y (RIGHT): 28.29"  
Z (HEIGHT): 35.57"

PANEL/PUMP SKID:  
TOTAL WEIGHT: 1380 LBS  
C.O.G. DIMENSIONS  
X (FRONT): -15.96"  
Y (RIGHT): 23.03"  
Z (HEIGHT): 36.94"

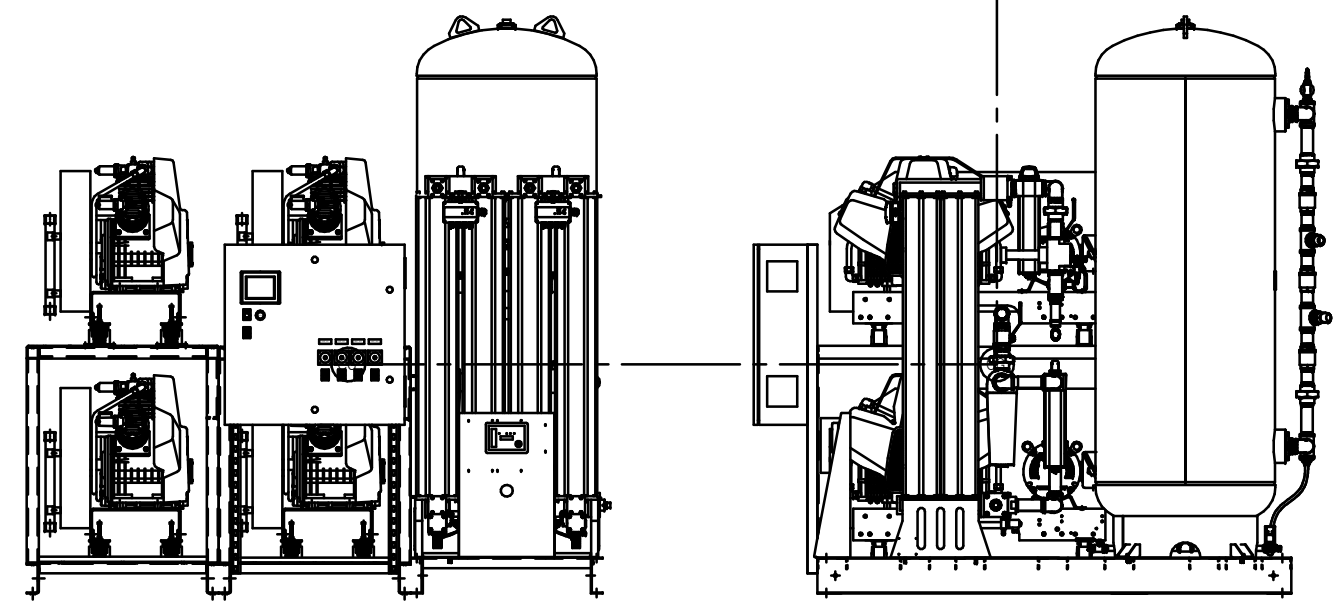
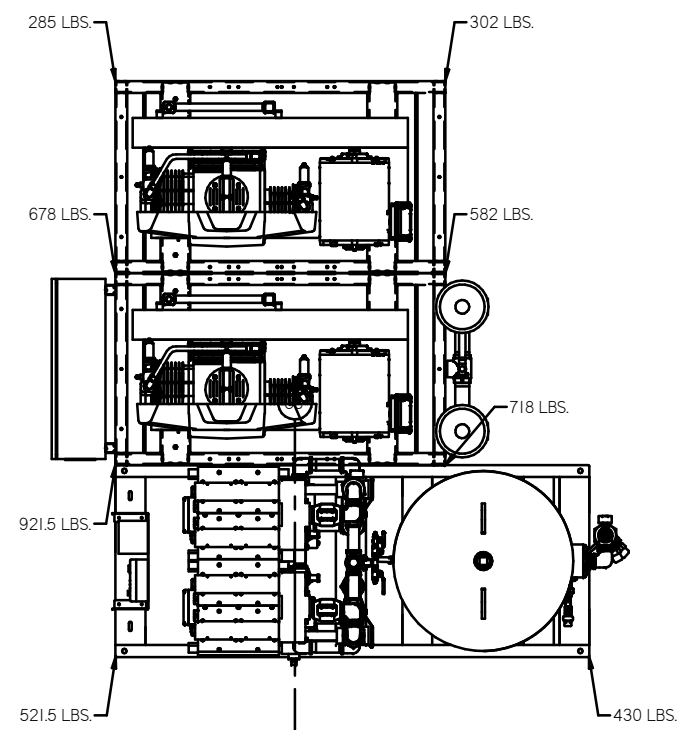
DRYER/TANK SKID:  
TOTAL WEIGHT: 1903 LBS  
C.O.G. DIMENSIONS  
X (FRONT): -16.00"  
Y (RIGHT): 35.72"  
Z (HEIGHT): 40.66"

Ⓞ denotes center of gravity

<ul style="list-style-type: none"> <li>⊖ = MINUS DRAFT</li> <li>⊕ = PLUS DRAFT</li> </ul>	<ul style="list-style-type: none"> <li>⊗ = ADDITIONAL CONTROL REQ'D</li> <li>⊘ = BRINELL HARDNESS</li> </ul>	Drawing to conform to the current revision of the following ANSI standards: V14.3 Multi and sectional view dgs V14.9 Dimensioning and tolerancing
TOLERANCES NOT SPECIFIED XX ± XXX ± .45G ±	AUTOCAD REL 2008 INCH	DO NOT SCALE DRAWING FOR DIMENSIONS Sheet 3 of 4 SCALE 1:16
CONFIDENTIAL DISCLOSURE This drawing is the property of POWEREX, INC. of the SCOTT FETZER COMPANY and subject to return on demand. Its contents are confidential and must not be copied or submitted to outside parties for use or examination.		
DRAWN BY: AEK CHECKED BY: GES DATE: 9/23/11	APPROVED BY: BMS DATE: 9/23/11	APPROVED BY: RJR DATE: 9/23/11
MATERIAL: N/A		
PART NAME: QUADPLEX DILLESS RECIP. 15HP. 240GAL. BASEMOUNT DUPLEX DESICCANT		
DWG NO: MPQ1508		SIZE: D

8 7 6 5 4 3 2 1

REV	ZONE	REVISION	DATE	ECN	NAME	CHKD
1	ALL	ADDED PUMP SHEETS	8/23/11	2007	AEK	GES
M-1	2 ALL	ADDED/UPDATED FLEX LINES	10/10/12	PREC0009	AEK	DMS
M-1	ALL	ADDED CO MONITOR TO SYSTEM LAYOUT	12/12/13	PREC0030	AEK	GES
P-1	2 DS	REMOVED DRUMMER VALVE	03/28/16	PREC0193	MJD	AEK
Q-1	1M-1	UPDATED TO NANO DRIVERS	8/10/17	PREC0174	AEK	GES
R	41	CHANGED TO TROOP DRIVE, WASHINGTON TIME RELATED TO TOWN CENTER	9/10/19	PREC03039	GES	MAY

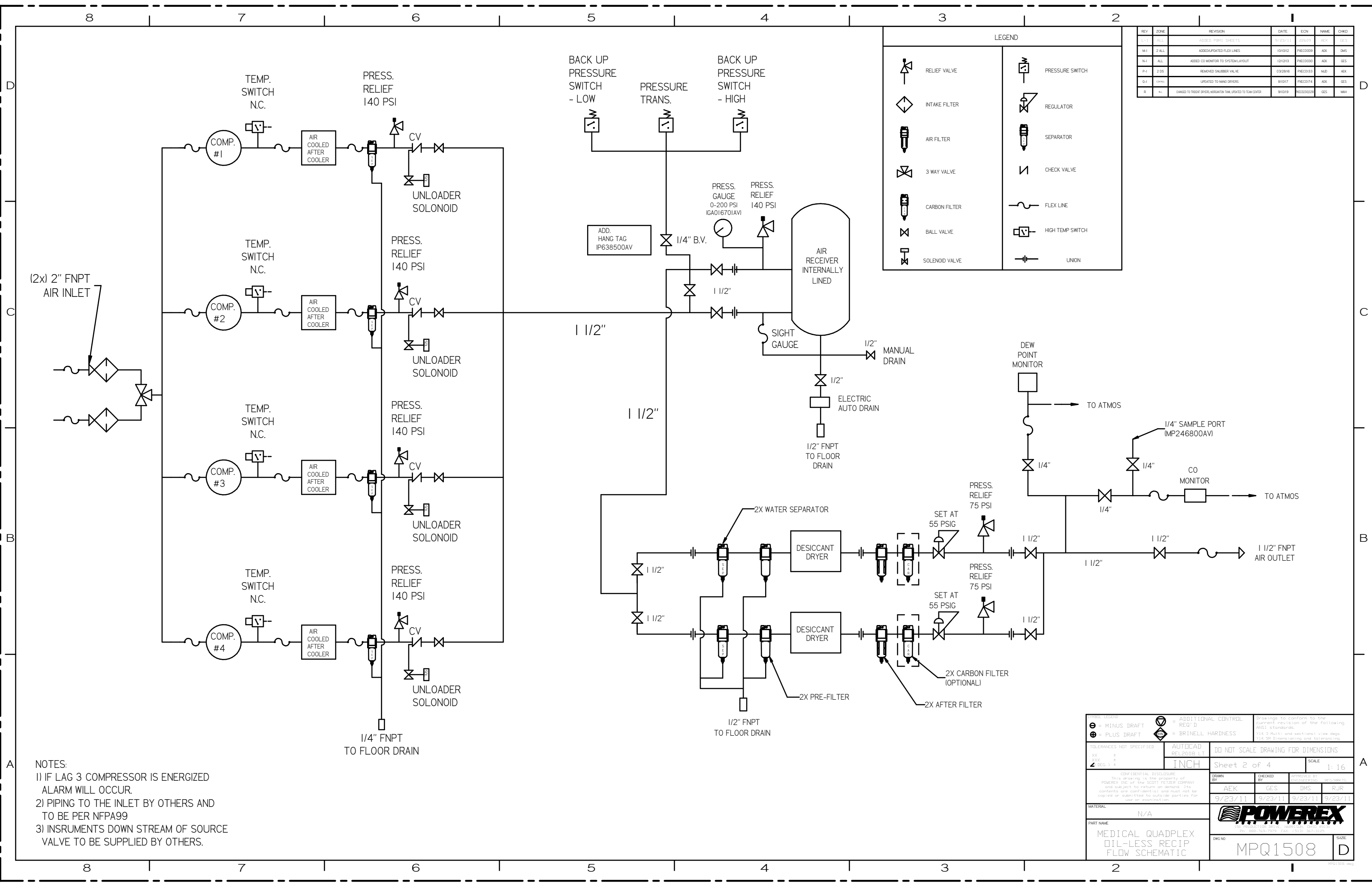


SYSTEM  
 TOTAL WEIGHT: 4438 LBS  
 C.O.G. DIMENSIONS  
 X (FRONT): -42.39"  
 Y (RIGHT): 29.93"  
 Z (HEIGHT): 38.17"

CG denotes center of gravity

TOLERANCES NOT SPECIFIED XX ± XXX ± Z (REG) ±	AUTOCAD REL2008 L	= MINUS DRAFT = PLUS DRAFT	= ADDITIONAL CONTROL REG'D = BRINELL HARDNESS	Drawings to conform to the following standards: ASME standards 114.3 Multi and sectional view steps 114.3M Dimensioning and tolerancing
DO NOT SCALE DRAWING FOR DIMENSIONS		SHEET 4 OF 4		SCALE 1:16
THIS DRAWING IS THE PROPERTY OF POWEREX, INC. OF THE SCOTT PFEIZER COMPANY and is subject to return on demand. Its contents are confidential and must not be copied or submitted to outside parties for use or examination.		DRAWN BY AEK	CHECKED BY GES	APPROVED BY DMS RJR
MATERIAL N/A		DATE 9/23/11	DATE 9/23/11	DATE 9/23/11
PART NAME QUADPLEX DILLEC RECIP. 15HP, 240GAL. BASEMOUNT DUPLEX DESICCANT		<b>POWEREX</b> 150 PRODUCTION DRIVE, HARRISON, OHIO 45030 TEL: 503-755-7079 FAX: 513-353-3125		Dwg No MPQ1508

8 7 6 5 4 3 2 1



LEGEND

	RELIEF VALVE		PRESSURE SWITCH
	INTAKE FILTER		REGULATOR
	AIR FILTER		SEPARATOR
	3 WAY VALVE		CHECK VALVE
	CARBON FILTER		FLEX LINE
	BALL VALVE		HIGH TEMP SWITCH
	SOLENOID VALVE		UNION

REV	ZONE	REVISION	DATE	ECN	NAME	CHKD
1-1	ALL	ADDED P&ID SHEETS	8/23/11	65009	AEK	GES
M-1	2 ALL	ADDED/UPDATED FLEX LINES	10/10/12	PHEC0009	AEK	DMS
N-1	ALL	ADDED CO MONITOR TO SYSTEM LAYOUT	12/12/13	PHEC0030	AEK	GES
P-1	2,35	REMOVED SHUBBER VALVE	03/28/16	PHEC0103	NLD	AEK
Q-1	10,44	UPDATED TO HAWK DRYERS	8/10/17	PHEC0174	AEK	GES
R	ALL	CHANGED TO TRIDENT SPECIAL WARRANTY FROM UPDATED TO TFM CENTER	9/10/19	PHEC020209	GES	MMH

NOTES:  
 1) IF LAG 3 COMPRESSOR IS ENERGIZED ALARM WILL OCCUR.  
 2) PIPING TO THE INLET BY OTHERS AND TO BE PER NFPA99  
 3) INSTRUMENTS DOWN STREAM OF SOURCE VALVE TO BE SUPPLIED BY OTHERS.

TOLERANCES NOT SPECIFIED XX ± .XX ± .000 ±	AUTOCAD REL:2008.U.T INCH	DO NOT SCALE DRAWING FOR DIMENSIONS Sheet 2 of 4 SCALE 1:16
COMPENSATION: 10000000 This drawing is the property of POWEREX Inc. or the SCOTT FETTER COMPANY and subject to return on demand. Its contents are confidential and must not be copied or subjected to multiple printouts for use or reproduction.	DRAWN BY: AEK CHECKED BY: GES 9/23/11 9/23/11 9/23/11 9/23/11	APPROVED BY: ENGINEERING: MFG/WRKTS: DMS, RJR
MATERIAL: N/A PART NAME: MEDICAL QUADPLEX OIL-LESS RECIP FLOW SCHEMATIC		DWG NO: MPQ1508 SIZE: D