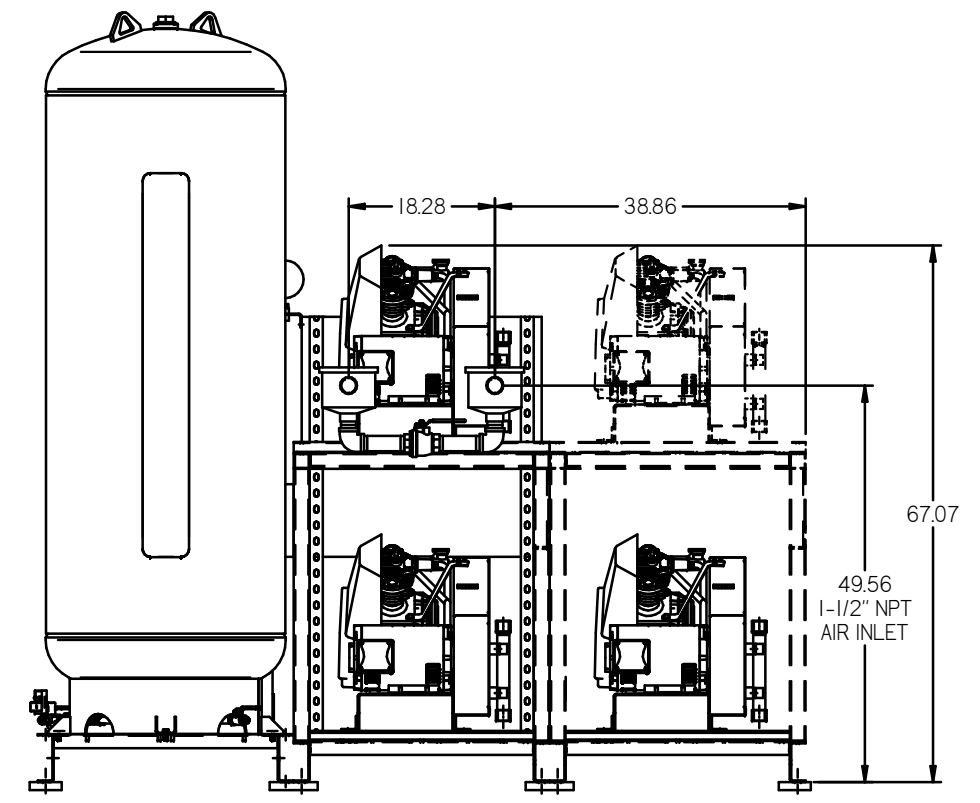
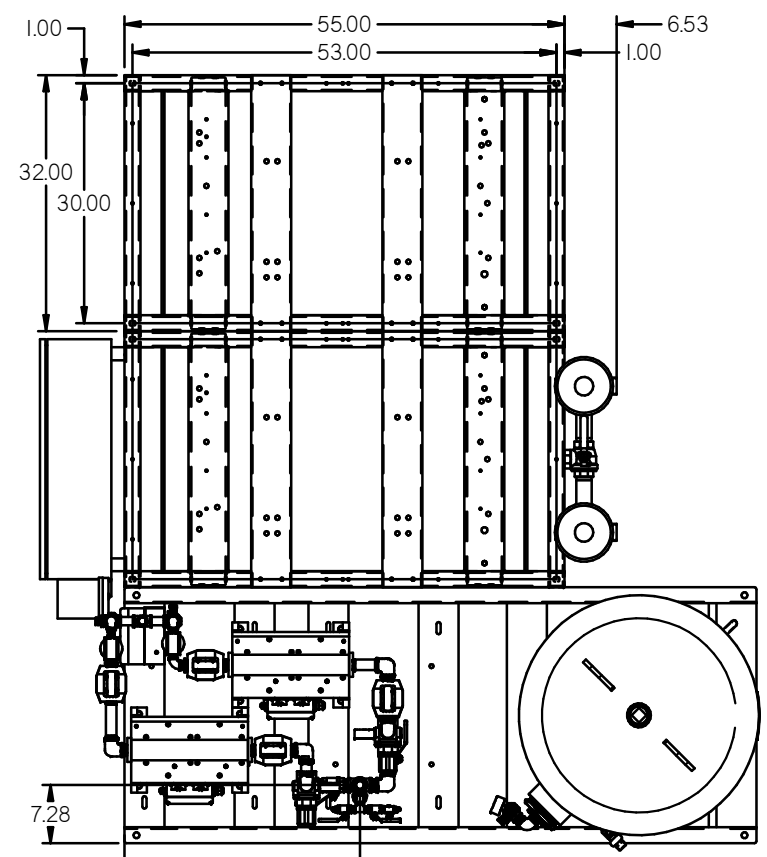


NOTE: A MINIMUM OF 24" CLEARANCE IS RECOMMENDED AROUND THE ENTIRE UNIT.

REV	ZONE	REVISION	DATE	ECN	NAME	CHKD
1	ALL	RELEASE TO PRODUCTION	7/30/19		GES	MAH



VIEW A-A

NOTE: SYSTEM DESIGNED IN COMPLIANCE WITH U.S. NFPA '99, LATEST EDITION.

2X DESICCANT DRYERS W/ PRE-FILTERS & AFTER-FILTERS. CARBON FILTERS ARE OPTIONAL.
SEE 3D MODEL ID# 721928 FOR PLUMBING DETAIL

240GAL ASME RECEIVER INTERNALLY LINED
SEE 3D MODEL ID# 722103 FOR PLUMBING DETAIL

BASIC CONTROL PANEL PRM-415 SERIES

(3X) 5HP OILLESS RECIP PUMP

EXPANSION UNIT

CO MONITOR

DEW POINT MONITOR

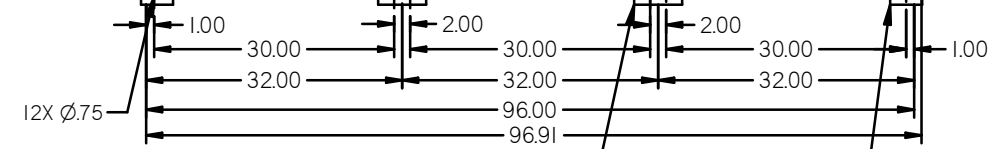
(3X) AFTERCOOLER

44.05 1" NPT AIR OUTLET

29.42 1" NPT AIR OUTLET

96.19

1.50



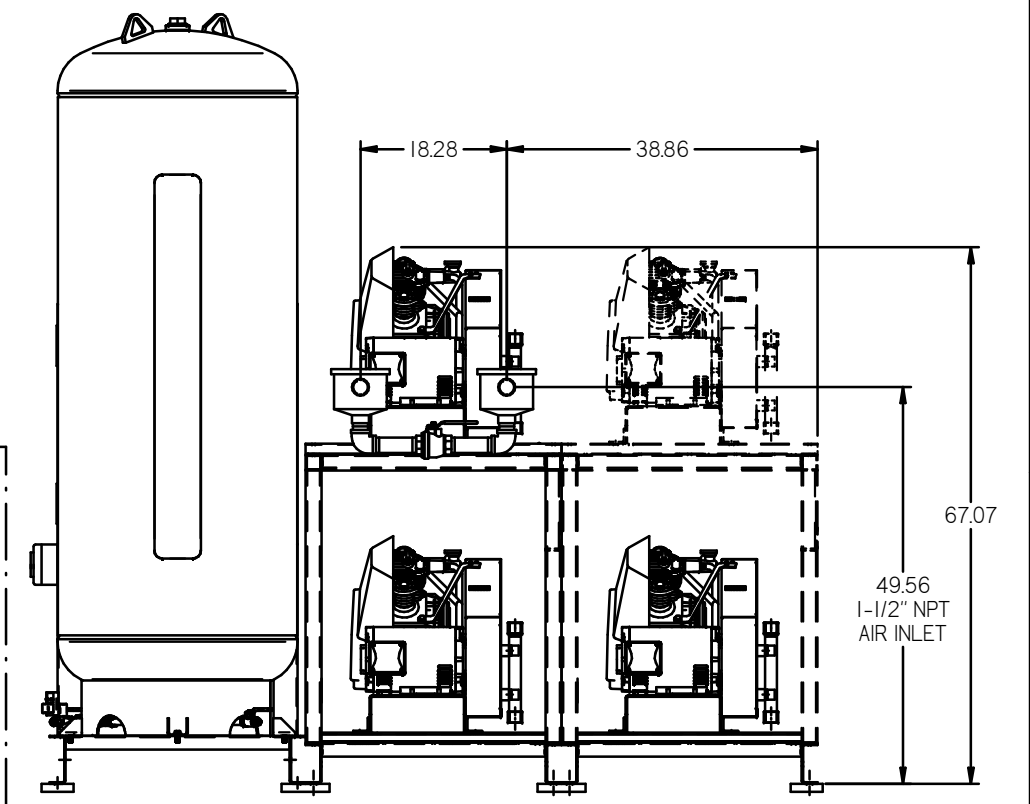
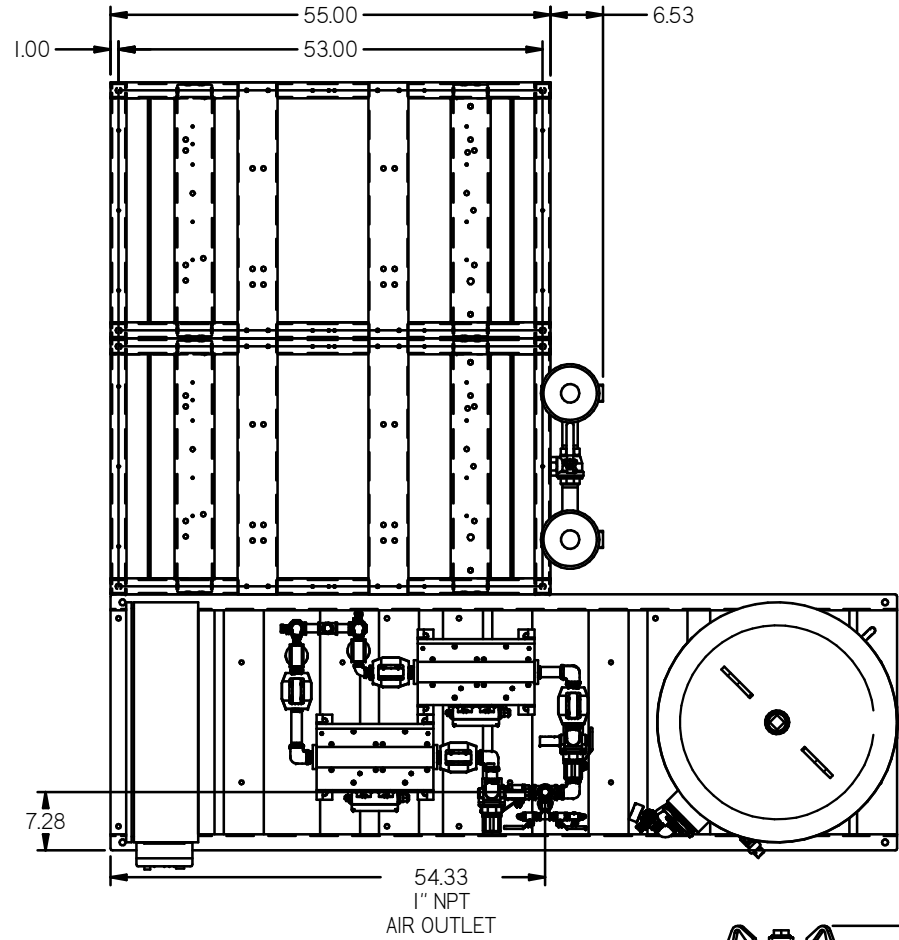
ISOLATION PADS 6" X 6" X 1" (QTY.4)

ISOLATION PADS 4" X 4" X 1" (QTY.5)

<p>MINUS DRAFT</p> <p>PLUS DRAFT</p> <p>CONFIDENTIAL DECISION</p> <p>DO NOT SCALE DRAWING FOR DIMENSIONS</p> <p>Sheet 1 of 2</p> <p>SCALE 1:12</p> <p>DATE 7/30/19</p> <p>DESIGNED BY GES</p> <p>CHECKED BY MAH</p> <p>APPROVED BY GES</p> <p>DATE 7/30/19</p> <p>DATE 7/30/19</p> <p>DATE 7/30/19</p>	<p>ADDITIONAL CONTROL REQ'D</p> <p>BRINELL HARDNESS</p> <p>AUTOCAD SE10</p> <p>INCH</p> <p>CONFIDENTIAL DECISION</p> <p>THIS DRAWING IS THE PROPERTY OF POWEREX, INC. OF THE SCOTT FETZER COMPANY and subject to return on demand. The contents are confidential and must not be copied or submitted to outside parties for use or reproduction.</p> <p>MATERIAL N/A</p> <p>PART NAME TRIPLEX-EX4 DL RECIP 5HP 240G BASEMOUNT DUPLEX DESICCANT</p> <p>DWG NO MPT0508-EX4</p> <p>SIZE D</p>
--	--

NOTE: A MINIMUM OF 24" CLEARANCE IS RECOMMENDED AROUND THE ENTIRE UNIT.

REV	ZONE	REVISION	DATE	ECN	NAME	CRD
1	ALL	RELEASE TO PRODUCTION	7/30/19		GES	MAH



VIEW A-A

NOTE: SYSTEM DESIGNED IN COMPLIANCE WITH U.S. NFPA '99, LATEST EDITION.

240GAL ASME RECEIVER INTERNALLY LINED
SEE 3D MODEL ID# 722103 FOR PLUMBING DETAIL

PBMI CONTROL PANEL
PBMA416 SERIES

(3X) 5HP OILLESS RECIP PUMP

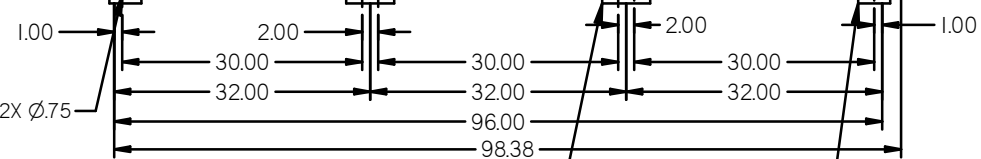
(3X) AFTERCOOLER

EXPANSION UNIT

2X DESICCANT DRYERS W/ PRE-FILTERS & AFTER-FILTERS. CARBON FILTERS ARE OPTIONAL.
SEE 3D MODEL ID# 721928 FOR PLUMBING DETAIL

CO MONITOR

44.05 1\"/>

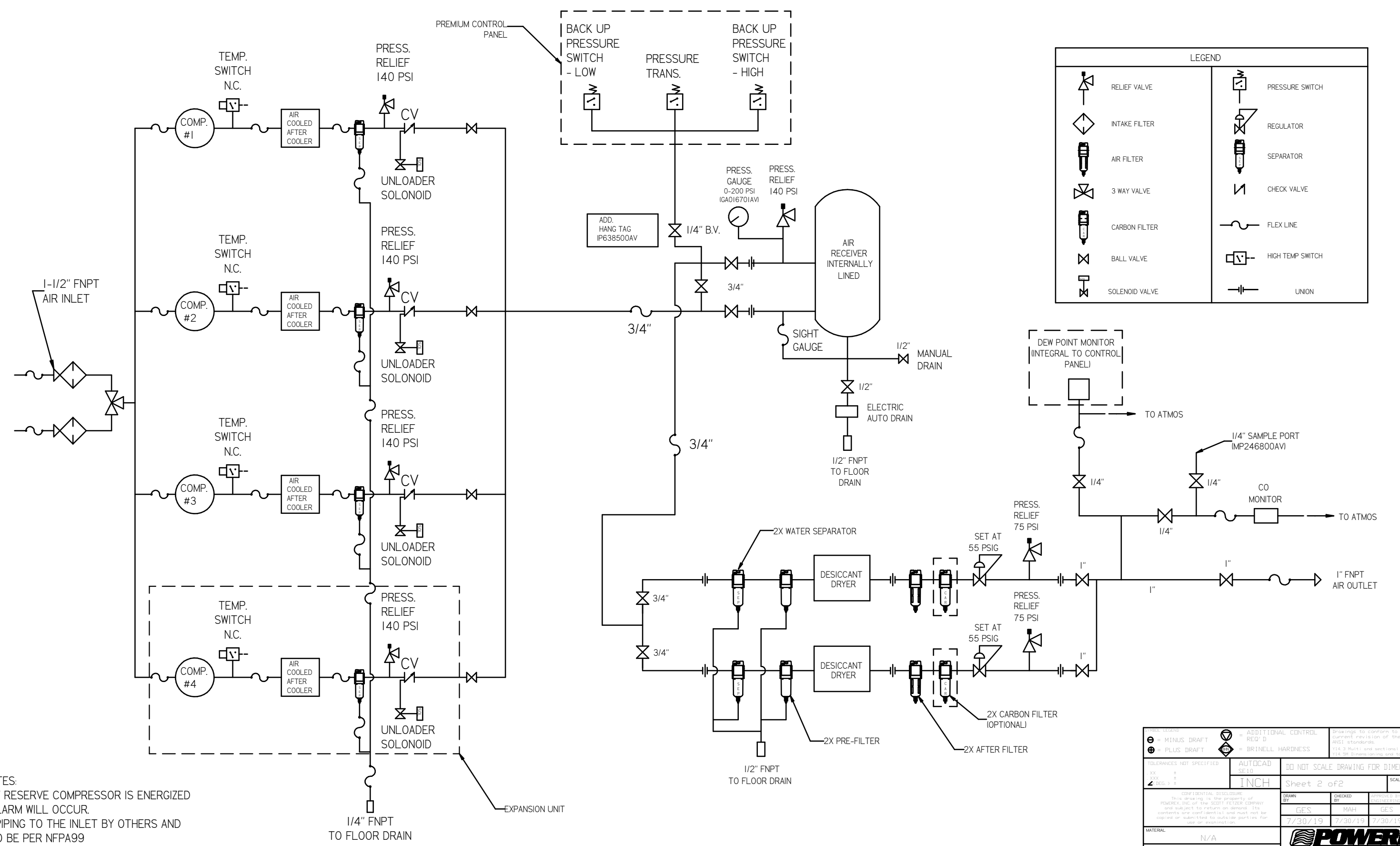


ISOLATION PADS 6" X 6" X 1" (QTY.4)

ISOLATION PADS 4" X 4" X 1" (QTY.5)

<p>SYMBOL LEGEND</p> <ul style="list-style-type: none"> ⊖ = MINUS DRAFT ⊕ = PLUS DRAFT ⊕ = ADDITIONAL CONTROL REQ'D ⊕ = BRINELL HARDNESS 		<p>Drawings to conform to the current revision of the following AWS standards:</p> <ul style="list-style-type: none"> 11.3 Multi and sectional view steps 11.4 SW Dimensioning and Tolerancing 	
<p>TOLERANCES NOT SPECIFIED</p> <p>XX ±</p> <p>XXX ±</p> <p>ZZ (DEC) ±</p>		<p>AUTOCAD SE10</p> <p>INCH</p>	
<p>CONFIDENTIAL DISCLOSURE: This drawing is the property of POWEREX, INC. of the SCOTT FETZER COMPANY and subject to return on demand. Its contents are confidential and must not be copied or submitted to outside parties for use or examination.</p>		<p>DO NOT SCALE DRAWING FOR DIMENSIONS</p> <p>Sheet 1 of 2</p> <p>SCALE 1:12</p>	
<p>MATERIAL N/A</p>		<p>DRWN BY: GES</p> <p>CHECKED BY: MAH</p> <p>APPROVED BY: GES</p> <p>7/30/19 7/30/19 7/30/19</p>	
<p>PART NAME: TRIPLEX-EX4 DL RECIP 5HP 240G BASEMOUNT DUPLEX DESICCANT</p>		<p>POWEREX</p> <p>150 PRODUCTION DRIVE HARRISBURG, OHIO 45030</p> <p>TEL: 502-762-0274 FAX: 502-762-0275</p>	
<p>SIZE: D</p>		<p>QTY: 1</p>	

REV	ZONE	REVISION	DATE	EDN	NME	DWD
A	ALL	RELEASE TO PRODUCTION	7/30/19	RESERVED	GES	MAH



LEGEND	
	RELIEF VALVE
	INTAKE FILTER
	AIR FILTER
	3 WAY VALVE
	CARBON FILTER
	BALL VALVE
	SOLENOID VALVE
	PRESSURE SWITCH
	REGULATOR
	SEPARATOR
	CHECK VALVE
	FLEX LINE
	HIGH TEMP SWITCH
	UNION

- NOTES:
- 1) IF RESERVE COMPRESSOR IS ENERGIZED ALARM WILL OCCUR.
 - 2) PIPING TO THE INLET BY OTHERS AND TO BE PER NFPA99
 - 3) INSTRUMENTS DOWN STREAM OF SOURCE VALVE TO BE SUPPLIED BY OTHERS.

MINUS DRAFT PLUS DRAFT TOLERANCES NOT SPECIFIED XX ± XXX ± 4 DEC 1-3	ADDITIONAL CONTROL REQ'D BRINELL HARDNESS AUTOCAD SE10 INCH DO NOT SCALE DRAWING FOR DIMENSIONS Sheet 2 of 2 SCALE 1:12	CONFIDENTIAL DISCLOSURE This drawing is the property of POWEREX, INC. of the SCOTT FETZER COMPANY and subject to return on demand. Its contents are confidential and must not be copied or submitted to outside parties for use or examination.
DRAWN BY: GES CHECKED BY: MAH 7/30/19	APPROVED BY: [Signature] 7/30/19	MATERIAL: N/A PART NAME: TRI-EX4 RECIP MED PACKAGE FLOW SCHEMATIC Dwg No: MPT0508-EX4 SIZE: D