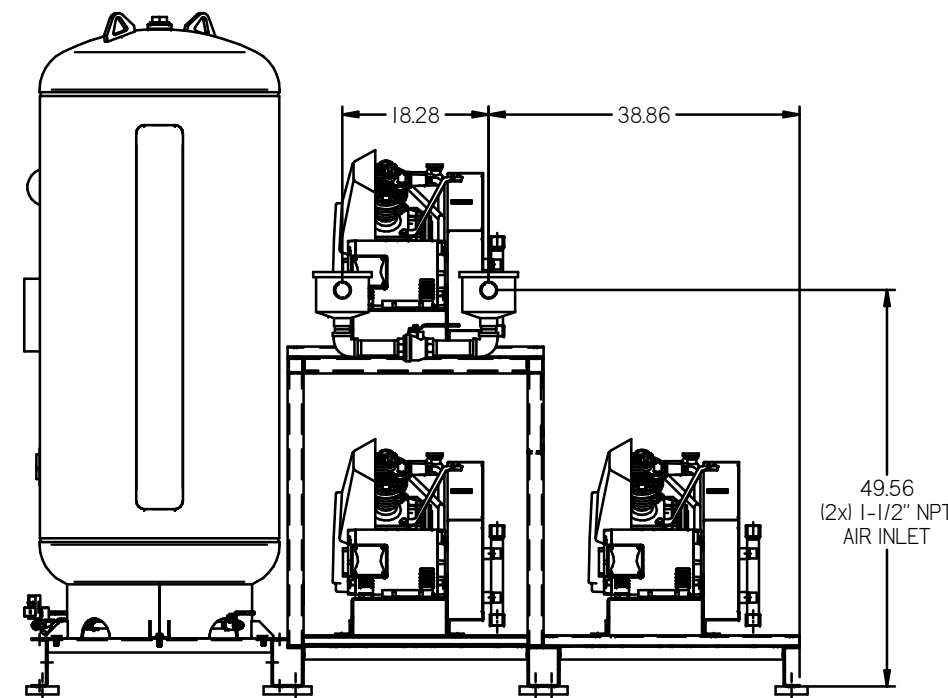
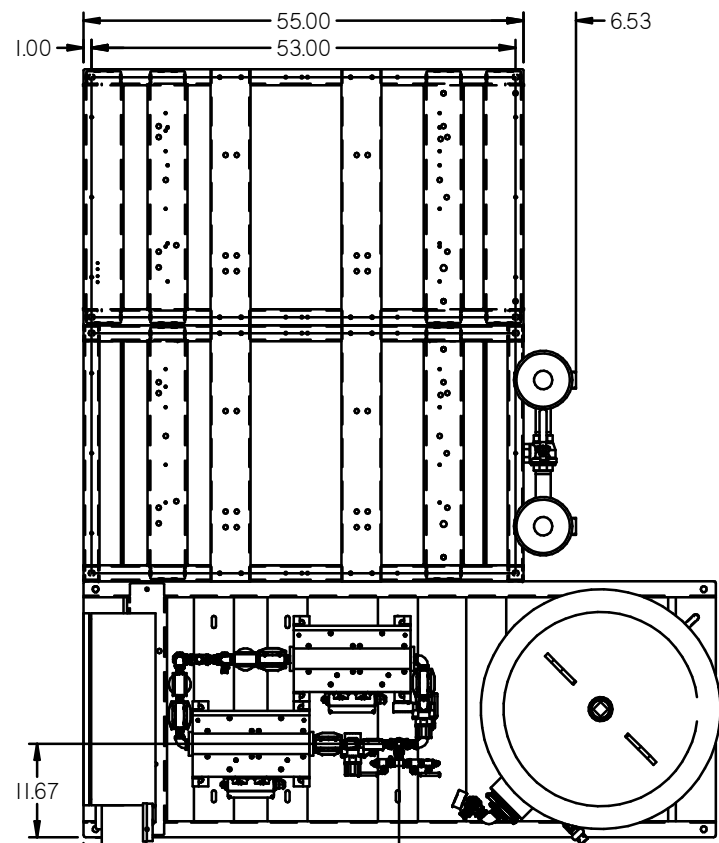


NOTE: A MINIMUM OF 24" CLEARANCE IS RECOMMENDED AROUND THE ENTIRE UNIT.

| REV | ZONE  | REVISION                                      | DATE     | ECN     | NAME | CHKD |
|-----|-------|---|----------|---------|------|------|
| B-1 | ALL   | RELEASED TO PRODUCTION                        | 04/11/06 | 11555   | RSN  | GES  |
| B-2 | PL3   | ADDED COG W/SLIDE BASES                       | 10/18/06 | 21436   | GES  | DMS  |
| C-1 | BL7   | REMOVED SPRINGS                               | 01/10/07 | 22030   | GES  | DMS  |
| D-1 | ALL   | UPDATED BUILD & FLOW TO CURRENT PRODUCTION    | 11/14/07 | 22348   | AEK  | GES  |
| E-1 | 1 ALL | UPDATED TO CURRENT FRAMES                     | 11/03/10 | 22407   | AEK  | GES  |
| F-1 | ALL   | ADDED FRM SHEETS                              | 09/01/11 | 22659   | AEK  | GES  |
| G-1 | 1 ALL | CORRECTED RECEIVER TO 200 GALLON              | 2/16/12  | 22723   | AEK  | GES  |
| H-1 | 2 CS  | REMOVED SHAMBER VALVE                         | 02/03/16 | PXC0133 | MJD  | AEK  |
|     | 2 CS  | CHANGED SENSING LOCATION                      |          |         |      |      |
| J-1 | 1 ALL | CHANGED TO NEW BS DESIGN                      | 7/14/16  | PXC0132 | AEK  | GES  |
| K   | ALL   | CHANGED TO TRIPLEX OILLESS RECIPROCATING PUMP | 01/13/19 | 300070  | AEK  | RSN  |



VIEW A-A

NOTE: SYSTEM DESIGNED IN COMPLIANCE WITH U.S. NFPA '99, LATEST EDITION.

200GAL ASME RECEIVER INTERNALLY LINED  
SEE 3D MODEL ID# 721887 FOR PLUMBING DETAIL

2X DESICCANT DRYERS W/ PRE-FILTERS & AFTER-FILTERS. CARBON FILTERS ARE OPTIONAL.  
SEE 3D MODEL ID# 722271 FOR PLUMBING DETAIL

BASIC CONTROL PANEL PRM315 SERIES

3X AFTERCOOLER

3X 5HP OILLESS RECIP PUMP

DEW POINT MONITOR

CO MONITOR

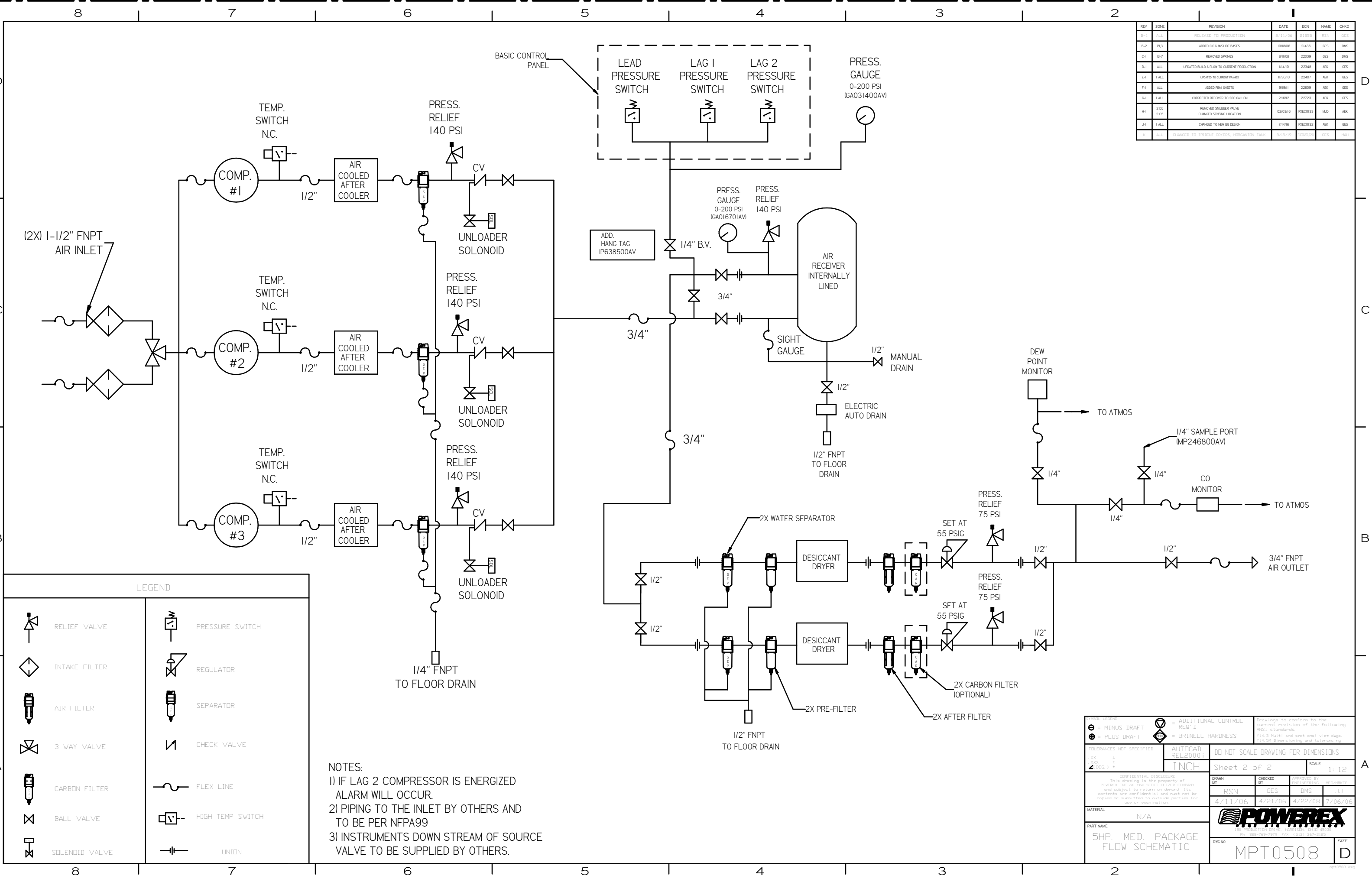
40.87 3/4\"/>

ISOLATION PADS 6" X 6" X 1" (QTY.4)

ISOLATION PADS 4" X 4" X 1" (QTY.5)

|  |  |
|--|--|
| <p>SYMBOL LEGEND</p> <p>⊖ = MINUS DRAFT</p> <p>⊕ = PLUS DRAFT</p> <p>⊕ = ADDITIONAL CONTROL REQ'D</p> <p>⊕ = BRINELL HARDNESS</p>  | <p>Drawings to conform to the current revision of the following ANSI standards:</p> <p>(14.3 Multi and sectional view degn.</p> <p>(14.4 3rd Angle Projection)</p> |
| <p>TOLERANCES NOT SPECIFIED</p> <p>XX ±</p> <p>XX ±</p> <p>2 DEG ±</p>   | <p>AUTOCAD REL2000</p> <p>INCH</p> <p>DO NOT SCALE DRAWING FOR DIMENSIONS</p> <p>Sheet 1 of 2</p> <p>SCALE 1:12</p>  |
| <p>CONFIDENTIAL DISCLOSURE</p> <p>This drawing is the property of POWEREX INC. or the SCOTT FITZER COMPANY and subject to return on demand. Its contents are confidential and must not be copied or submitted to outside parties for use or examination.</p> | <p>DRWN BY: RSN</p> <p>CHEK BY: GES</p> <p>APPROVED BY: DMS</p> <p>04/11/06 4/21/06 4/22/06 7/06/06</p>  |
| <p>MATERIAL</p> <p>PART NAME</p> <p>TRIPLEX OILLESS RECIP. 5HP, 200GAL. BASEMOUNT DUPLEX DESICCANT</p>   | <p>POWEREX</p> <p>135 PRODUCTION DRIVE, HARRISON, OHIO 45030</p> <p>TEL: 503-763-7979 FAX: 513-763-3125</p> <p>SIZE: D</p> <p>ENG: MPT0508</p>                     |

| REV | ZONE         | REVISION  | DATE     | ECN    | NAME    | CHKD |
|-----|--------------|---|----------|--------|---------|------|
| B-1 | ALL          | RELEASE TO PRODUCTION                             | 10/11/06 | 01505  | RSN     | GES  |
| B-2 | PL3          | ADDED CLOG W/LEAK BASES                           | 10/16/06 | 21436  | GES     | DMS  |
| C-1 | BB-7         | REMOVED SPRINGS                                   | 01/05/06 | 22039  | GES     | DMS  |
| D-1 | ALL          | UPDATED BUILD & FLOW TO CURRENT PRODUCTION        | 10/10/10 | 22348  | AEK     | GES  |
| E-1 | 1 ALL        | UPDATED TO CURRENT FRAMES                         | 10/30/10 | 22407  | AEK     | GES  |
| F-1 | ALL          | ADDED P&ID SHEETS                                 | 9/19/11  | 22609  | AEK     | GES  |
| G-1 | 1 ALL        | CORRECTED RECEIVER TO 200 GALLON                  | 2/16/12  | 22723  | AEK     | GES  |
| H-1 | 2 DS<br>2 CS | REMOVED SLUBBER VALVE<br>CHANGED SENSING LOCATION | 02/03/16 |        | PRECD33 | MJD  |
| J-1 | 1 ALL        | CHANGED TO NEW BC DESIGN                          | 7/14/16  |        | PRECD32 | AEK  |
| K-1 | ALL          | CHANGED TO PRODUCT SERVER, INDICATOR, P&ID        | 01/07/19 | 102239 | GES     | THA  |



**LEGEND**

|  |                |  |                  |
|--|----------------|--|------------------|
|  | RELIEF VALVE   |  | PRESSURE SWITCH  |
|  | INTAKE FILTER  |  | REGULATOR        |
|  | AIR FILTER     |  | SEPARATOR        |
|  | 3 WAY VALVE    |  | CHECK VALVE      |
|  | CARBON FILTER  |  | FLEX LINE        |
|  | BALL VALVE     |  | HIGH TEMP SWITCH |
|  | SOLENOID VALVE |  | UNION            |

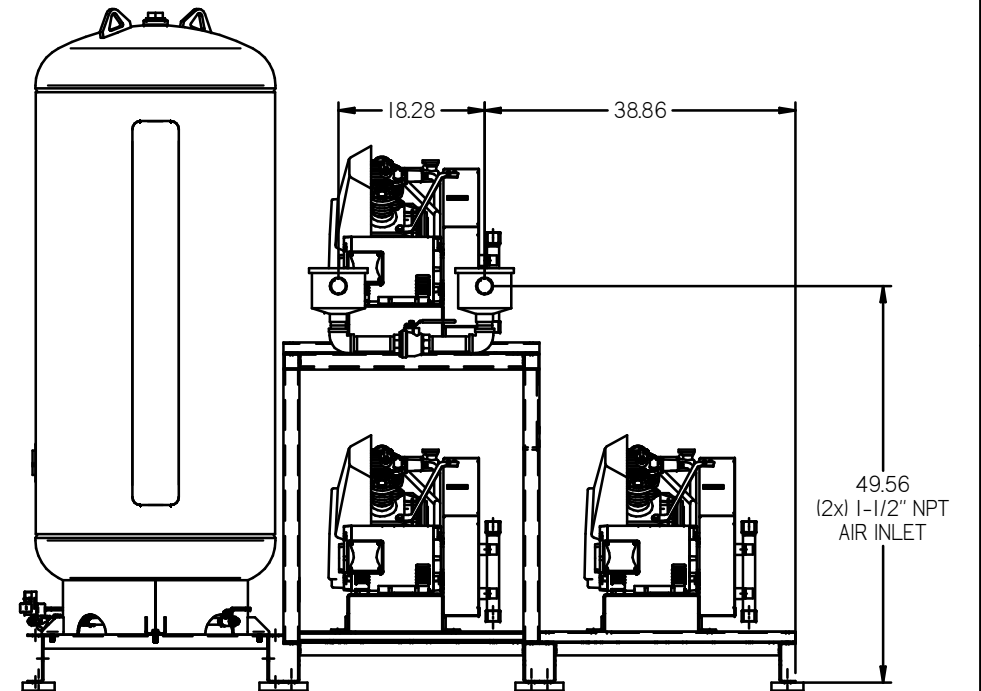
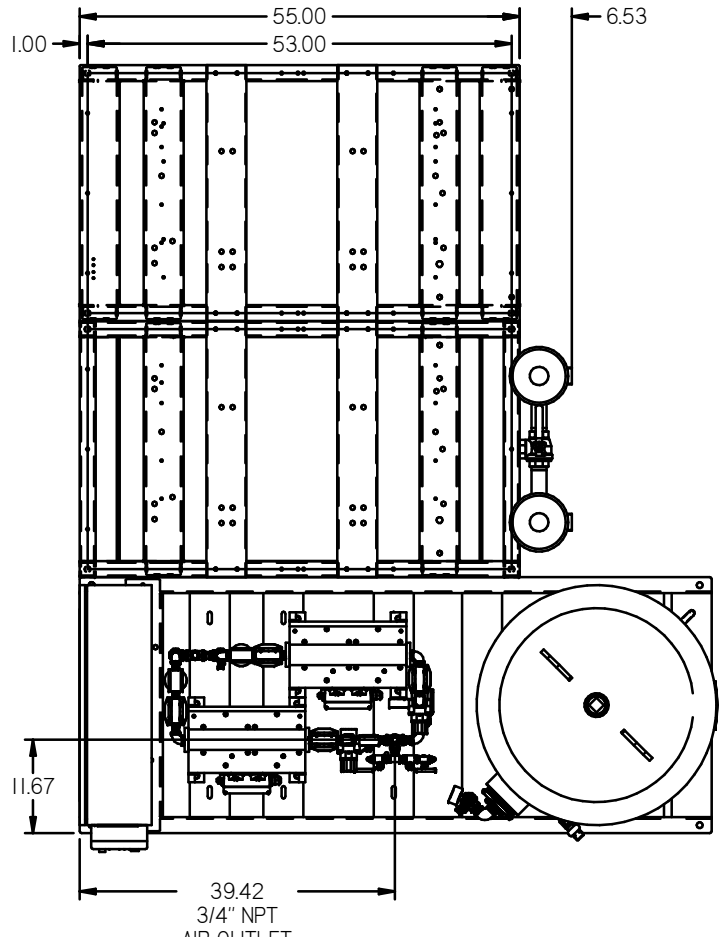
**NOTES:**  
 1) IF LAG 2 COMPRESSOR IS ENERGIZED ALARM WILL OCCUR.  
 2) PIPING TO THE INLET BY OTHERS AND TO BE PER NFPA99  
 3) INSTRUMENTS DOWN STREAM OF SOURCE VALVE TO BE SUPPLIED BY OTHERS.

|   |                                     |   |
|---|-------------------------------------|---|
| TOLERANCES NOT SPECIFIED<br>XX ±<br>XXX ±<br><math>\sqrt[4]{\text{DEC}}</math> ±  | AUTOCAD<br>REL2000.1<br><b>INCH</b> | DO NOT SCALE DRAWING FOR DIMENSIONS<br>Sheet 2 of 2<br>SCALE 1:12 |
| CONFIDENTIAL DISCLOSURE<br>This drawing is the property of POWEREX INC. of the SCOTT FETZER COMPANY and subject to return on demand. Its contents are confidential and must not be copied or submitted to outside parties for use on any project. |                                     |   |
| MATERIAL: N/A   |                                     |   |
| PART NAME: SHP. MED. PACKAGE FLOW SCHEMATIC   |                                     | DWG NO: MPT0508<br>SIZE: D  |

8 7 6 5 4 3 2 1

NOTE: A MINIMUM OF 24" CLEARANCE IS RECOMMENDED AROUND THE ENTIRE UNIT.

| REV | ZONE         | REVISION   | DATE     | ECN     | NAME | CHKD |
|-----|--------------|--|----------|---------|------|------|
| 1   | ALL          | ISSUED FROM SHEETS                               | 9/19/11  | 28657   | AEK  | GES  |
| 2   | FALL         | CORRECTED RECEIVER TO 200 GALLON                 | 2/16/12  | 22723   | AEK  | GES  |
| 3   | 2 DS<br>2 CS | REMOVED SHOWER VALVE<br>CHANGED SENSING LOCATION | 02/03/16 | PRECD33 | MD   | AEK  |
| 4   | ALL          | CHANGED TO NEW DESIGN                            | 7/14/16  | PRECD32 | AEK  | GES  |
| 5   | ALL          | CHANGED TO TRIPLEX DRIVERS, REFRIGERANT, TANK    | 8/19/15  | PRECD31 | AEK  | GES  |

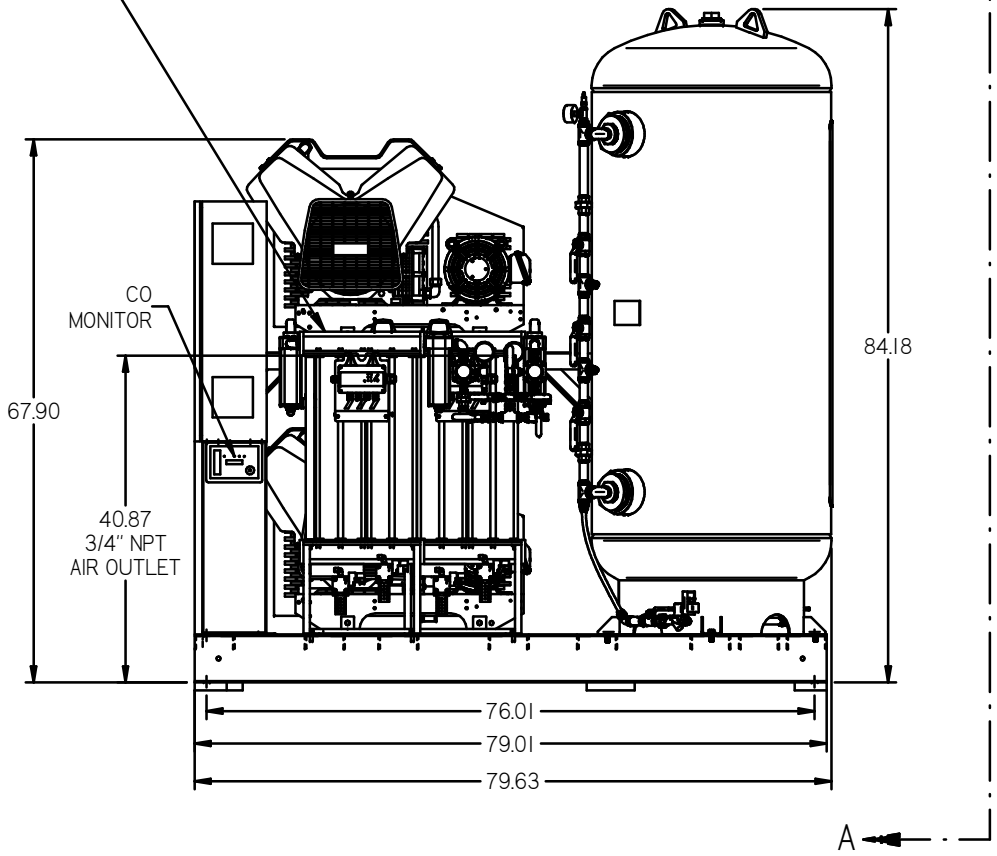
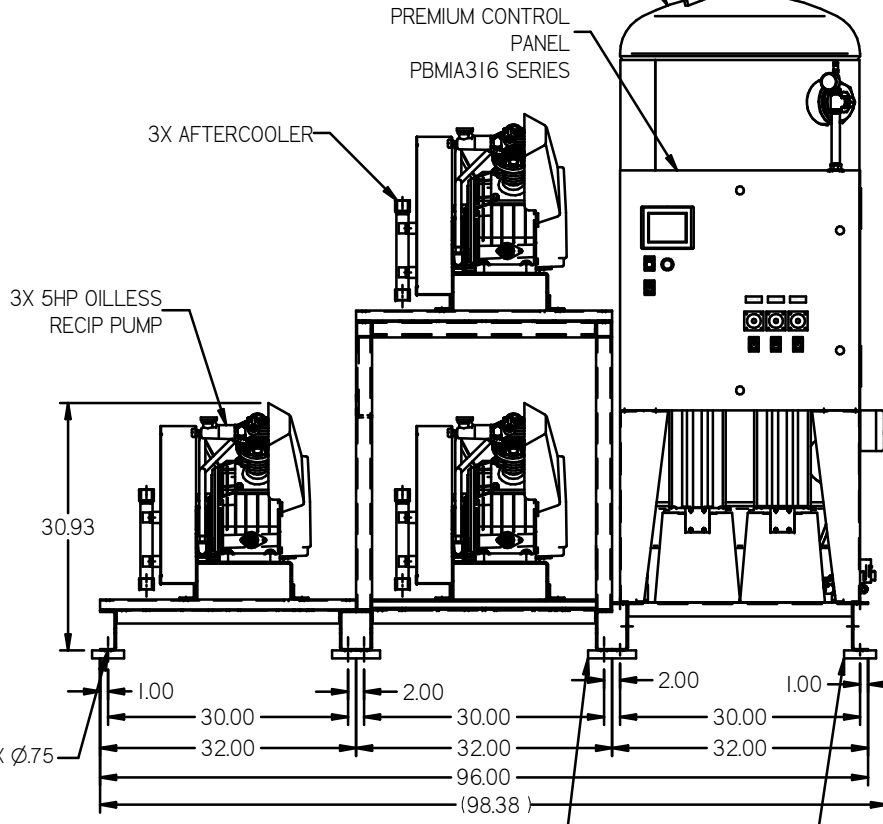


VIEW A-A

NOTE: SYSTEM DESIGNED IN COMPLIANCE WITH U.S. NFPA '99, LATEST EDITION.

200GAL ASME RECEIVER INTERNALLY LINED  
SEE 3D MODEL ID# 721887 FOR PLUMBING DETAIL

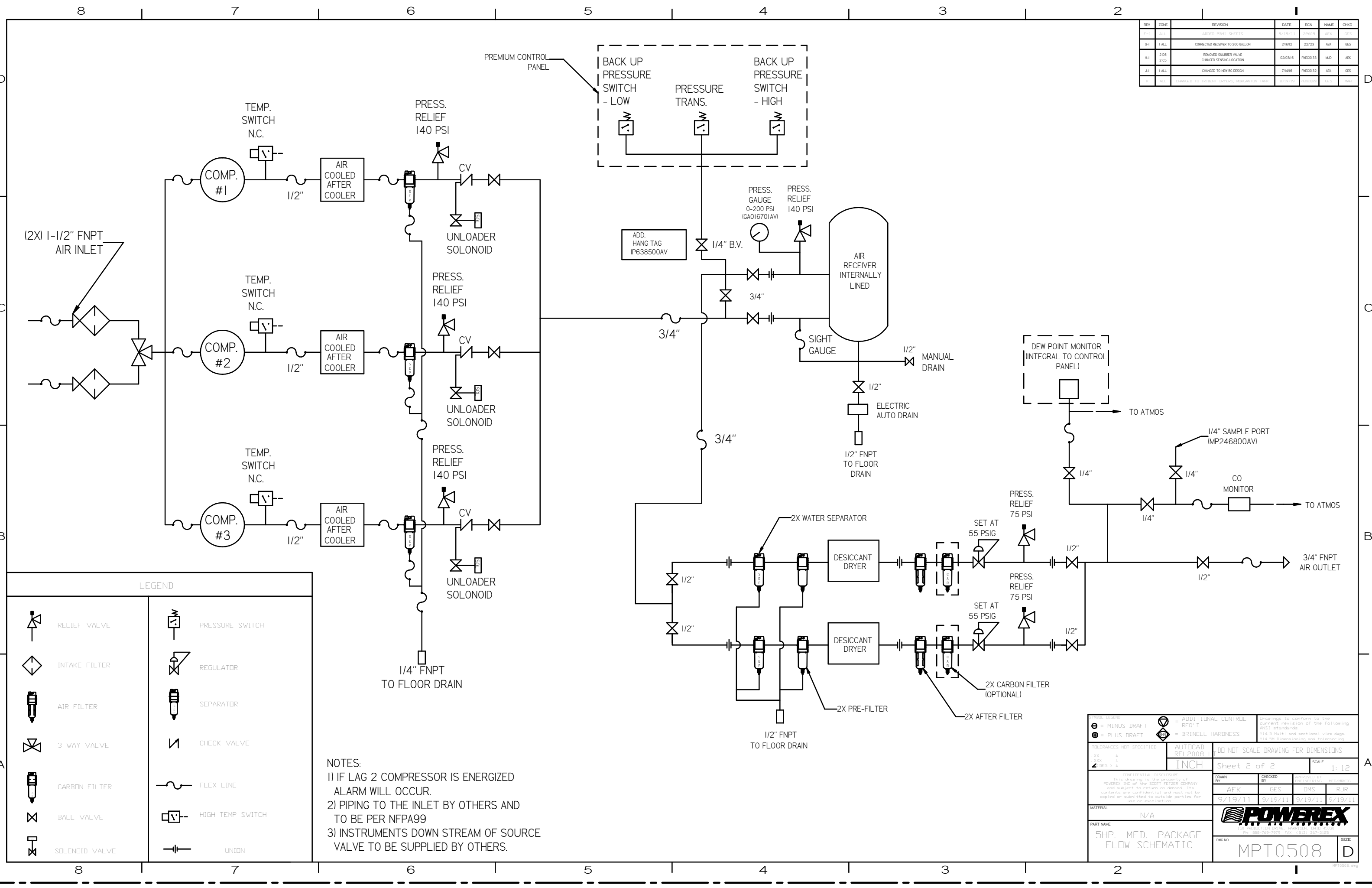
2X DESICCANT DRYERS W/ PRE-FILTERS & AFTER-FILTERS. CARBON FILTERS ARE OPTIONAL.  
SEE 3D MODEL ID# 722271 FOR PLUMBING DETAIL



|   |  |   |
|---|--|---|
| MINUS DRAFT<br>PLUS DRAFT<br>TOLERANCES NOT SPECIFIED<br>XX ±<br>Z (DEC.) ±   | ADDITIONAL CONTROL REG'D<br>BRINELL HARDNESS<br>AUTOCAD REL2008 L<br>INCH<br>DO NOT SCALE DRAWING FOR DIMENSIONS<br>Sheet 1 of 2<br>SCALE 1:12 | Drawings to conform to the current revision of the following ANSI standards:<br>11.3 Multi and sectional view sigs.<br>11.4 3D Dimensioning and tolerancing |
| CONFIDENTIAL DISCLOSURE<br>This drawing is the property of POWEREX INC. of the SCOTT FELTZER COMPANY and subject to return on demand. Its contents are confidential and must not be copied or subjected to public use, part use, for use on drawings. |  | DRAWN BY: AEK<br>CHECKED BY: GES, DHS, RJR<br>9/19/11 9/19/11 9/19/11 9/19/11   |
| MATERIAL:<br>PART NAME:<br>TRIPLEX OILLESS RECIP. 5HP, 200GAL, BASEMOUNT DUPLEX DESICCANT   |  | POWEREX<br>THE PRODUCTION DIVISION<br>17400 S. 100th St., Suite 100<br>Omaha, NE 68147<br>Tel: 402-491-7979 Fax: 402-491-3125                               |
| DIM NO: MPT0508   |  | SIZE: D   |

8 7 6 5 4 3 2 1

| REV | ZONE  | REVISION  | DATE     | EDN      | NAME | CHKD |
|-----|-------|---|----------|----------|------|------|
| 0-1 | ALL   | ADDED P&ID SHEETS                                 | 9/19/11  | 26601    | AEK  | GES  |
| 0-4 | ALL   | CORRECTED RECEIVER TO 200 GALLON                  | 2/6/12   | 22723    | AEK  | GES  |
| 1-4 | 2, 5  | REMOVED SHLEBER VALVE<br>CHANGED SENSING LOCATION | 02/03/16 | PRE00133 | MJD  | AEK  |
| 1-4 | 1 ALL | CHANGED TO NEW BG DESIGN                          | 7/14/16  | PRE00132 | AEK  | GES  |
| 1   | ALL   | CHANGED TO PREVIOUS SHIPPER REGULATED DRAW        | 8/14/12  | 26601    | AEK  | GES  |



**LEGEND**

|  |                |  |                  |
|--|----------------|--|------------------|
|  | RELIEF VALVE   |  | PRESSURE SWITCH  |
|  | INTAKE FILTER  |  | REGULATOR        |
|  | AIR FILTER     |  | SEPARATOR        |
|  | 3 WAY VALVE    |  | CHECK VALVE      |
|  | CARBON FILTER  |  | FLEX LINE        |
|  | BALL VALVE     |  | HIGH TEMP SWITCH |
|  | SOLENOID VALVE |  | UNION            |

**NOTES:**  
 1) IF LAG 2 COMPRESSOR IS ENERGIZED ALARM WILL OCCUR.  
 2) PIPING TO THE INLET BY OTHERS AND TO BE PER NFPA99  
 3) INSTRUMENTS DOWN STREAM OF SOURCE VALVE TO BE SUPPLIED BY OTHERS.

|   |   |  |
|---|---|--|
| MINUS DRAFT<br>PLUS DRAFT   | ADDITIONAL CONTROL<br>RED 'D'<br>BRINELL HARDNESS | Drawing to conform to the current revision of the following ASME standards:<br>Y14.3 (Dims) and sectional view shgs.<br>Y14.5 (Dimensioning and tolerancing) |
| TOLERANCES NOT SPECIFIED:<br>XX ± .005<br>XXX ± .010<br>XXX ± .015  | AUTOCAD<br>REL2008 L <sub>T</sub>                 | DO NOT SCALE DRAWING FOR DIMENSIONS  |
| CONFIDENTIAL DISCLOSURE<br>This drawing is the property of POWERREX, INC. of the SCOTT FETZER COMPANY and subject to return on demand. Its contents are confidential and must not be copied or submitted to outside parties for use or examination. |   | Sheet 2 of 2<br>SCALE 1:12   |
| MATERIAL: N/A   | PART NAME: 5HP, MED. PACKAGE FLOW SCHEMATIC       | DRAWN BY: AEK<br>CHECKED BY: GES<br>APPROVED BY: DMS, RJR<br>DATE: 9/19/11, 9/19/11, 9/19/11, 9/19/11  |
| DWG NO: MPT0508   |   | SIZE: D  |