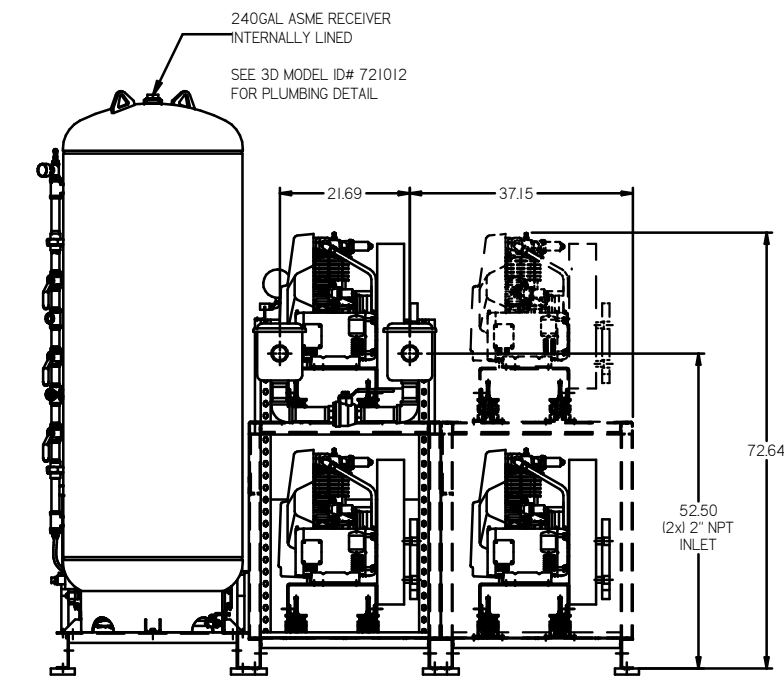
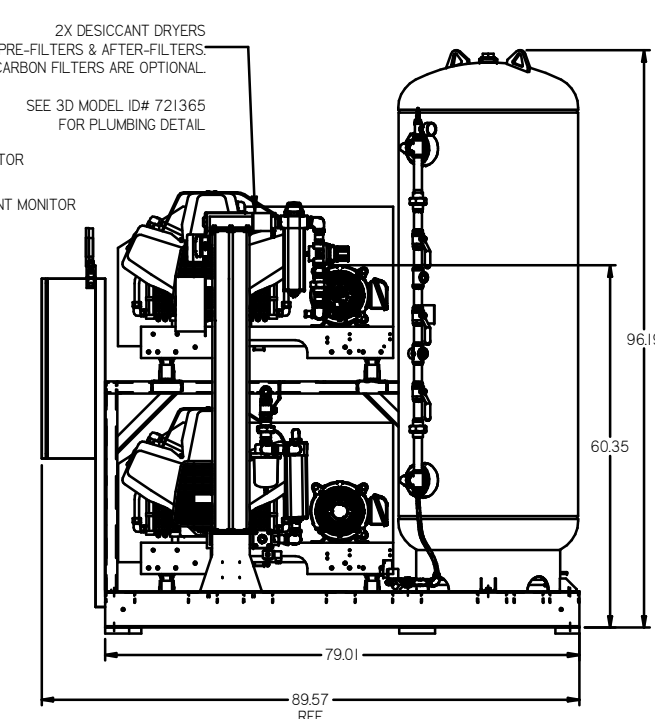
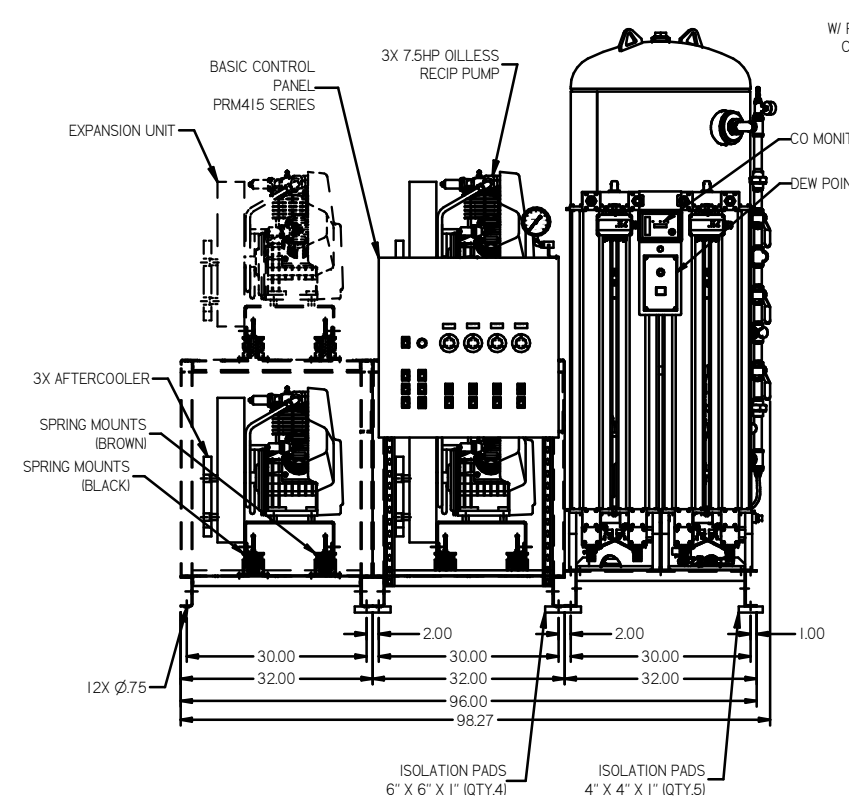
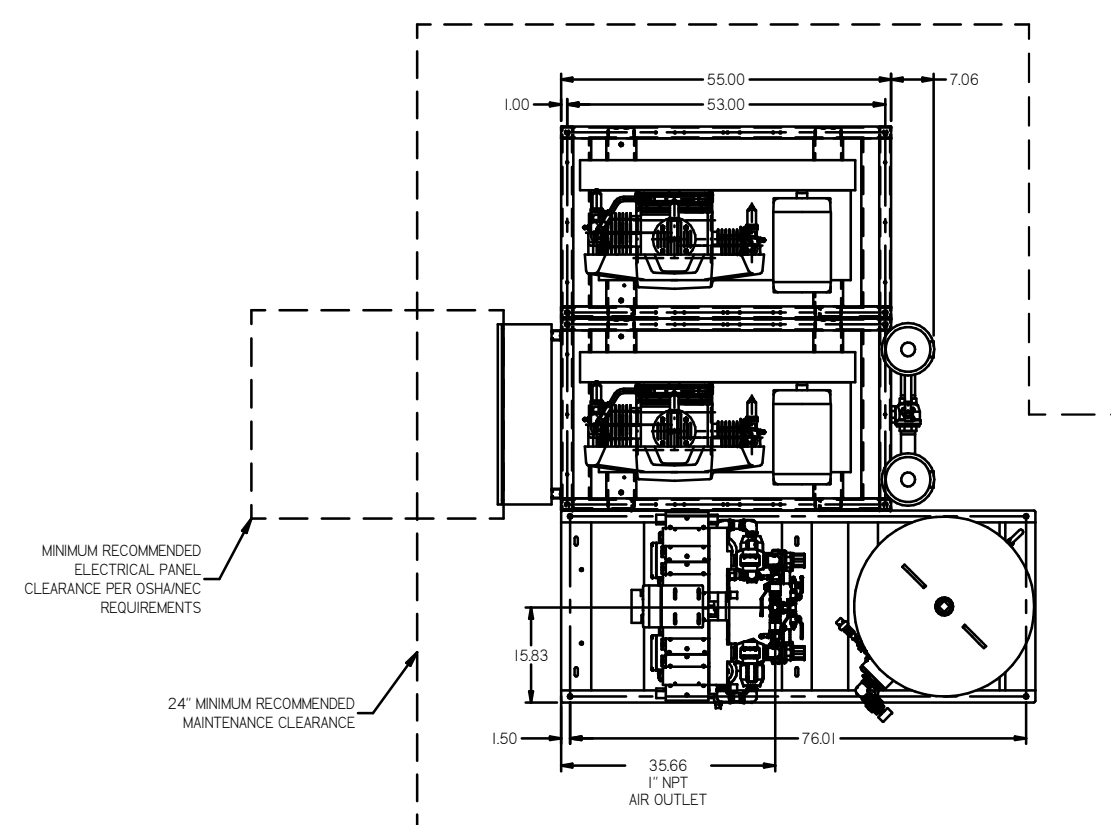


8 7 6 5 4 3 2

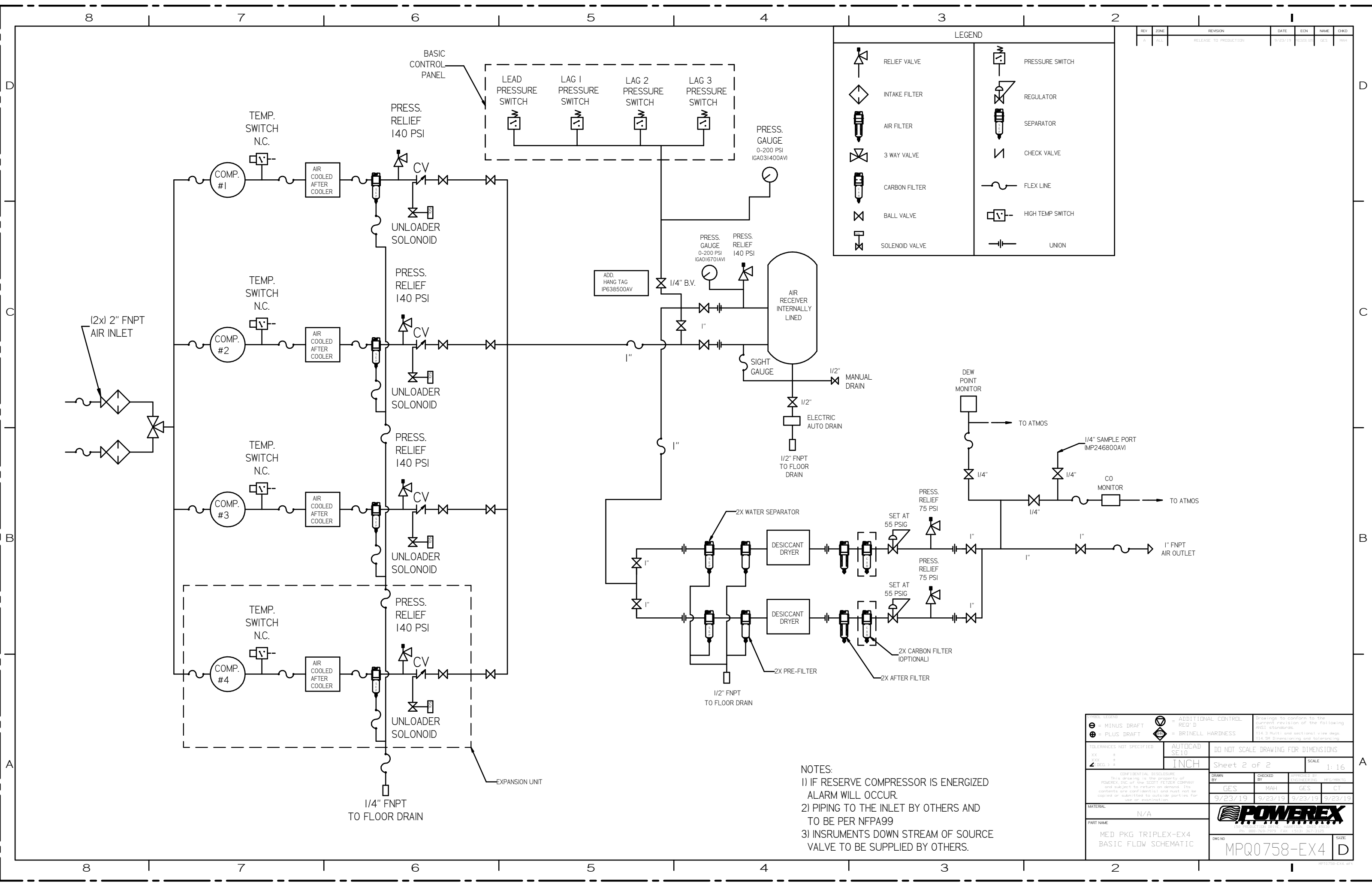
REV	ZONE	REVISION	DATE	ECN	NAME	CHKD
A	ALL	RELEASE TO PRODUCTION	9/23/19		MAH	



NOTE: SYSTEM DESIGNED IN COMPLIANCE WITH U.S. NFPA '99, LATEST EDITION.

<p>SYMBOL LEGEND</p> <p>⊖ = MINUS DRAFT</p> <p>⊕ = PLUS DRAFT</p> <p>⊗ = ADDITIONAL CONTROL REQ'D</p> <p>⊘ = BRINELL HARDNESS</p>		<p>Drawings to conform to the current revision of the following ANSI standards:</p> <p>Y14.3 Multi and sectional view dsgs</p> <p>Y14.2B Dimensioning and tolerancing</p>	
<p>TOLERANCES NOT SPECIFIED</p> <p>XX ±</p> <p>XXX ±</p> <p>2 DEC. ±</p>		<p>AUTOCAD SE110</p> <p>INCH</p> <p>DO NOT SCALE DRAWING FOR DIMENSIONS</p> <p>Sheet 1 of 2</p> <p>SCALE 1:16</p>	
<p>CONFIDENTIAL DISCLOSURE</p> <p>This drawing is the property of POWEREX, INC. of the SCOTT FETZER COMPANY and subject to return on demand. Its contents are confidential and must not be copied or submitted to outside parties for use or reproduction.</p>		<p>DRWN BY: GES</p> <p>CHECKED BY: MAH</p> <p>APPROVED BY: GES</p> <p>DATE: 9/23/19</p>	
<p>MATERIAL: N/A</p>		<p>POWEREX</p> <p>150 PRODUCTION DRIVE, HARRISBURG, PA 17109</p> <p>TEL: 717-538-7875 FAX: 717-538-7876</p>	
<p>PART NAME: MED PKG TRIPLEX-EX4 7.5HP 240GAL BASEMOUNT DUPLEX DESICCANT</p>		<p>DWG NO: MPT0758-EX3</p> <p>SIZE: D</p>	

8 7 6 5 4 3 2



LEGEND

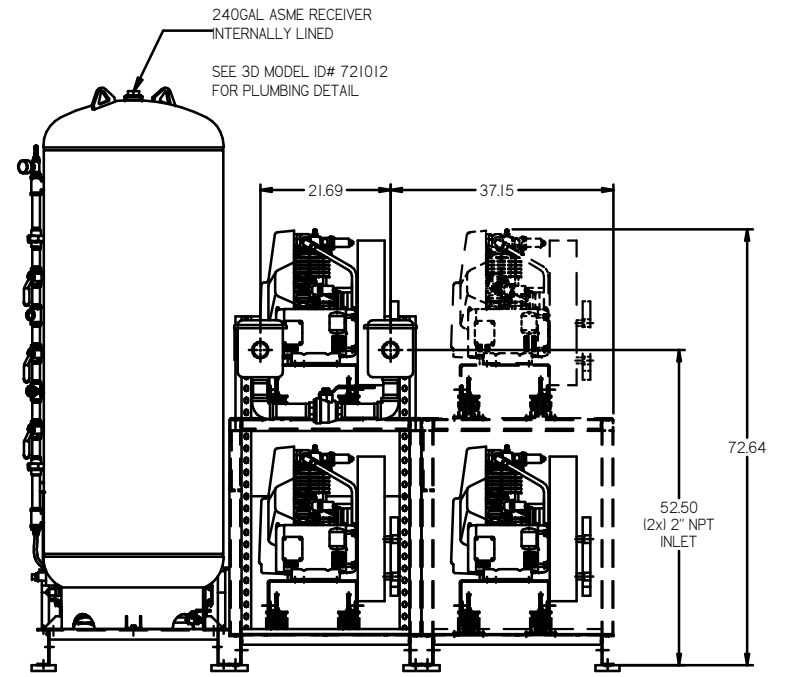
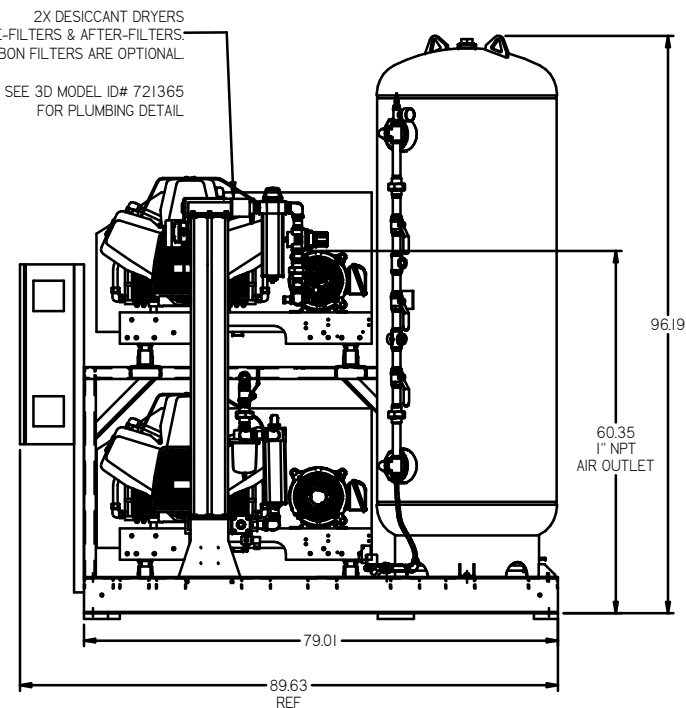
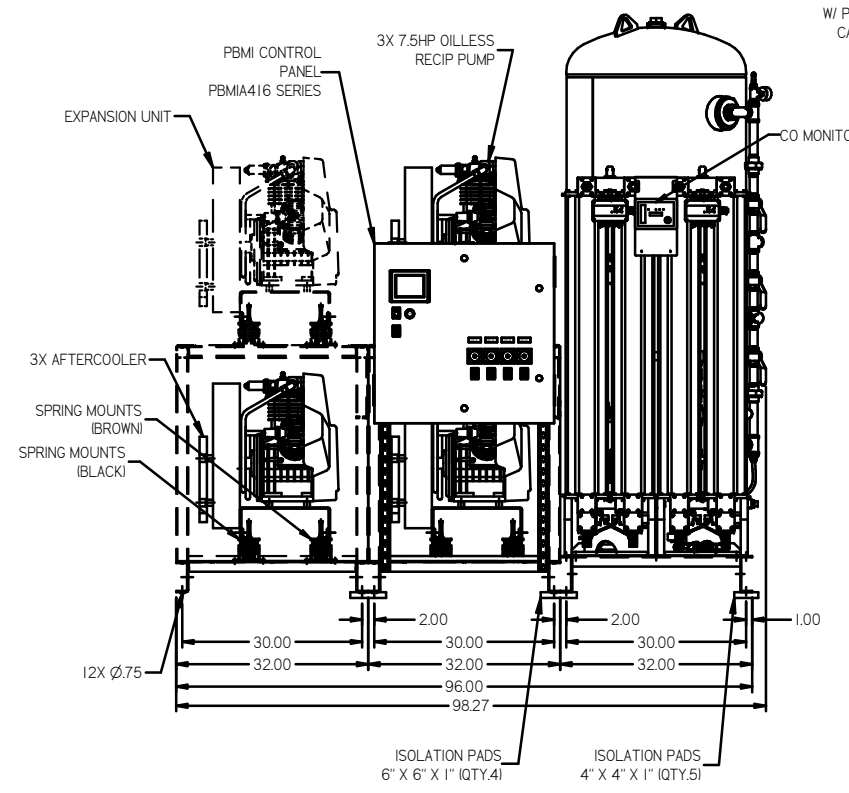
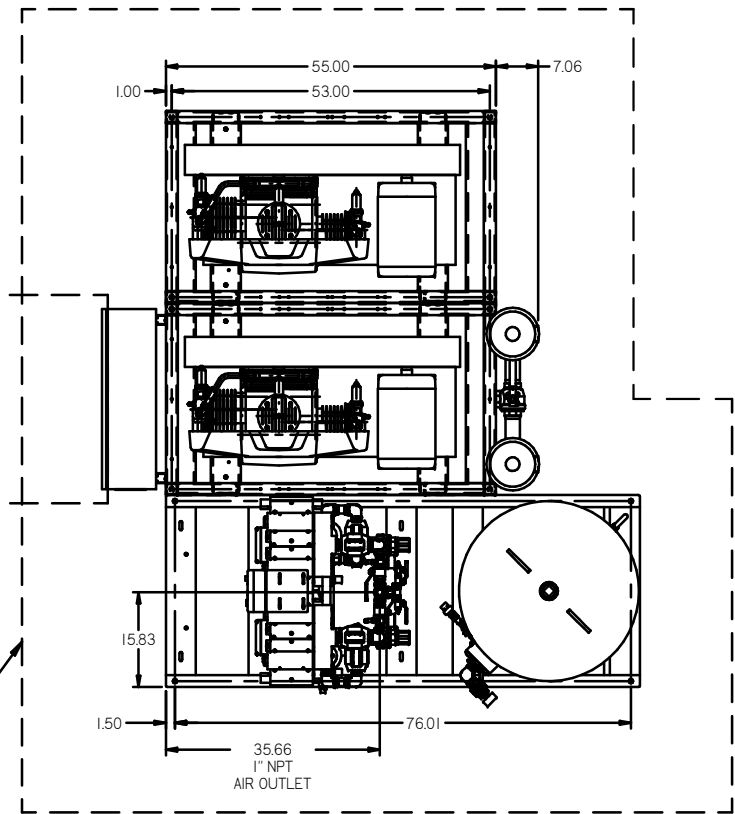
	RELIEF VALVE		PRESSURE SWITCH
	INTAKE FILTER		REGULATOR
	AIR FILTER		SEPARATOR
	3 WAY VALVE		CHECK VALVE
	CARBON FILTER		FLEX LINE
	BALL VALVE		HIGH TEMP SWITCH
	SOLENOID VALVE		UNION

REV	ZONE	REVISION	DATE	EN	NAME	CHKD
1	ALL	RELEASE TO PRODUCTION	9/23/19	RES	GES	MAH

- NOTES:
- 1) IF RESERVE COMPRESSOR IS ENERGIZED ALARM WILL OCCUR.
 - 2) PIPING TO THE INLET BY OTHERS AND TO BE PER NFPA99
 - 3) INSTRUMENTS DOWN STREAM OF SOURCE VALVE TO BE SUPPLIED BY OTHERS.

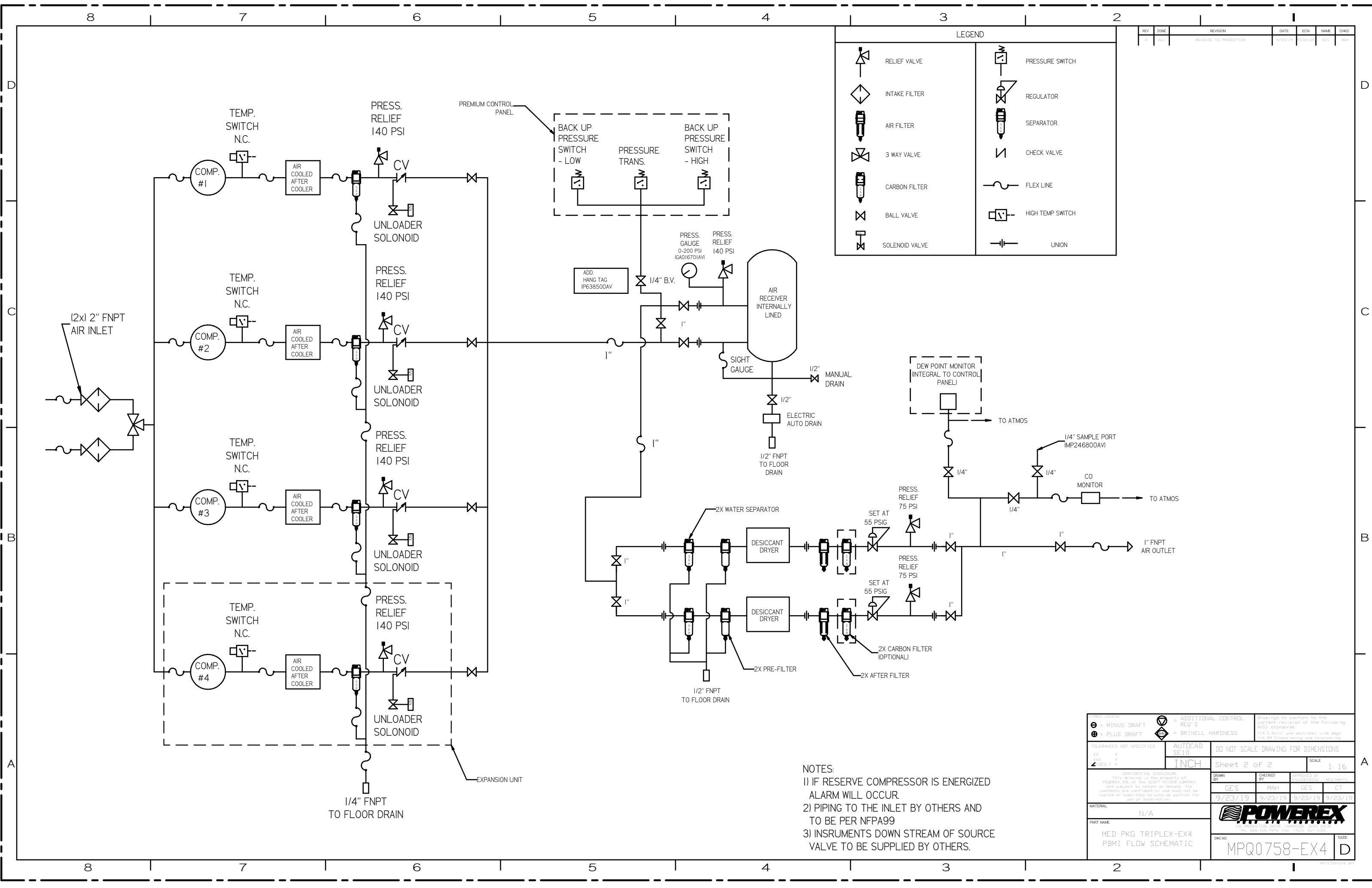
TOLERANCES NOT SPECIFIED XX ± .XX (DEC) ±	AUTOCAD SE10 INCH	DO NOT SCALE DRAWING FOR DIMENSIONS Sheet 2 of 2 SCALE 1:16
CONFIDENTIAL PROPRIETARY This drawing is the property of POWEREX INC. or the SCOTT FETZER COMPANY and subject to return on demand. Its contents are confidential and must not be copied or submitted to outside parties for use or reproduction.	DRAWN BY: GES CHECKED BY: MAH APPROVED BY: ENGINEERING: MFG/MPKTS	DATES: 9/23/19, 9/23/19, 9/23/19, 9/23/19
MATERIAL: N/A PART NAME: MED PKG TRIPLEX-EX4 BASIC FLOW SCHEMATIC		Dwg No: MPQ0758-EX4 SIZE: D

REV	ZONE	REVISION	DATE	ECN	NAME	CHKD
A	ALL	RELEASE TO PRODUCTION	9/23/19		GES	MAH



NOTE: SYSTEM DESIGNED IN COMPLIANCE WITH U.S. NFPA '99, LATEST EDITION.

TOLERANCES NOT SPECIFIED XX ± .005 XXX ± .010 DEC 1/2	AUTOCAD SE110 INCH	DO NOT SCALE DRAWING FOR DIMENSIONS Sheet 1 of 2 SCALE 1:16
CONFIDENTIAL DISCLOSURE This drawing is the property of POWEREX, INC. or NEW SCOTT, FELZER COMPANY and subject to return on demand. Its contents are confidential and must not be copied or submitted to outside parties for use or reproduction.		
MATERIAL: N/A PART NAME: MED PKG TRIPLEX-EX4 7.5HP 240GAL BASEMOUNT DUPLEX DESICCANT		
DRAWN BY: GES CHECKED BY: MAH 9/23/19		APPROVED BY: MAH 9/23/19 POWEREX 2000 W. 110th Street, P.O. Box 25000 Overland Park, KS 66205-0000 913.666.7000 FAX 913.666.7001 WWW.POWEREX.COM
DWG NO: MPT0758-EX3		SIZE: D



LEGEND

	RELIEF VALVE		PRESSURE SWITCH
	INTAKE FILTER		REGULATOR
	AIR FILTER		SEPARATOR
	3 WAY VALVE		CHECK VALVE
	CARBON FILTER		FLEX LINE
	BALL VALVE		HIGH TEMP SWITCH
	SOLENOID VALVE		UNION

REV	ZONE	REVISION	DATE	ECN	NAME	CHKD
1	ALL	RELEASE TO PRODUCTION	9/23/19		GES	MAH

D
C
B
A

D
C
B
A

- NOTES:
- IF RESERVE COMPRESSOR IS ENERGIZED ALARM WILL OCCUR.
 - PIPING TO THE INLET BY OTHERS AND TO BE PER NFPA99
 - INSRUMENTS DOWN STREAM OF SOURCE VALVE TO BE SUPPLIED BY OTHERS.

TOLERANCES NOT SPECIFIED XX ± XXX ± .XX (DEG.) ±	AUTOCAD SE10 INCH	DO NOT SCALE DRAWING FOR DIMENSIONS Sheet 2 of 2 SCALE 1:16
CONFIDENTIAL - STRUCTURE This drawing is the property of POWEREX, INC. of the SCOTT FETZER COMPANY and subject to return on demand. Its contents are confidential and must not be copied or submitted to outside parties for use or reproduction.	DRAWN BY GES	CHECKED BY MAH
MATERIAL N/A	DATE 9/23/19	APPROVED BY GES
PART NAME MED PKG TRIPLEX-EX4 PBMI FLOW SCHEMATIC		
DWG NO MPQ0758-EX4	SIZE D	Dwg to conform to the following ANSI standards: 1:4.3 Multi and sectional view dgs. 1:4.3B Dimensions and tolerances.