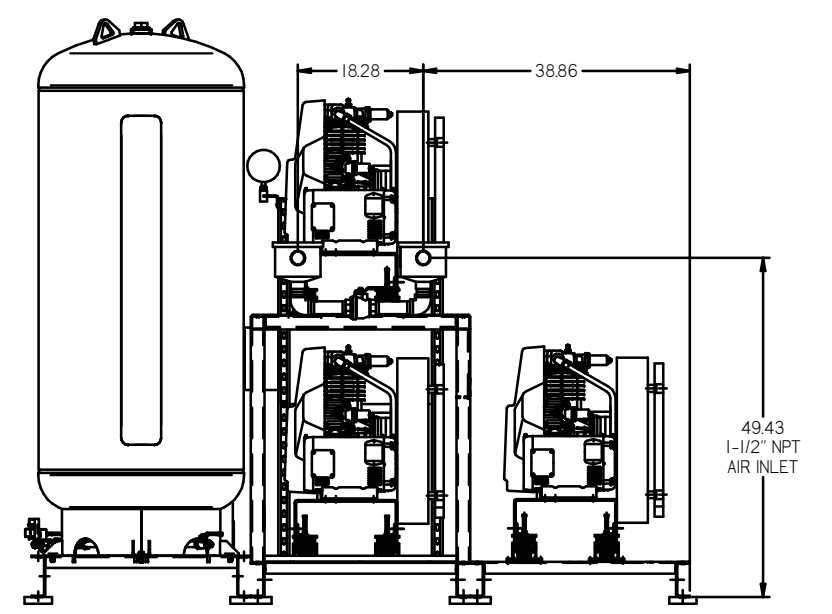
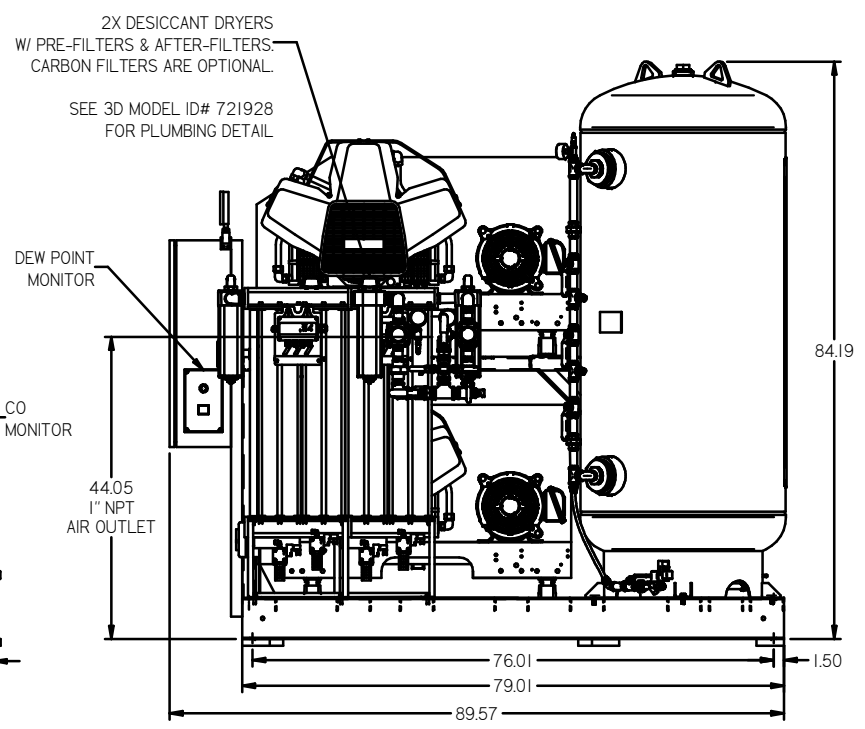
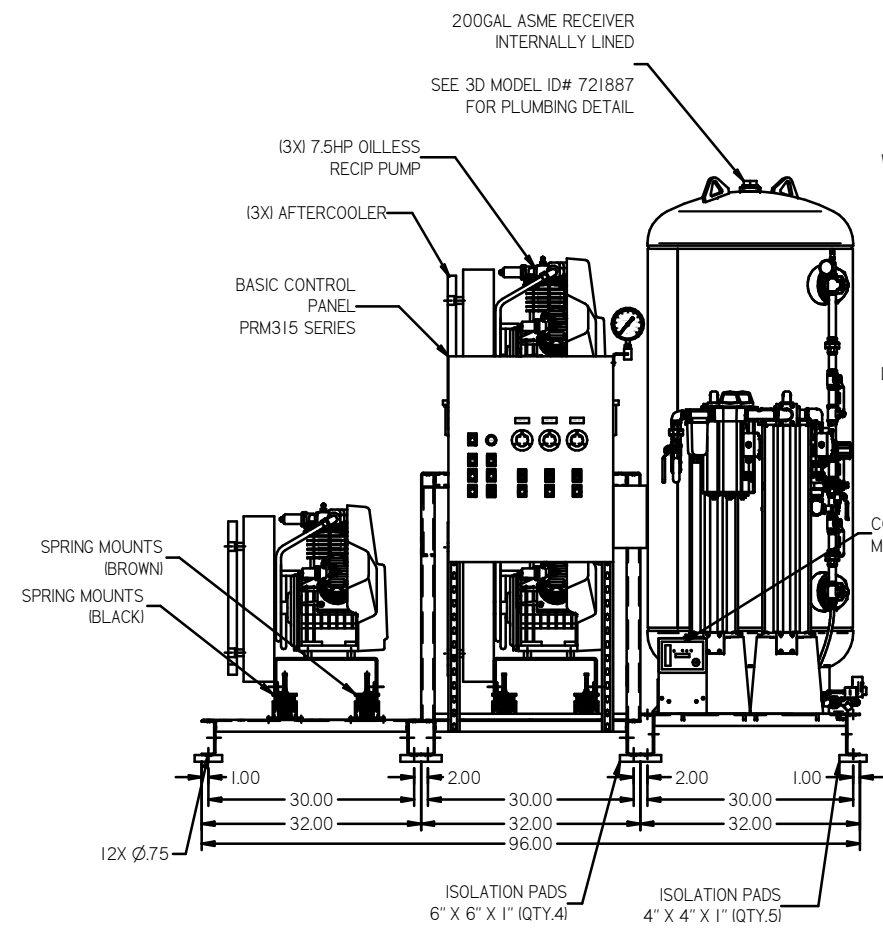
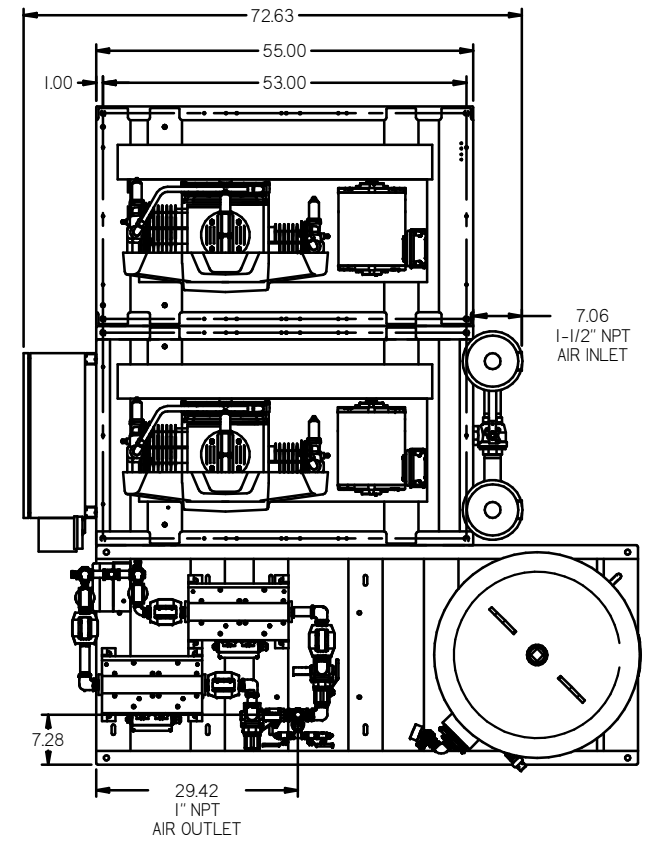


REV	ZONE	REVISION	DATE	ECN	NAME	CHKD
B-1	ALL	RELEASE TO PRODUCTION	08/04/08	21906	DMS	GES
C-1	IS-7	ADDED SPRING COLOR LOCATIONS	08/08	22039	GES	DMS
D-1	ALL	UPDATED TO POWEREX DRYER	08/09	22120	AEK	GES
E-1	1 ALL	REMOVED 11 BASE AND 4 RELOCATED PANEL AND DRYERS	02/09	22286	AEK	GES
F-1	1 ALL	UPDATED PUMP FRAMES	08/10	22407	AEK	GES
G-1	1 BB	UPDATED SPRING ISOLATOR CALLOUT	11/20/10	22348	AEK	GES
H-1	1 BB	UPDATED SPRING ISOLATOR CALLOUT	5/20/11	22546	GES	DMS
J-1	ALL	ADDED PEM SHEETS	02/3/11	22609	AEK	GES
K-1	204	ADDED SHAMBER VALVE TO STANDARD FLOW	03/31/12	22734	AEK	GES
L-1	2 ALL	UPDATED/ADDED FLEX LINES	12/7/12	PRECO003	AEK	DMS
M-1	2 ALL	REMOVED SHAMBER VALVE	02/05/14	PRECO033	MAD	AEK
N-1	2 87-07	CHANGED 3/4" TO 1/2"	02/07	PRECO087	AEK	MAD
P-1	1 BB	CHANGED REAR SPRING MOUNTS TO BLACK	5/4/18	PRECO292	MWH	GES
C	ALL	CHANGED TO TRENK DRIVES, MORGAN TANK, UPDATED TO TANK CENTER	05/09	PRECO235	GES	MWH

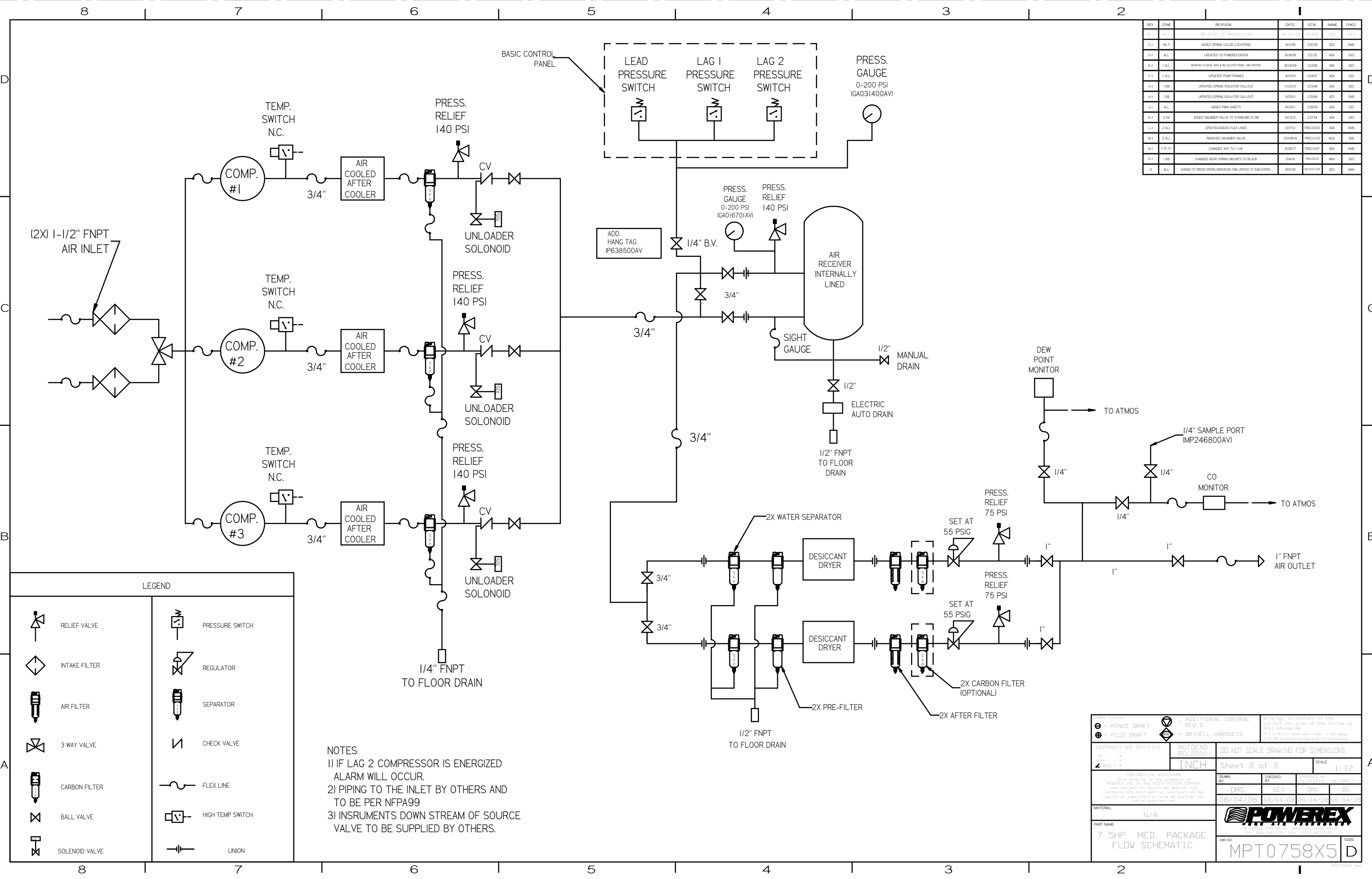


NOTE: A MINIMUM OF 24" CLEARANCE IS RECOMMENDED AROUND THE ENTIRE UNIT.

NOTE: SYSTEM DESIGNED IN COMPLIANCE WITH U.S. NFPA '99, LATEST EDITION.

MINUS DRAFT PLUS DRAFT	ADDITIONAL CONTROL REQ'D BRINELL HARDNESS	Drawings to conform to the current revision of the following ANSI standards: Y14.3 Multi-view and section view Y14.5M Dimensioning and tolerancing
TOLERANCES NOT SPECIFIED XX ± XXX ± Z .001 ±	AUTOCAD REL2000 INCH	DO NOT SCALE DRAWING FOR DIMENSIONS Sheet 1 of 2 SCALE 1:14
CONFIDENTIAL DISCLOSURE This drawing is the property of POWEREX, INC. or the SCOTT FEZLER COMPANY and subject to return on demand. Its contents are confidential and must not be copied or submitted to outside parties for use or reproduction.		DRAWN BY: DMS CHECKED BY: GES APPROVED BY: DMS, DG 08/04/08 08/04/08 08/04/08 08/04/08
MATERIAL: N/A		
PART NAME: TRIPLEX OILLESS RECIP. 7.5HP. 200GAL. BASEMOUNT DUPLEX DESICCANT		DWG NO: MPT0758X5 SIZE: D

REV	ZONE	REVISION	DATE	ECN	NAME	CHKD
0	ALL	RELEASE FOR PRODUCTION	07/20/08		DMS	GES
C-4	IB-7	ADDED SPRING COLOR LOCATIONS	8/11/08	22039	GES	DMS
D-1	ALL	UPDATED TO POWEREX DRIVER	9/18/09	22120	AEK	GES
E-1	1 ALL	REMOVED IN BASE SAE & RELOCATED PANEL AND DRIVERS	9/24/09	22286	AEK	GES
F-1	1 ALL	UPDATED PUMP FRAMES	10/29/10	22407	AEK	GES
G-1	1 88	UPDATED SPRING ISOLATOR CALLOUT	11/22/10	22348	AEK	GES
H-1	1 88	UPDATED SPRING ISOLATOR CALLOUT	5/20/11	22546	GES	DMS
J-1	ALL	ADDED PBM SHEETS	9/29/11	22609	AEK	GES
K-1	2 04	ADDED SHUBBER VALVE TO STANDARD FLOW	6/13/12	22734	AEK	GES
L-1	2 ALL	UPGRADED FLEX LINES	12/17/12	PXC0003	AEK	DMS
M-1	2 ALL	REMOVED SHUBBER VALVE	02/09/16	PXC0133	MJD	AEK
N-1	2 87 07	CHANGED 3/4" TO 1/4"	9/28/17	PXC0187	AEK	KAD
P-1	1 88	CHANGED REAR SPRING MOUNTS TO BLACK	5/4/18	PXC0232	MH	GES
Q	ALL	CHANGED TO FRONT SPRING MOUNTING TANK UPDATED TO TEAM CENTER	8/01/19	PXC03109	GES	MH



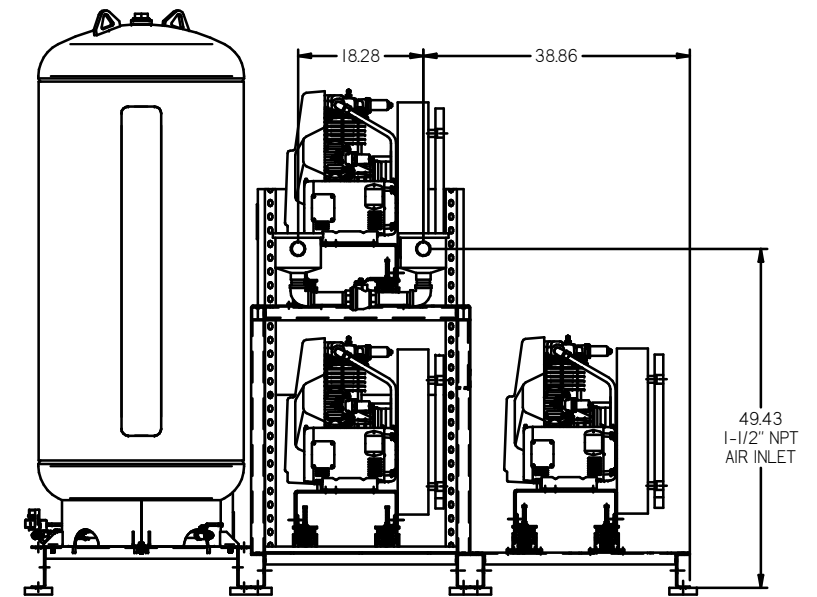
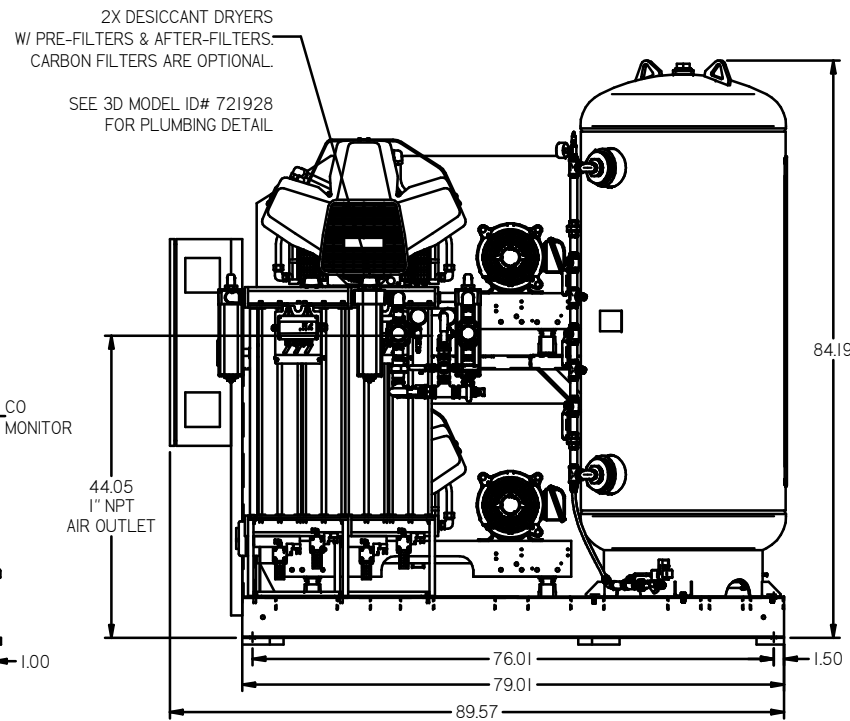
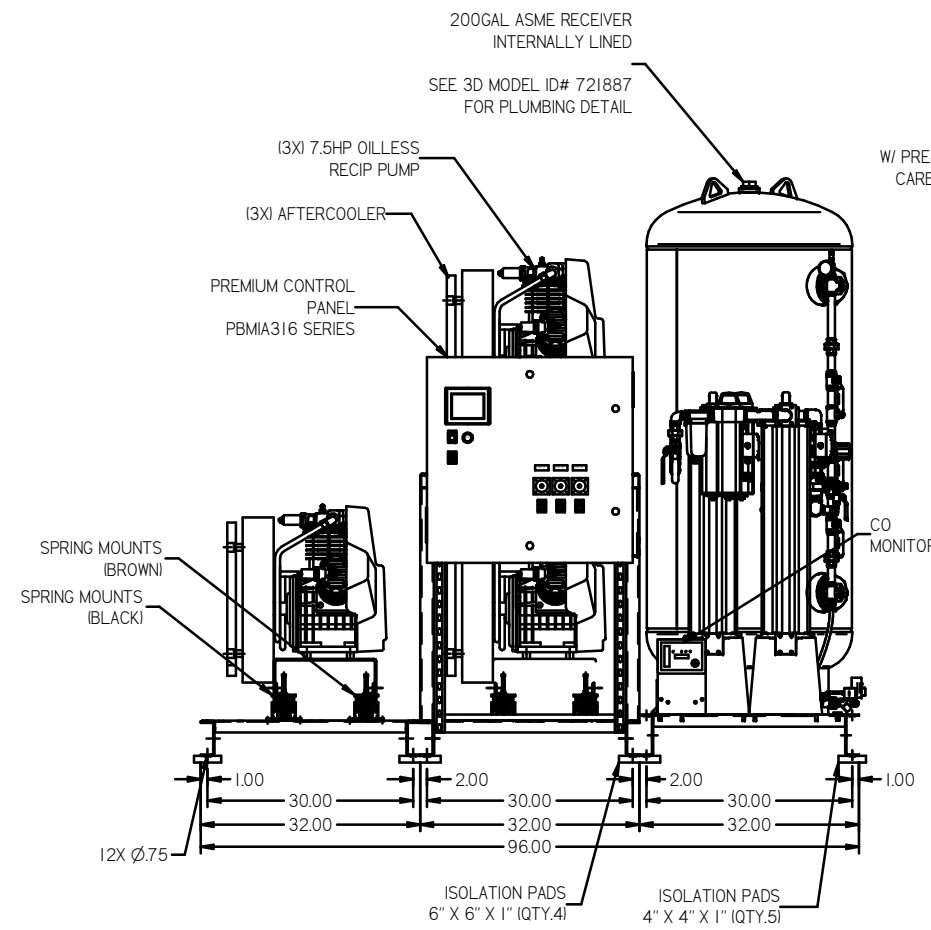
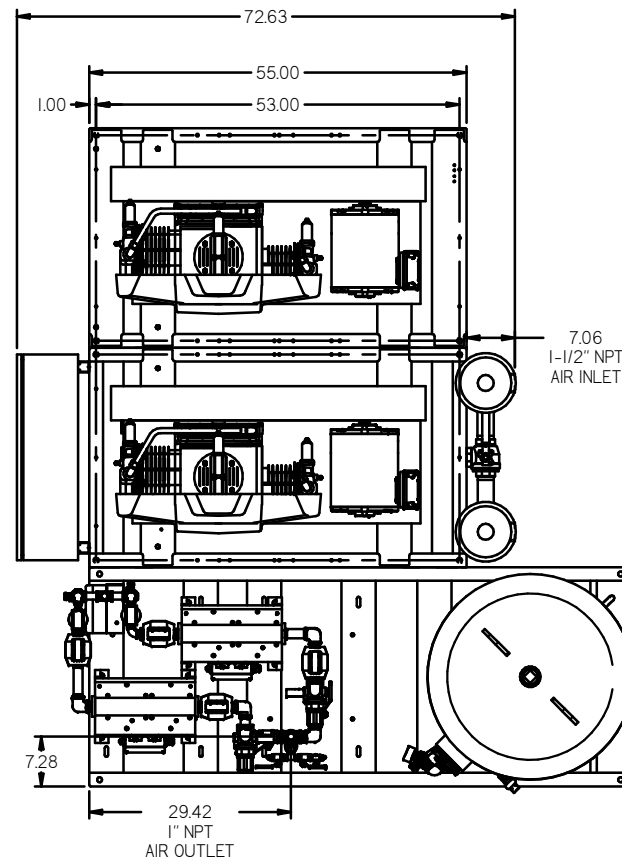
LEGEND

	RELIEF VALVE		PRESSURE SWITCH
	INTAKE FILTER		REGULATOR
	AIR FILTER		SEPARATOR
	3 WAY VALVE		CHECK VALVE
	CARBON FILTER		FLEX LINE
	BALL VALVE		HIGH TEMP SWITCH
	SOLENOID VALVE		UNION

NOTES:
 1) IF LAG 2 COMPRESSOR IS ENERGIZED ALARM WILL OCCUR.
 2) PIPING TO THE INLET BY OTHERS AND TO BE PER NFPA99
 3) INSTRUMENTS DOWN STREAM OF SOURCE VALVE TO BE SUPPLIED BY OTHERS.

SYMBOL LEGEND ⊖ = MINUS DRAFT ⊕ = PLUS DRAFT ⊗ = ADDITIONAL CONTROL REQ'D ⊘ = BRINELL HARDNESS		Drawings to conform to the current revision of the following ANSI standards: Y14.3 Multi and sectional view dgs. Y14.9 Dimensioning and tolerancing	
TOLERANCES NOT SPECIFIED XX ± .001 Z REG. 1 ± .005		AUTOCAD REL2000 INCH DO NOT SCALE DRAWING FOR DIMENSIONS Sheet 2 of 2 SCALE 1:12	
CONFIDENTIAL DISCLOSURE This drawing is the property of POWEREX INC. or THE SCOTT FETZER COMPANY and subject to return on demand. Its contents are confidential and must not be copied or submitted to outside parties for use or examination.		DRAWN BY DMS	CHECKED BY GES
MATERIAL N/A		APPROVED BY DMS	DATE 08/04/08
PART NAME 7.5HP. MED. PACKAGE FLOW SCHEMATIC		 150 PRODUCTION DRIVE, HARRISBURG, PA 17106 TEL: 717-530-2000 FAX: 717-530-2001	
DWG NO MPT0758X5		SIZE D	

REV	ZONE	REVISION	DATE	ECN	NAME	CHKD
J-1	ALL	ADDED PBM SHEETS	09/23/11	22609	AEK	GES
K-1	3, 4	ADDED SAUBER VALVE TO STANDARD FLOW	01/31/12	22734	AEK	GES
L-1	2 ALL	UPDATED/ADDED FLEX LINES	12/7/12	PREC0003	AEK	DMS
M-1	2 ALL	REMOVED SAUBER VALVE	02/09/16	PREC0133	MJD	AEK
N-1	2, 3, 4	CHANGED 3/4" TO 1/2"	9/28/17	PREC0187	AEK	KMD
P-1	1, 8, 9	CHANGED REAR SPRING MOUNTS TO BLACK	5/4/18	PREC0232	MAH	GES
Q	ALL	CHANGED TO TIGHTER SPRING MOUNTS AND UPDATED TO TIGHT CENTER	8/20/19	PREC0232	AEK	MAH

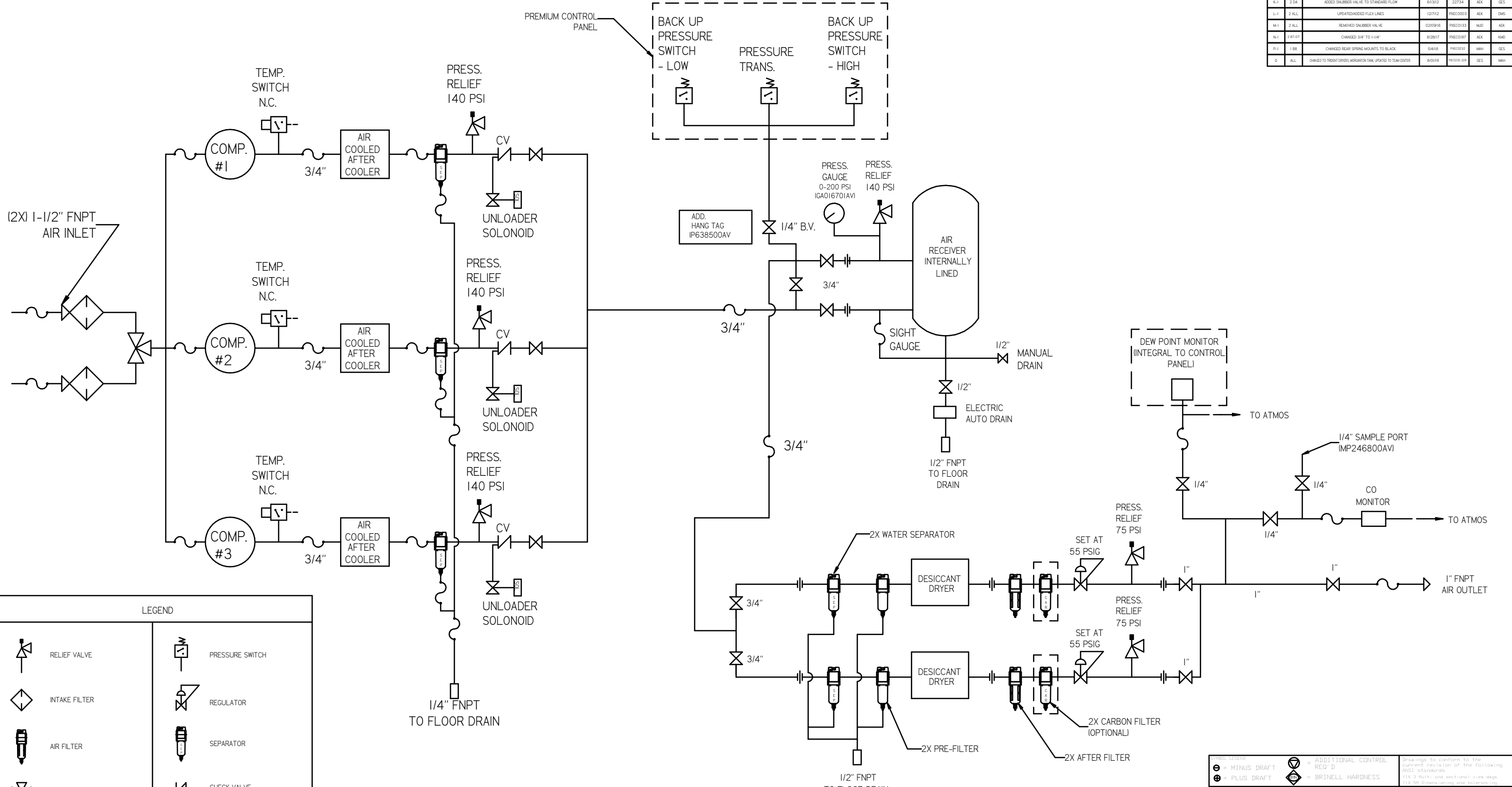


NOTE: A MINIMUM OF 24" CLEARANCE IS RECOMMENDED AROUND THE ENTIRE UNIT.

NOTE: SYSTEM DESIGNED IN COMPLIANCE WITH U.S. NFPA '99, LATEST EDITION.

SYMBOL LEGEND: ⊖ = MINUS DRAFT ⊕ = PLUS DRAFT ⊕ = ADDITIONAL CONTROL REQ'D ⊕ = BRINELL HARDNESS	TOLERANCES NOT SPECIFIED .XX ± .XXX ± .4 DEC ±	AUTOCAD REL2008 LT INCH	DO NOT SCALE DRAWING FOR DIMENSIONS Sheet 1 of 2 SCALE 1:14
CONFIDENTIAL DISCLOSURE This drawing is the property of POWEREX INC. or the SCOTT FETZER COMPANY and subject to return on demand. Its contents are confidential and must not be copied or submitted to outside parties for use on any project.		DRAWN BY: AEK CHECKED BY: GES APPROVED BY: DMS, RJR	DATE: 9/23/11, 3/23/11, 9/23/11, 9/23/11
MATERIAL: N/A		POWEREX THE QUALITY CONNECTION	
PART NAME: TRIPLEX OILLESS RECIP. 7.5HP, 200GAL. BASEMOUNT DUPLEX DESICCANT		DWG NO: MPT0758X5 SIZE: D	

REV	ZONE	REVISION	DATE	ECN	NAME	CHKD
0	ALL	ISSUE FROM SHEETS	12/23/11	0000	AEK	GES
K-1	2 DA	ADDED SHUBBER VALVE TO STANDARD FLOW	6/13/12	22734	AEK	GES
L-1	2 ALL	UPDATED/ADDED FLEX LINES	12/7/12	PREC0003	AEK	DMS
M-1	2 ALL	REMOVED SHUBBER VALVE	02/09/16	PREC0133	MMH	AEK
N-1	2 8T 07	CHANGED 3/4" TO 1/4"	8/28/17	PREC0187	AEK	KMD
P-1	1 88	CHANGED REAR SPRING MOUNTS TO BLACK	5/8/18	PREC0210	MMH	GES
Q	ALL	CHANGED TO TREAT DRIPPS MORGAN/TAN. UPDATED TO TEAM CENTER	8/01/19	PREC0219	GES	MMH



LEGEND

	RELIEF VALVE		PRESSURE SWITCH
	INTAKE FILTER		REGULATOR
	AIR FILTER		SEPARATOR
	3 WAY VALVE		CHECK VALVE
	CARBON FILTER		FLEX LINE
	BALL VALVE		HIGH TEMP SWITCH
	SOLENOID VALVE		UNION

NOTES:
 1) IF LAG 2 COMPRESSOR IS ENERGIZED ALARM WILL OCCUR.
 2) PIPING TO THE INLET BY OTHERS AND TO BE PER NFPA99
 3) INSTRUMENTS DOWN STREAM OF SOURCE VALVE TO BE SUPPLIED BY OTHERS.

<p>SYMBOLS: = MINUS DRAFT = PLUS DRAFT = ADDITIONAL CONTROL REQ'D = BRINELL HARDNESS</p>	<p>Drawings to conform to the current revision of the following ANSI standards: Y14.3 Multi and sectional view dsgs. Y14.9M Surface texture and tolerancing.</p>
<p>TOLERANCES NOT SPECIFIED: XX ± .005 XY ± .010 Z (DEG.) ± .005</p>	<p>AUTOCAD REL2009 LT INCH DO NOT SCALE DRAWING FOR DIMENSIONS Sheet 2 of 2 SCALE 1:12</p>
<p>CONFIDENTIAL INFORMATION This drawing is the property of POWEREX INC. or the SCOTT FETZER COMPANY and subject to return on demand. Its contents are confidential and must not be copied or submitted to outside parties for use or examination.</p>	<p>APPROVED BY: [Signatures] 9/23/11 9/23/11 9/23/11 9/23/11</p>
<p>MATERIAL: N/A</p>	<p>POWEREX 155 PRODUCTION DRIVE, HARRISBURG, OHIO 45030 TEL: 766-762-7076 FAX: 741-5131 242-3325</p>
<p>PART NAME: 7.5HP. MED. PACKAGE FLOW SCHEMATIC</p>	<p>SIZE: MPT0758X5 D</p>