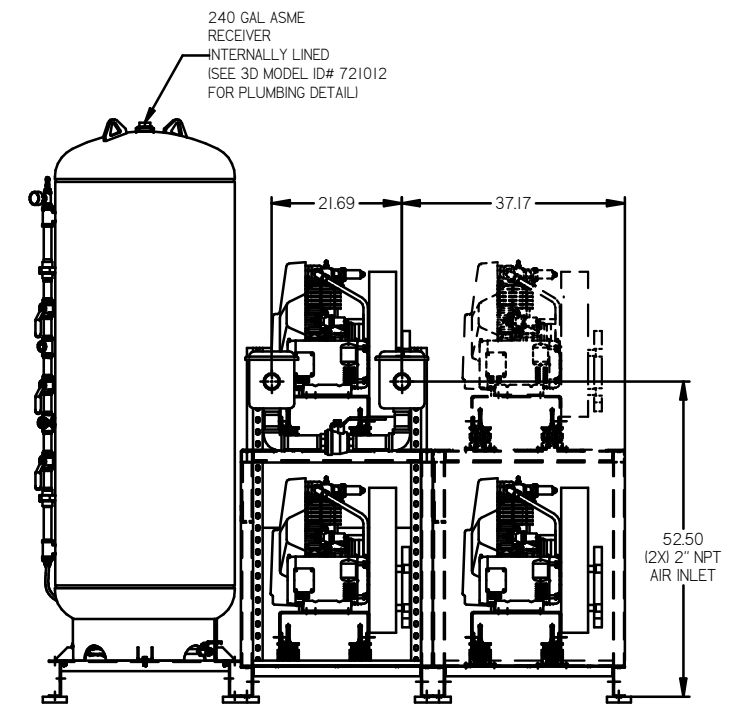
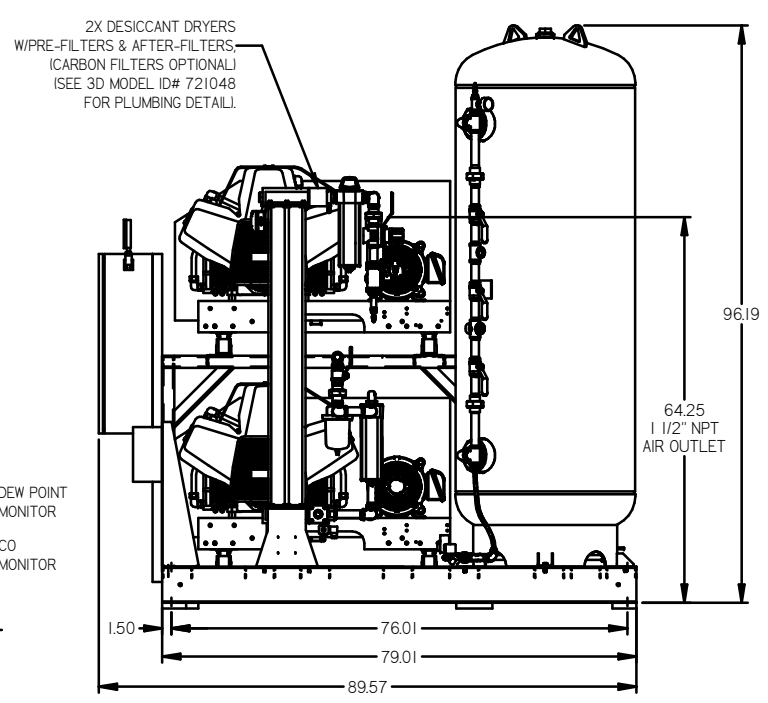
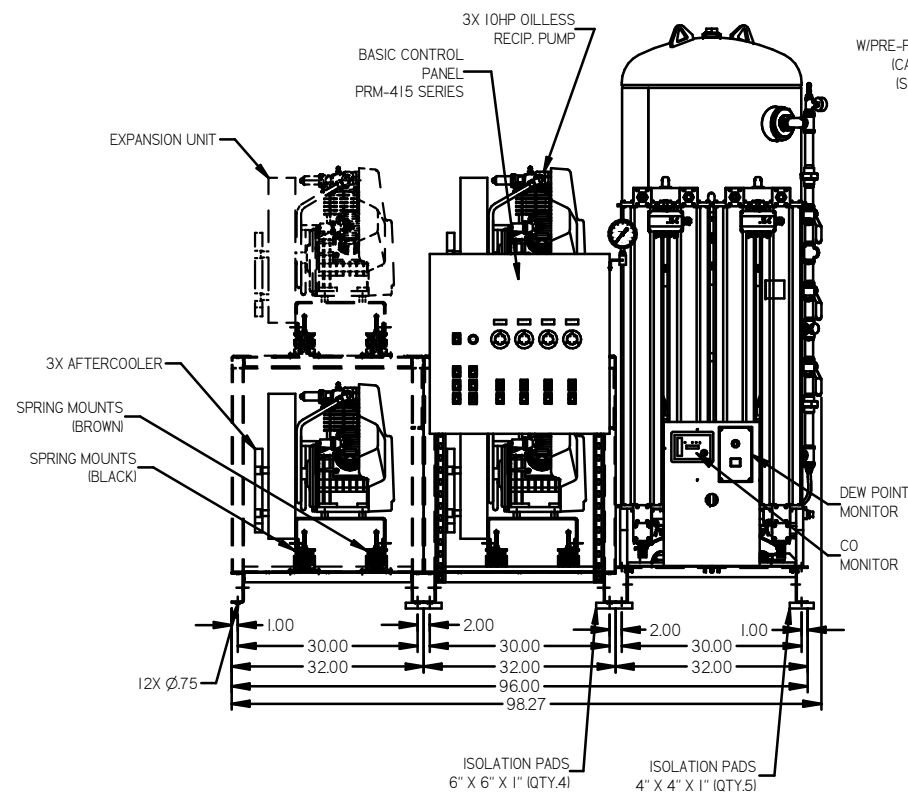
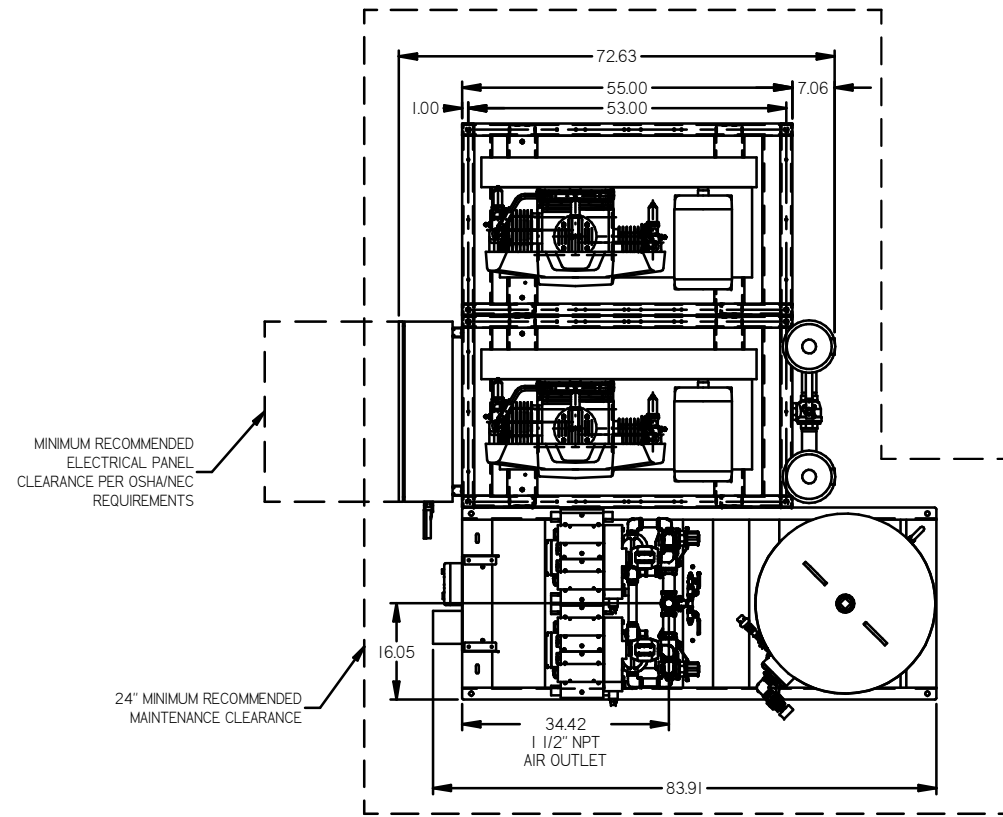
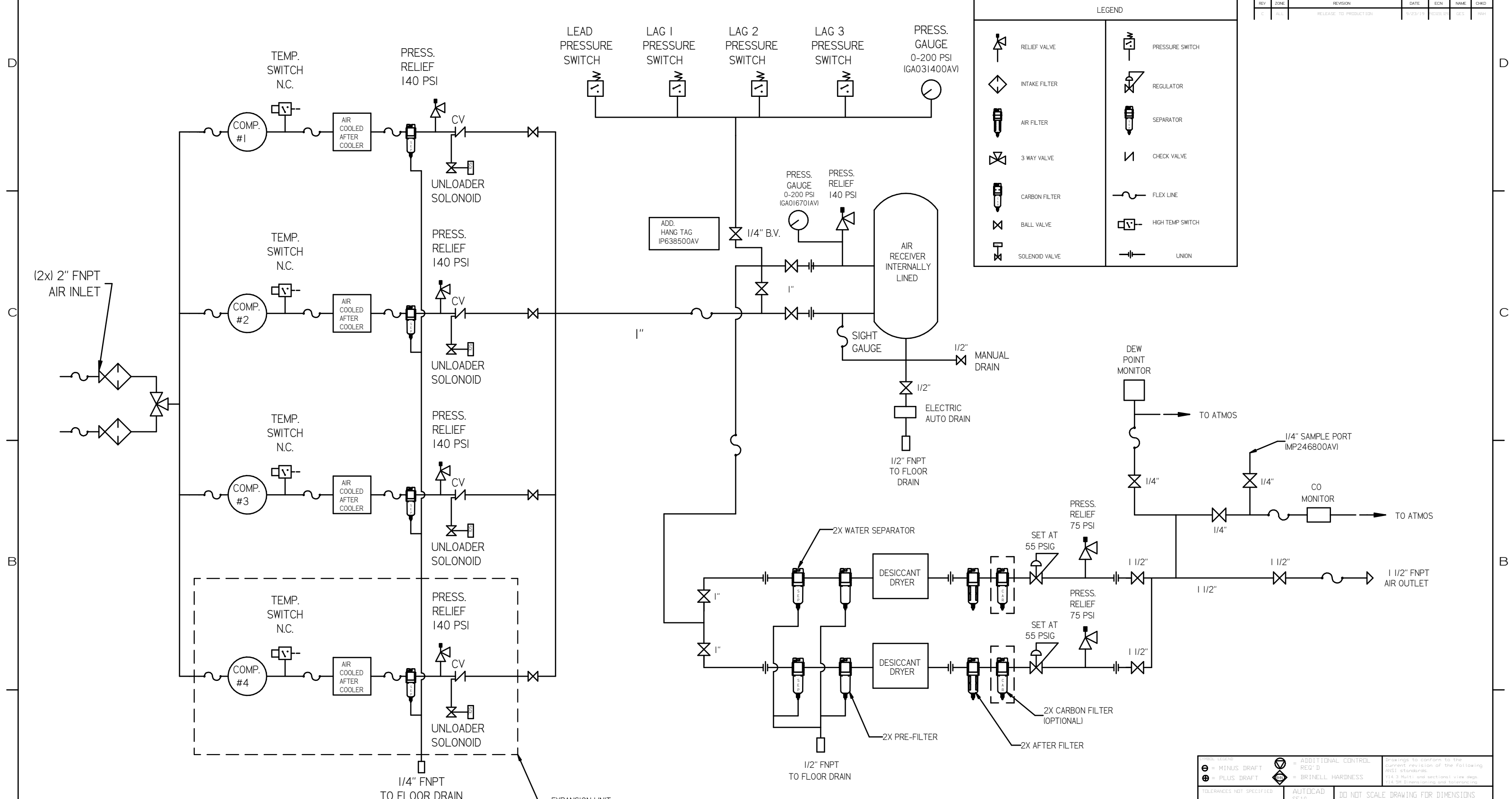


REV	ZONE	REVISION	DATE	EN	NAME	CHKD
1	ALL	RELEASE TO PRODUCTION	9/23/19	GES	MAH	MAH



NOTE: SYSTEM DESIGNED IN COMPLIANCE WITH U.S. NFPA '99, LATEST EDITION.

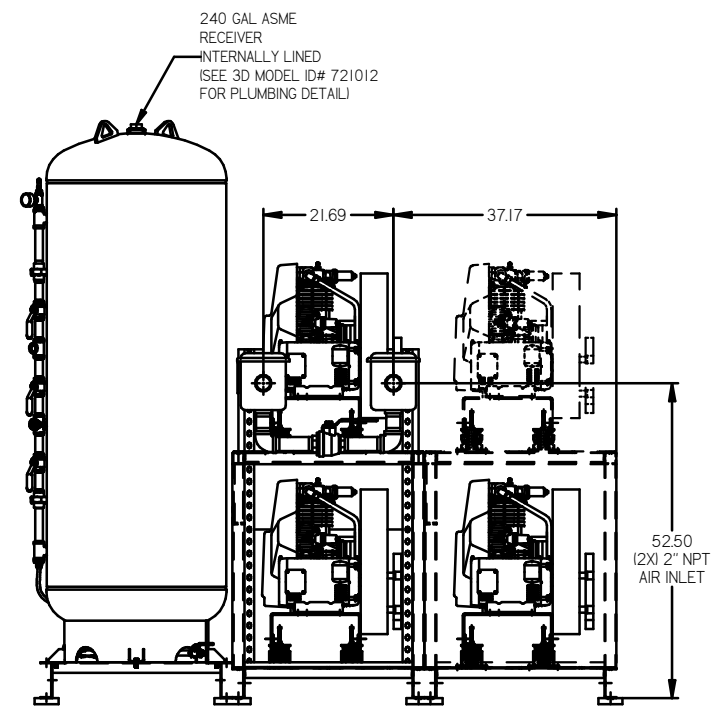
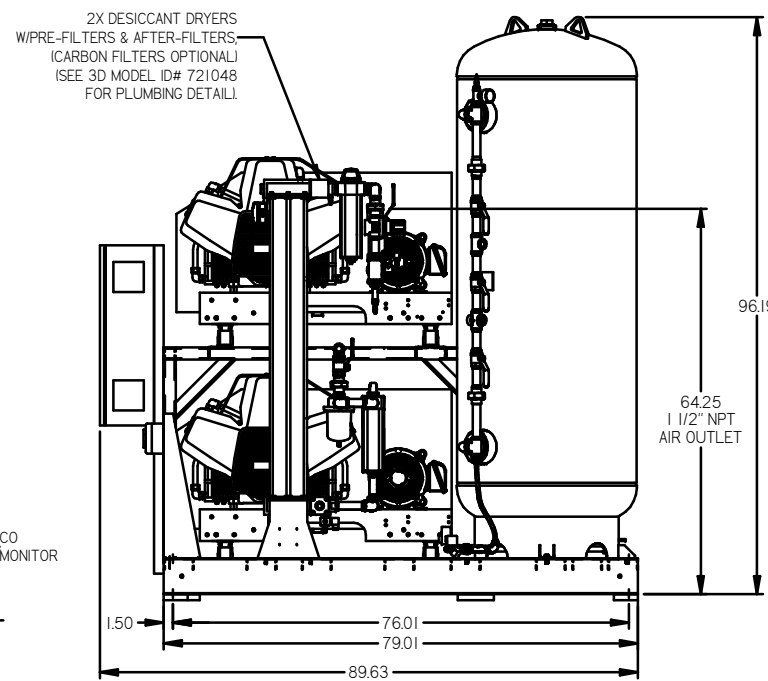
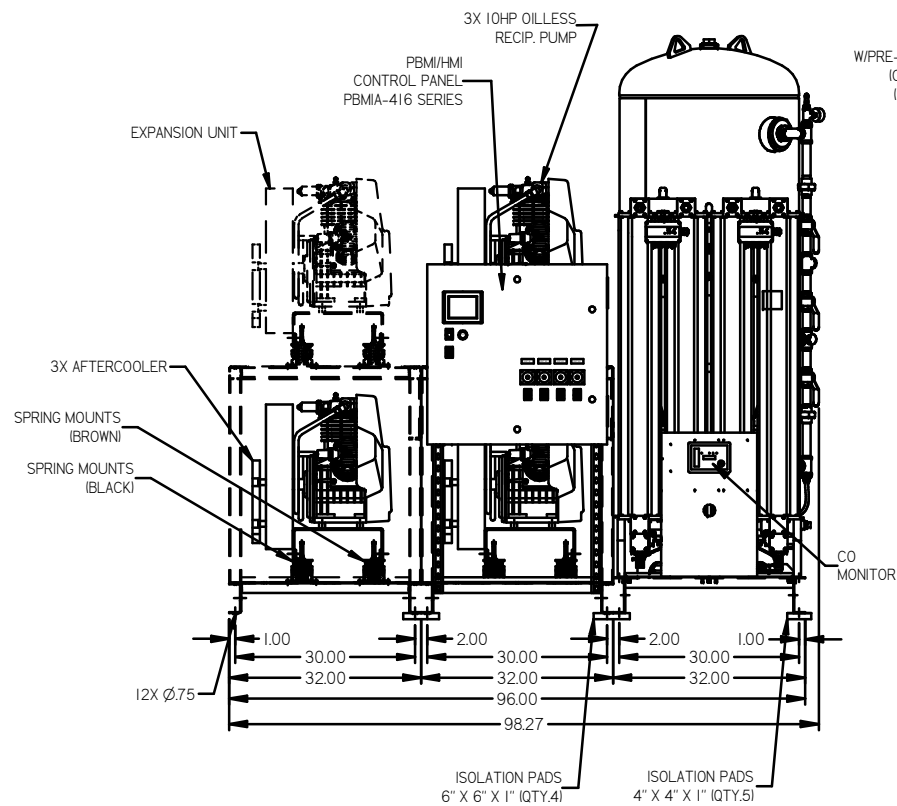
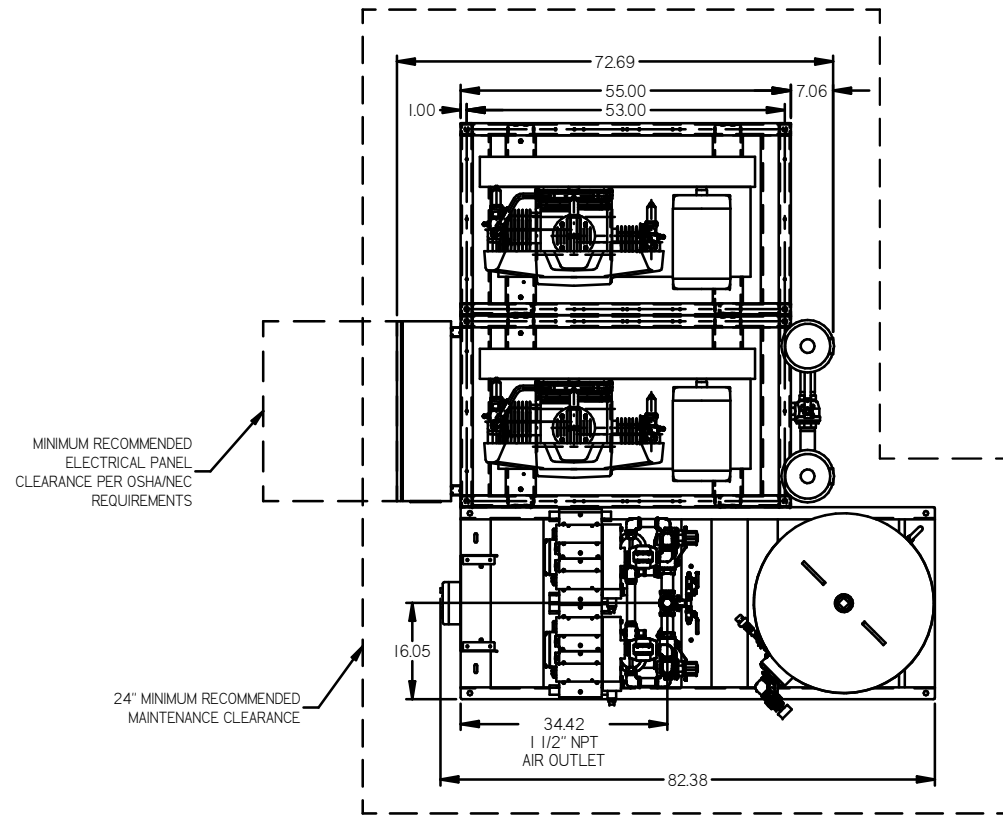
SYMBOL LEGEND ⊖ = MINUS DRAFT ⊕ = PLUS DRAFT ⊗ = BRINELL HARDNESS	⊕ = ADDITIONAL CONTROL REQ'D ⊗ = BRINELL HARDNESS	Drawings to conform to the current revision of the following ANSI standards: Y14.3 Multi and sectional view dsgs. Y14.9 Dimensioning and tolerancing.
TOLERANCES NOT SPECIFIED XX ± XX ± XX ±	AUTOCAD SET 10 INCH	DO NOT SCALE DRAWING FOR DIMENSIONS Sheet 1 of 2 SCALE 1:16
CONFIDENTIAL: This drawing is the property of the CAMPBELL GROUP of the SCOTT FETZER COMPANY and subject to return on demand. Its contents are confidential and must not be copied or submitted to outside parties for use or examination.	DRWN BY: GES CHKD BY: MAH APPROVED BY: GES DATE: 9/23/19	DATE: 9/23/19 DATE: 9/23/19 DATE: 9/23/19 DATE: 9/23/19
MATERIAL: N/A	 MED PACKAGE TRIPLEX-EX4 10HP 240G BASEMOUNT DUPLEX DESICCANT MPT1008-EX4 SIZE D	
PART NAME: MED PACKAGE TRIPLEX-EX4 10HP 240G BASEMOUNT DUPLEX DESICCANT		



NOTES:
 1) IF RESERVE COMPRESSOR IS ENERGIZED ALARM WILL OCCUR.
 2) PIPING TO THE INLET BY OTHERS AND TO BE PER NFPA99
 3) INSTRUMENTS DOWN STREAM OF SOURCE VALVE TO BE SUPPLIED BY OTHERS.

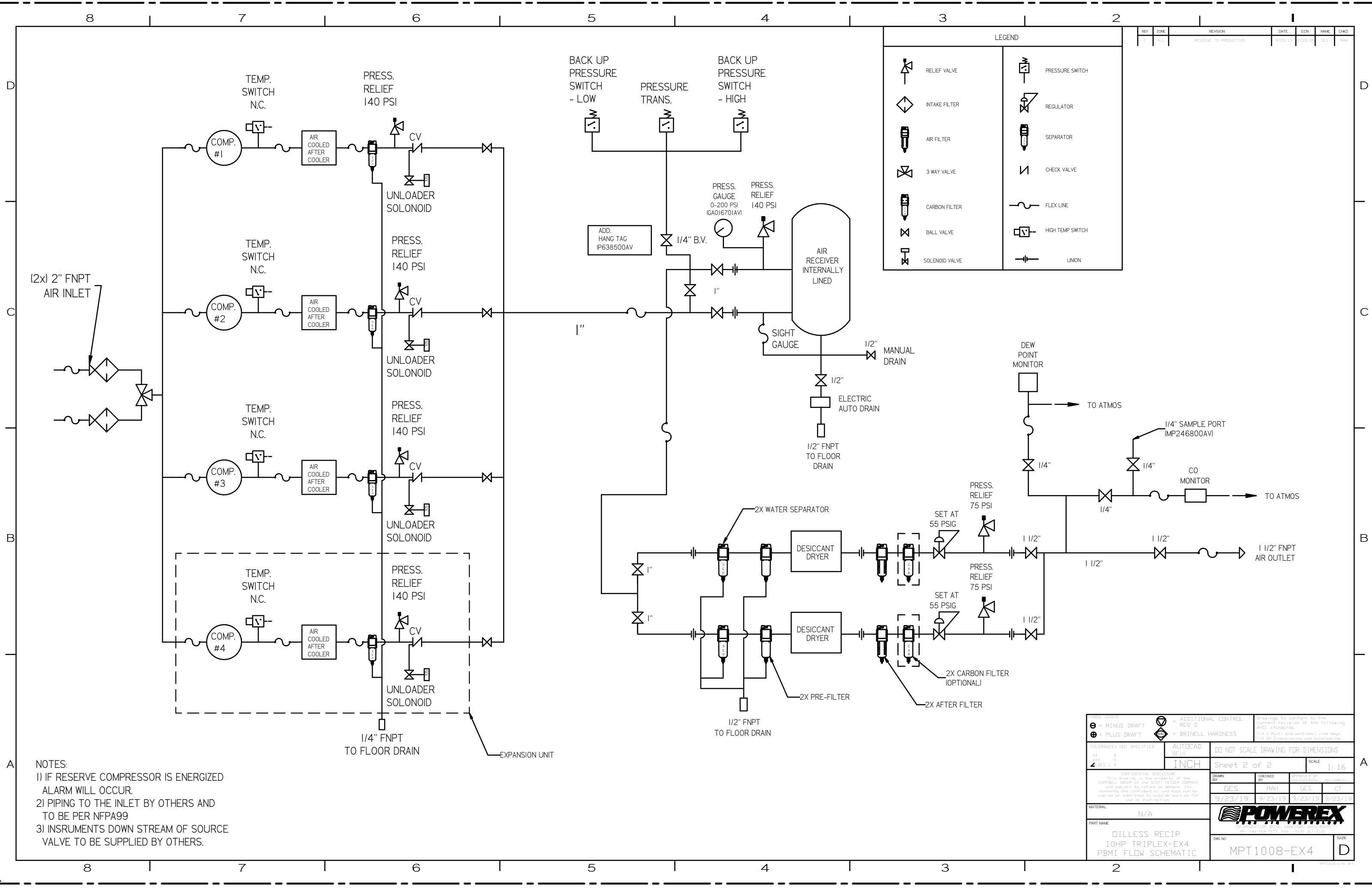
- = MINUS DRAFT + = PLUS DRAFT () = DIMENSIONS NOT SPECIFIED	= ADDITIONAL CONTROL REQ'D = BRINELL HARDNESS	Drawings to conform to the following ANSI standards: 11.3 Multi and sectional view 11.4.3 Dimensioning and tolerancing
AUTOCAD SE10 INCH	DO NOT SCALE DRAWING FOR DIMENSIONS	
Sheet 2 of 2 SCALE 1:16	DRAWN BY: GES CHECKED BY: MAH APPROVED BY: GES	DATE: 9/23/19 DATE: 9/23/19 DATE: 9/23/19
MATERIAL: N/A PART NAME: DILLESS RECIP 10HP TRIPLEX-EX4 BASIC FLOW SCHEMATIC	POWEREX 10000 P.O. BOX 750-7579 FAX: (513) 367-3125	
DWG NO: MPT1008-EX4	SIZE: D	11/23/19

REV	ZONE	REVISION	DATE	ECN	NAME	CHKD
C	ALL	RELEASE TO PRODUCTION	9/23/19		GES	MAH



NOTE: SYSTEM DESIGNED IN COMPLIANCE WITH U.S. NFPA '99, LATEST EDITION.

SYMBOL LEGEND ⊖ = MINUS DRAFT ⊕ = PLUS DRAFT ⊕ = BRINELL HARDNESS		= ADDITIONAL CONTROL REQ'D = BRINELL HARDNESS		Drawings to conform to the current revision of the following ANSI standards: Y14.3 Multi and sectional view dgs. Y14.9 Dimensioning and tolerancing	
TOLERANCES NOT SPECIFIED XX ± XXX ± 2 DEC. ±		AUTOCAD SE10 INCH		DO NOT SCALE DRAWING FOR DIMENSIONS Sheet 1 of 2 SCALE 1:16	
CONFIDENTIAL DISCLOSURE This drawing is the property of the CAMPBELL GROUP of the SCOTT FETZER COMPANY and subject to return on demand. The contents are confidential and must not be copied or submitted to outside parties for use or examination.					
MATERIAL N/A		DRAWN BY GES		CHECKED BY MAH	
PART NAME MED PACKAGE TRIPLEX-EX4 10HP 240G BASEMOUNT DUPLEX DESICCANT		APPROVED BY GES		DATE 9/23/19	
DWG NO MPT1008-EX4		APPROVED BY CT		DATE 9/23/19	
SIZE D					



LEGEND

	RELIEF VALVE		PRESSURE SWITCH
	INTAKE FILTER		REGULATOR
	AIR FILTER		SEPARATOR
	3 WAY VALVE		CHECK VALVE
	CARBON FILTER		FLEX LINE
	BALL VALVE		HIGH TEMP SWITCH
	SOLENOID VALVE		UNION

REV	ZONE	REVISION	DATE	ECN	NAME	CHKD
1		RELEASE TO PRODUCTION	9/23/19		RES	RES

- NOTES:
- 1) IF RESERVE COMPRESSOR IS ENERGIZED ALARM WILL OCCUR.
 - 2) PIPING TO THE INLET BY OTHERS AND TO BE PER NFPA99
 - 3) INSTRUMENTS DOWN STREAM OF SOURCE VALVE TO BE SUPPLIED BY OTHERS.

TOLERANCES NOT SPECIFIED XX ± .X DEG ±	AUTOCAD SE10 INCH	DO NOT SCALE DRAWING FOR DIMENSIONS Sheet 2 of 2 SCALE 1:16
This drawing is the property of the CAMPBELL GROUP of the SCOTT FETZER COMPANY and subject to return on demand. Its contents are confidential and must not be copied or submitted to outside parties for use or reproduction.		
MATERIAL: N/A PART NAME: OILLESS RECIP 10HP TRIPLEX-EX4 PBMI FLOW SCHEMATIC	DRAWN BY: GES CHECKED BY: MAH 9/23/19	APPROVED BY: ENGINEERING: MFG/WRKTS CT 9/23/19
PART NO: MPT1008-EX4		SIZE: D