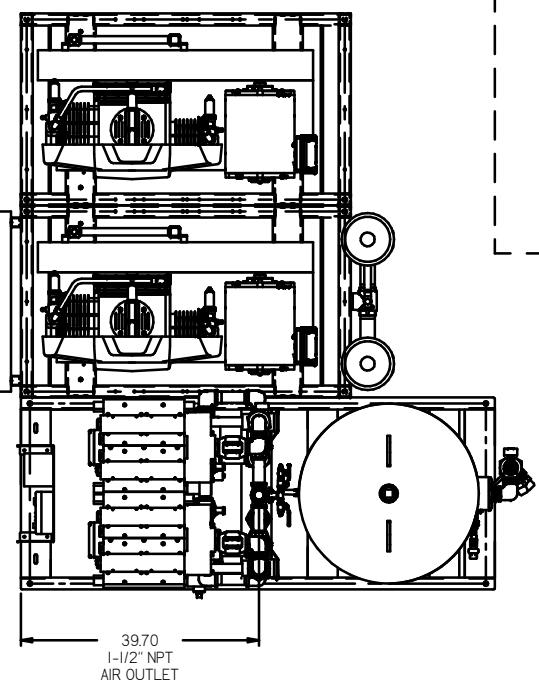


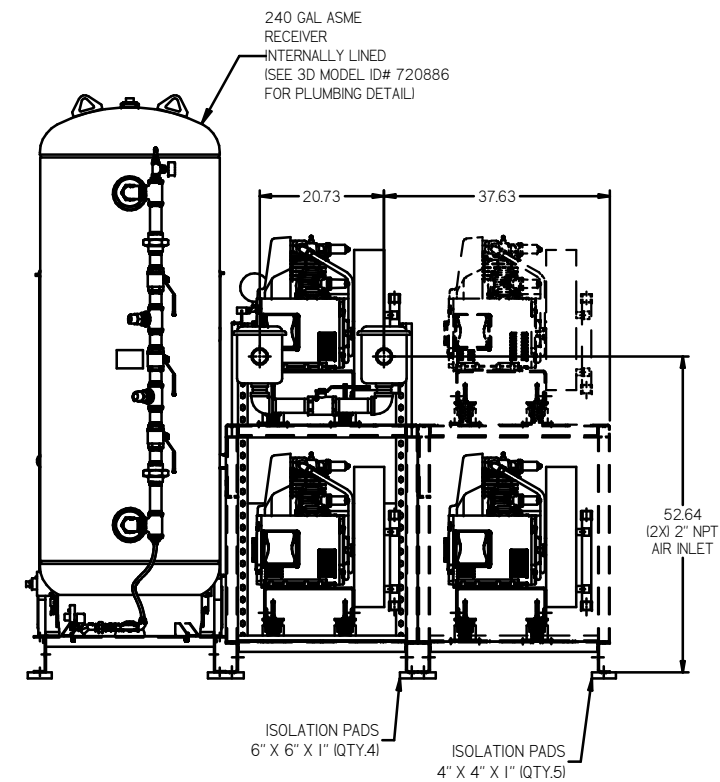
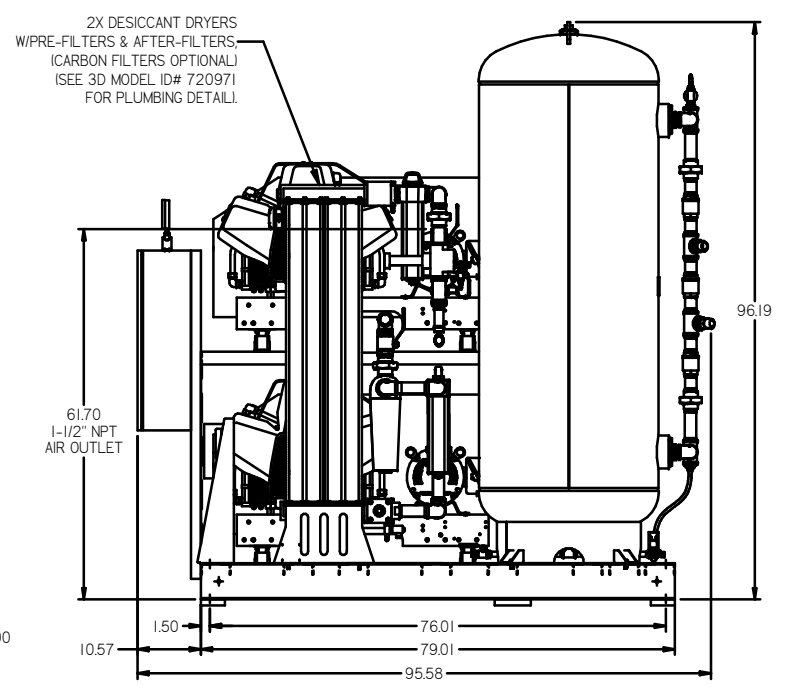
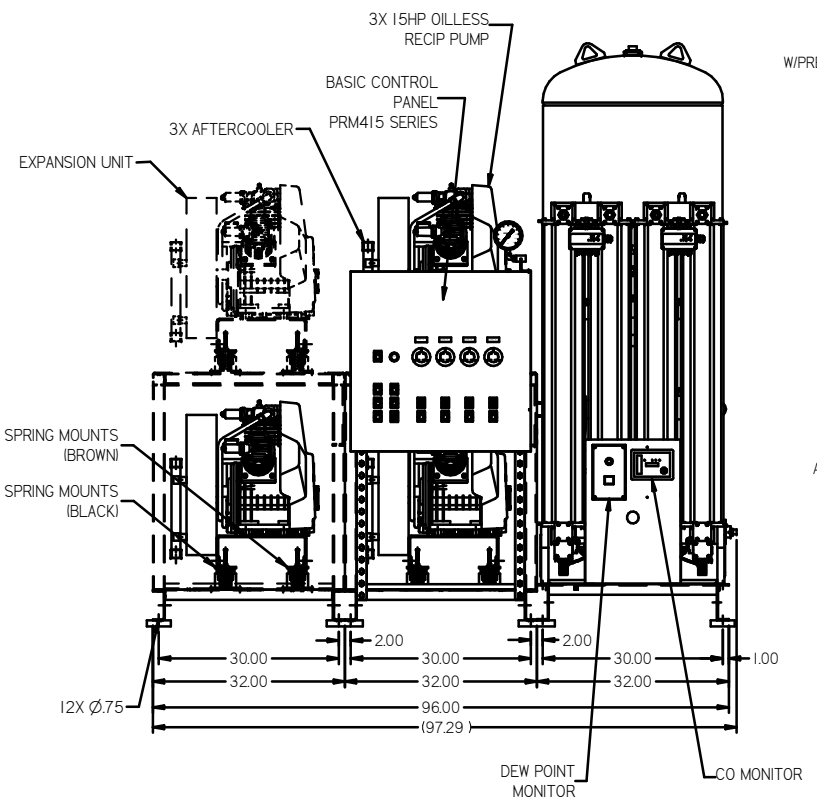
REV	ZONE	REVISION	DATE	ECN	NAME	CHKD
1	ALL	RELEASE TO PRODUCTION	9/20/10	22407	AEK	GES
C4	ALL	UPDATED AFTERCOOLER MOUNTING BRACKET	12/3/10	22407	AEK	GES
D1	ALL	UPDATED SENSING LINE LOCATION	02/20/11	PRC0133	MJD	AEK
E	ALL	OWNED TO TRENT GREENE/ARGONON TANK, UPDATED TO TC, ASSESS P&ID SHEETS	9/20/19	RE220208	GES	MAH

MINIMUM RECOMMENDED ELECTRICAL PANEL CLEARANCE PER OSHA/NEC REQUIREMENTS

MINIMUM RECOMMENDED MAINTENANCE CLEARANCE

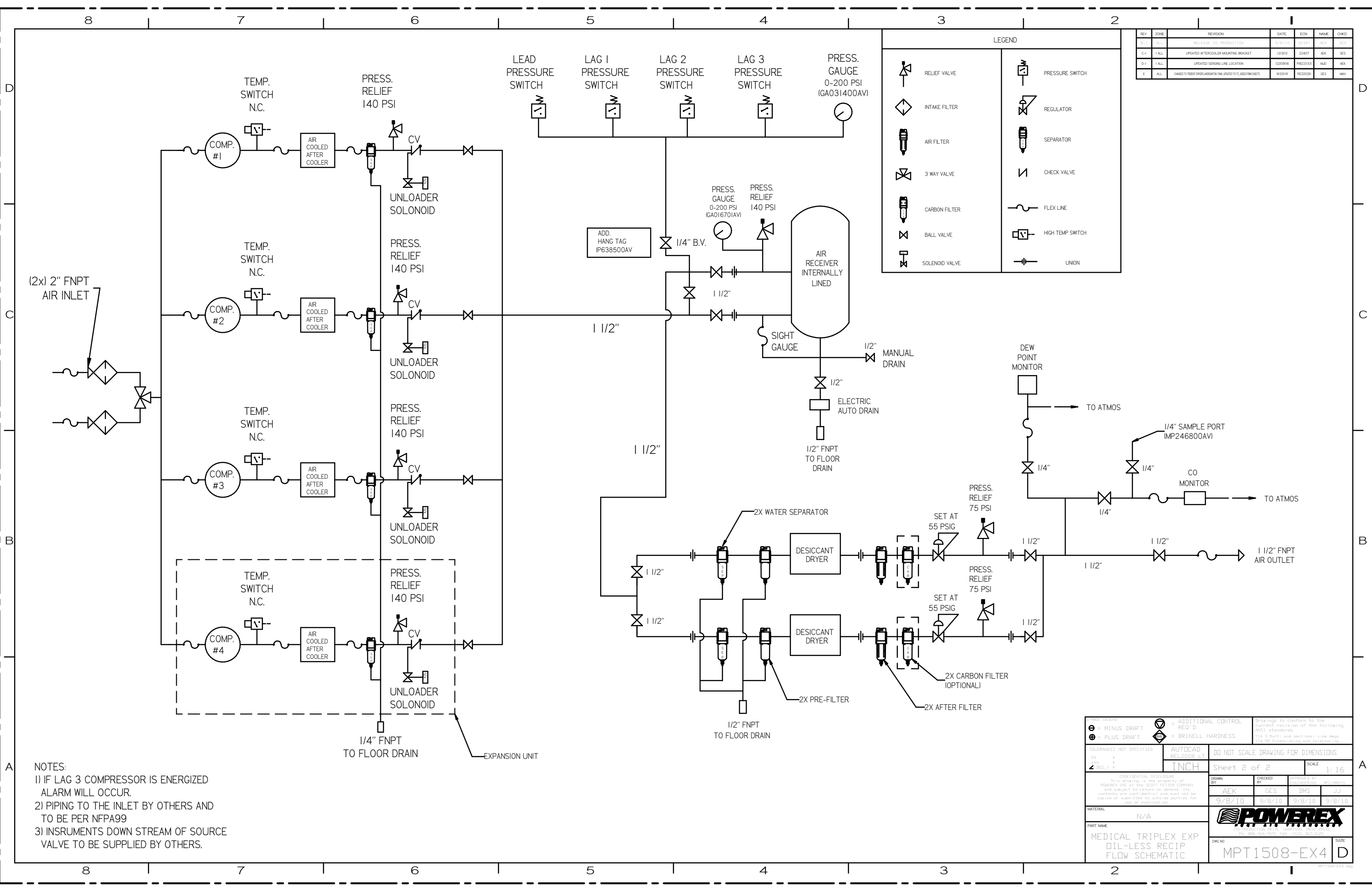


39.70
1-1/2" NPT
AIR OUTLET



NOTE: SYSTEM DESIGNED IN COMPLIANCE WITH U.S. NFPA '99, LATEST EDITION.

<p>SYMBOL LEGEND</p> <p>⊖ = MINUS DRAFT</p> <p>⊕ = PLUS DRAFT</p> <p>⊘ = ADDITIONAL CONTROL REQ'D</p> <p>⊚ = BRINELL HARDNESS</p>	<p>TOLERANCES NOT SPECIFIED</p> <p>XX ±</p> <p>XX ±</p> <p>2 DEG 3.5</p>	<p>AUTOCAD REL2008 L1</p> <p>DO NOT SCALE DRAWING FOR DIMENSIONS</p> <p>Sheet 1 of 2</p> <p>SCALE 1:16</p>	<p>Drawings to conform to the current revision of the following ANSI standards:</p> <p>14.3 Multi and sectional view degn</p> <p>18.2B Dimensioning and tolerancing</p>
<p>CONFIDENTIAL DISCLOSURE</p> <p>This drawing is the property of POWEREX INC. of the SCOTT FETZER COMPANY and subject to return on demand. Its contents are confidential and must not be copied or submitted to outside parties for use or reproduction.</p>	<p>DRWN BY: AEK</p> <p>CHEK'D BY: GES</p> <p>APPROVED BY: DMS</p> <p>DATE: 9/8/10</p>	<p>DATE: 9/8/10</p> <p>DATE: 9/8/10</p> <p>DATE: 9/8/10</p> <p>DATE: 9/8/10</p>	<p>MECHANICAL: DFG</p>
<p>MATERIAL: N/A</p> <p>PART NAME: TRIPLEX-EX4 QL RECIP 15HP 240GAL. BASEMOUNT DUPLEX DESICCANT</p>	<p>POWEREX</p> <p>150 PRODUCTION DRIVE, WASHINGTON, OHIO 43086</p> <p>TEL: 614-769-7872 FAX: 614-769-7873</p>	<p>DWG NO: MPT1508-EX4</p> <p>SIZE: D</p>	



REV	ZONE	REVISION	DATE	ENR	NAME	CHKD
0-1	ALL	RELEASE FOR PRODUCTION	9/8/10	0341	AKK	GES
C-1	ALL	UPDATED AFTER COOLER MOUNTING BRACKET	12/3/10	22407	AKK	GES
D-1	ALL	UPDATED SENSING LINE LOCATION	02/09/10	PRECD033	AKK	AKK
E	ALL	CHANGED TO TREAT SHIMS, MODIFIED TANK, UPDATED TO ILC, KEED FROM SHEETS	9/20/10	PRECD0208	GES	MMH

LEGEND	
	RELIEF VALVE
	INTAKE FILTER
	AIR FILTER
	3 WAY VALVE
	CARBON FILTER
	BALL VALVE
	SOLENOID VALVE
	PRESSURE SWITCH
	REGULATOR
	SEPARATOR
	CHECK VALVE
	FLEX LINE
	HIGH TEMP SWITCH
	UNION

(2x) 2" FNPT AIR INLET

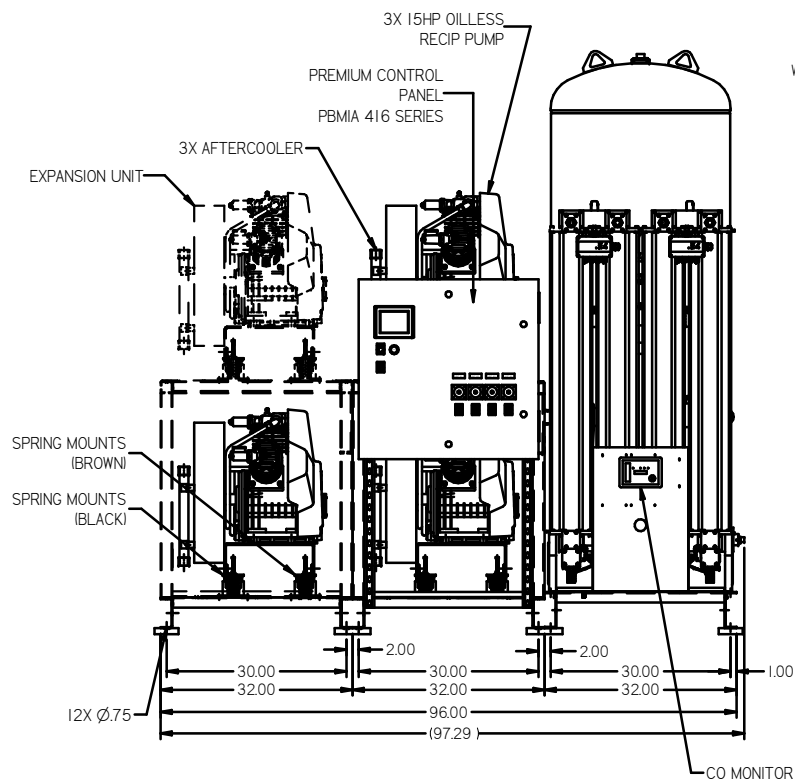
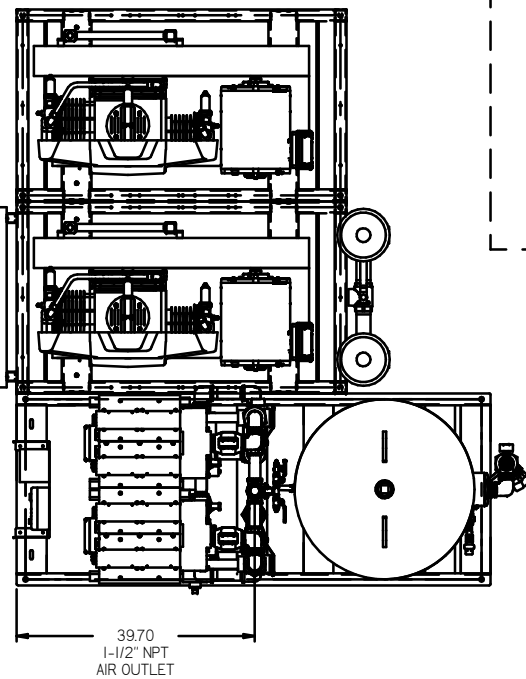
- NOTES:
- 1) IF LAG 3 COMPRESSOR IS ENERGIZED ALARM WILL OCCUR.
 - 2) PIPING TO THE INLET BY OTHERS AND TO BE PER NFPA99
 - 3) INSTRUMENTS DOWN STREAM OF SOURCE VALVE TO BE SUPPLIED BY OTHERS.

SYMBOL LEGEND ⊖ = MINUS DRAFT ⊕ = PLUS DRAFT ⊕ = ADDITIONAL CONTROL REQ'D ⊕ = BRINELL HARDNESS	TOLERANCES NOT SPECIFIED XX ± XX ± 2 (REG.) ±	AUTOCAD RELEASE 1.1 INCH	DO NOT SCALE DRAWING FOR DIMENSIONS Sheet 2 of 2 SCALE 1:16
CONFIDENTIAL DISCLOSURE This drawing is the property of POWEREX INC. of the SCOTT FETZER COMPANY and subject to patents in demand. Its contents are confidential and must not be copied or submitted to outside parties for use or reproduction.		DRAWN BY AEK	CHECKED BY GES
MATERIAL N/A		APPROVED BY DMS	DATE 9/8/10
PART NAME MEDICAL TRIPLEX EXP OIL-LESS RECIP FLOW SCHEMATIC			
ENG NO MPT1508-EX4		SIZE D	

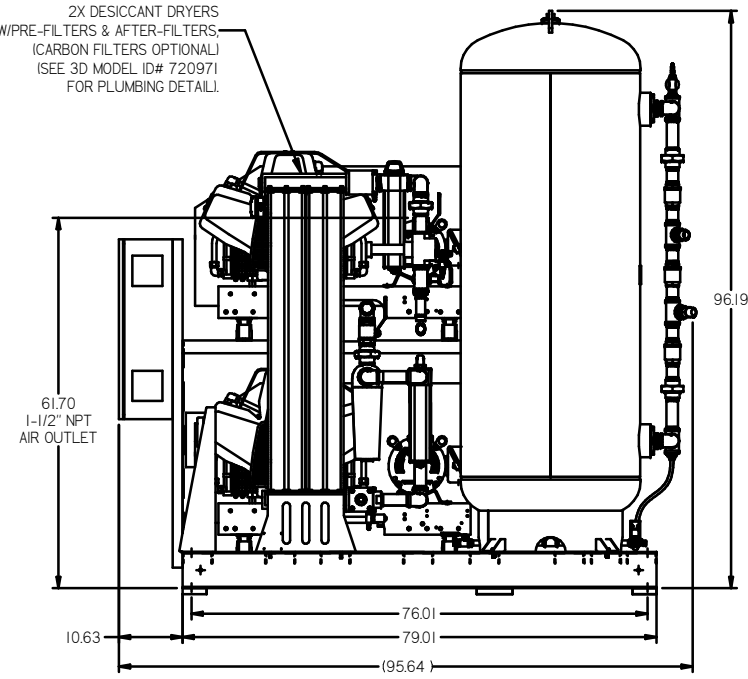
REV	ZONE	REVISION	DATE	ECN	NAME	CHKD
1	ALL	ISSUE FOR FABRICATION AND INSTALLATION	9/20/19		GES	MAH

MINIMUM RECOMMENDED ELECTRICAL PANEL CLEARANCE PER OSHA/NEC REQUIREMENTS

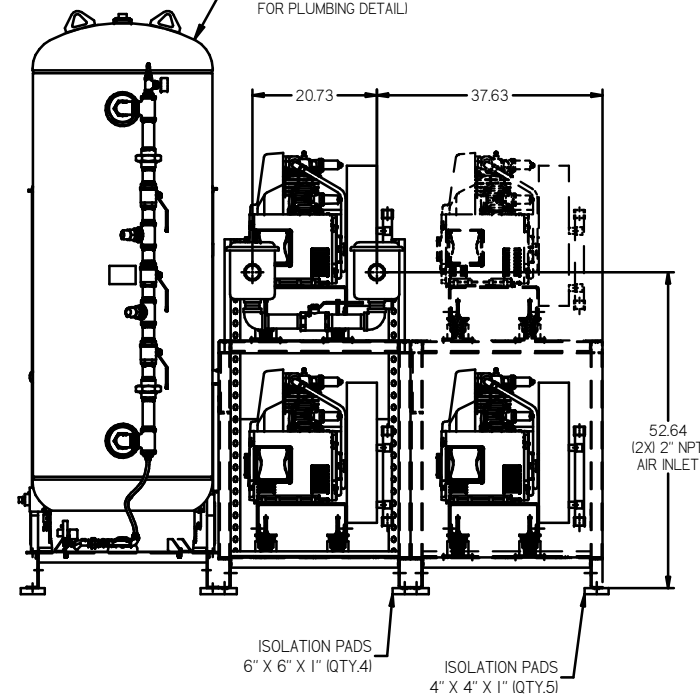
MINIMUM RECOMMENDED MAINTENANCE CLEARANCE



2X DESICCANT DRYERS
W/PRE-FILTERS & AFTER-FILTERS
(CARBON FILTERS OPTIONAL)
(SEE 3D MODEL ID# 720971
FOR PLUMBING DETAIL.)

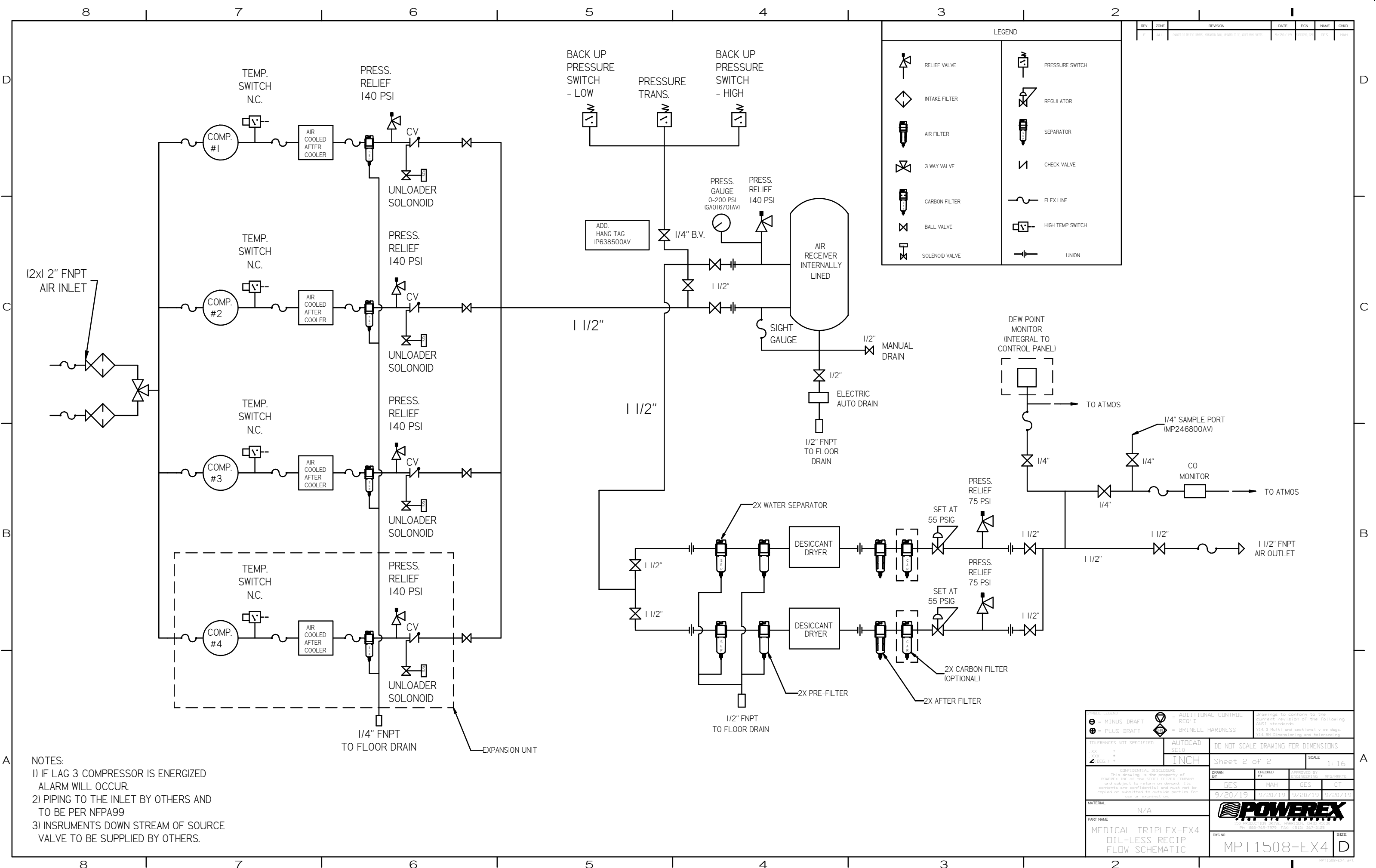


240 GAL ASME RECEIVER
INTERNALLY LINED
(SEE 3D MODEL ID# 720886
FOR PLUMBING DETAIL)



NOTE: SYSTEM DESIGNED IN COMPLIANCE WITH U.S. NFPA '99, LATEST EDITION.

TOLERANCES NOT SPECIFIED: XX ± .005 XY ± .010 Z DEG ± .5	AUTOCAD SE10 INCH	DO NOT SCALE DRAWING FOR DIMENSIONS Sheet 1 of 2 SCALE 1:16
CONFIDENTIAL NOTICE: This drawing is the property of POWEREX, INC. of the SCOTT TETZER COMPANY and subject to return on demand. Its contents are confidential and must not be copied or submitted to outside parties for use or examination.	DRAWN BY: GES CHECKED BY: MAH APPROVED BY: GES, CT 9/20/19 9/20/19 9/20/19 9/20/19	Drawings to conform to the current revision of the following ANSI standards: Y14.3 Multi and sectional view dgs. Y14.99 Dimensioning and tolerancing
MATERIAL: N/A		
PART NAME: TRIPLEX-EX4 DL RECIP 15HP 240GAL. BASEMOUNT DUPLEX DESICCANT	DWG NO: MPT1508-EX4	SIZE: D



LEGEND	
	RELIEF VALVE
	INTAKE FILTER
	AIR FILTER
	3 WAY VALVE
	CARBON FILTER
	BALL VALVE
	SOLENOID VALVE
	PRESSURE SWITCH
	REGULATOR
	SEPARATOR
	CHECK VALVE
	FLEX LINE
	HIGH TEMP SWITCH
	UNION

REV	ZONE	REVISION	DATE	ECN	NAME	CHKD

- NOTES:
- 1) IF LAG 3 COMPRESSOR IS ENERGIZED ALARM WILL OCCUR.
 - 2) PIPING TO THE INLET BY OTHERS AND TO BE PER NFPA99
 - 3) INSTRUMENTS DOWN STREAM OF SOURCE VALVE TO BE SUPPLIED BY OTHERS.

MINUS DRAFT PLUS DRAFT TOLERANCES NOT SPECIFIED XX ± XXX ± Z (DEC) ±	AUTOCAD SE10 INCH	ADDITIONAL CONTROL REQ'D BRINELL HARDNESS Drawings to conform to the following standards: ASME Y14.2 Multi and sectional view degn. ASME Y14.3 Dimensioning and tolerancing
CONFIDENTIAL DISCLOSURE This drawing is the property of POWEREX INC. of the SCOTT FETZER COMPANY and subject to return on demand. Its contents are confidential and must not be copied or submitted to outside parties for use or examination.		DO NOT SCALE DRAWING FOR DIMENSIONS Sheet 2 of 2 SCALE 1:16
MATERIAL N/A PART NAME MEDICAL TRIPLEX-EX4 OIL-LESS RECIP FLOW SCHEMATIC		DRAWN BY GES 9/20/19
DWG NO MPT1508-EX4		CHECKED BY MAH 9/20/19
APPROVED BY GES 9/20/19		APPROVED BY MFG/MB/TG CT 9/20/19
SIZE D		 150 PRODUCTION DRIVE, HARRISON, OHIO 45030 TEL: 800-765-7075 FAX: 513-325-3225