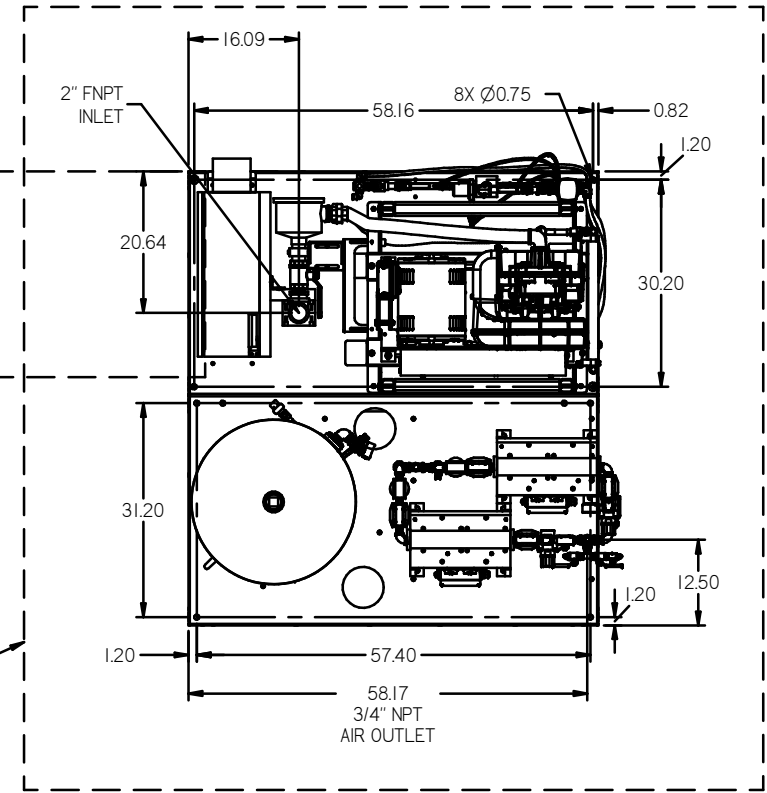


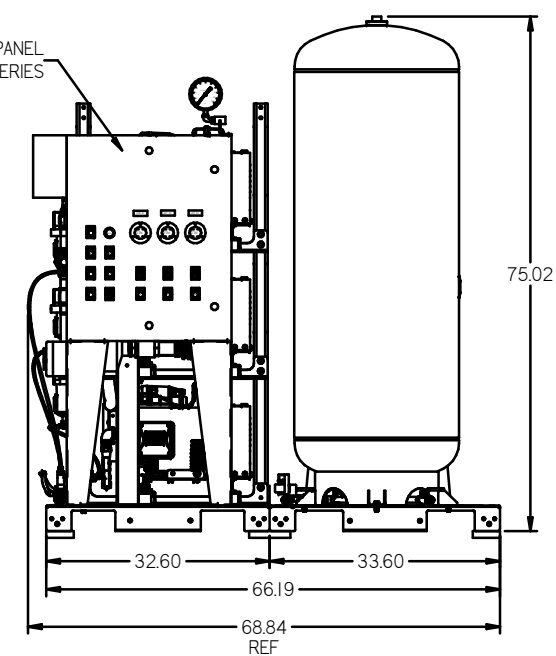
REV	ZONE	REVISION	DATE	ECN	NAME	CHKD
D	ALL	RELEASED TO PRODUCTION	1/29/16	REC0016	MD	GES
C4	2 ALL 2 ALL 1 ALL 1 ALL	CORRECTED SEPARATOR DRAIN LINES TO 1/4" ADDED NOTE TO REMOVE SEPARATOR FLOAT ADDED OUTLINE FOR RECOMMENDED CLEARANCES UPDATED INLET TREE	01/11/17	PRC00167	MD	GES
D	ALL	CHANGED TO TREAT DRYERS, MOUNTAIN TANK, UPDATED TO TEAM CENTER	8/2/19	PRC00029	GES	MH

MINIMUM RECOMMENDED ELECTRICAL PANEL CLEARANCE PER OSHA/NEC REQUIREMENTS

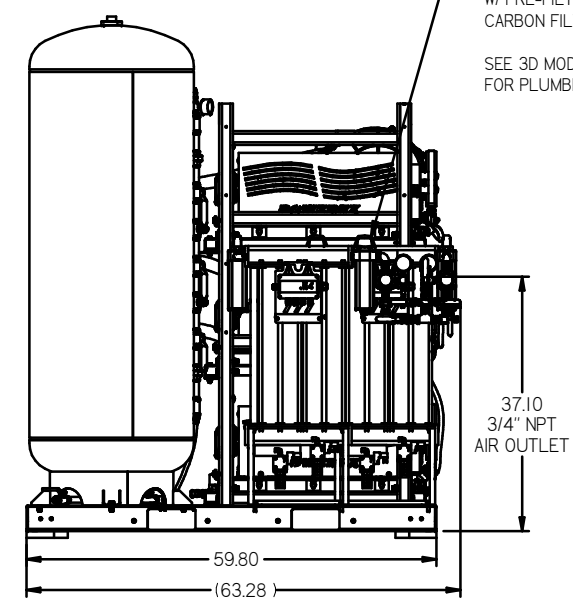
24" MINIMUM RECOMMENDED MAINTENANCE CLEARANCE



BASIC CONTROL PANEL PSM313 SERIES



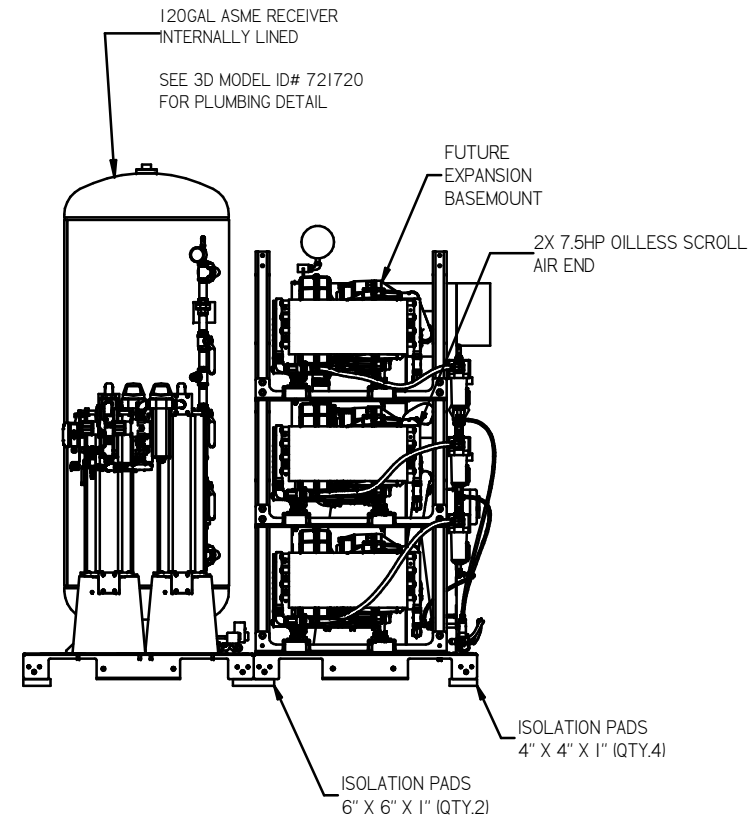
2X DESICCANT DRYERS W/ PRE-FILTERS & AFTER-FILTERS. CARBON FILTERS ARE OPTIONAL.
SEE 3D MODEL ID# 722271 FOR PLUMBING DETAIL



120GAL ASME RECEIVER INTERNALLY LINED
SEE 3D MODEL ID# 721720 FOR PLUMBING DETAIL

FUTURE EXPANSION BASEMOUNT

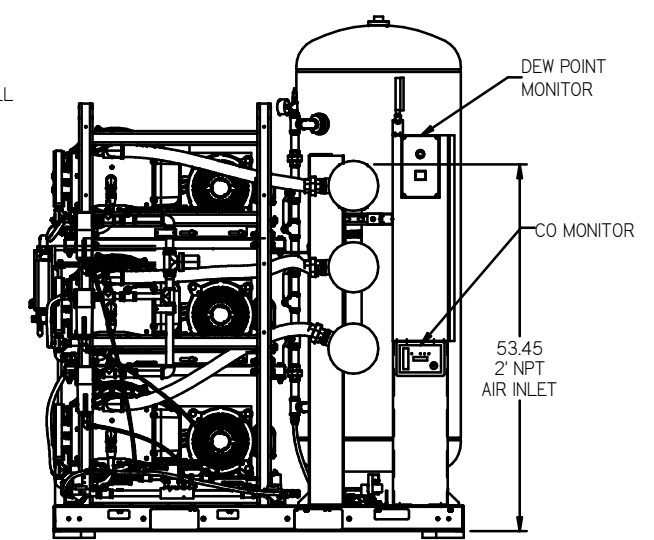
2X 7.5HP OILLESS SCROLL AIR END



DEW POINT MONITOR

CO MONITOR

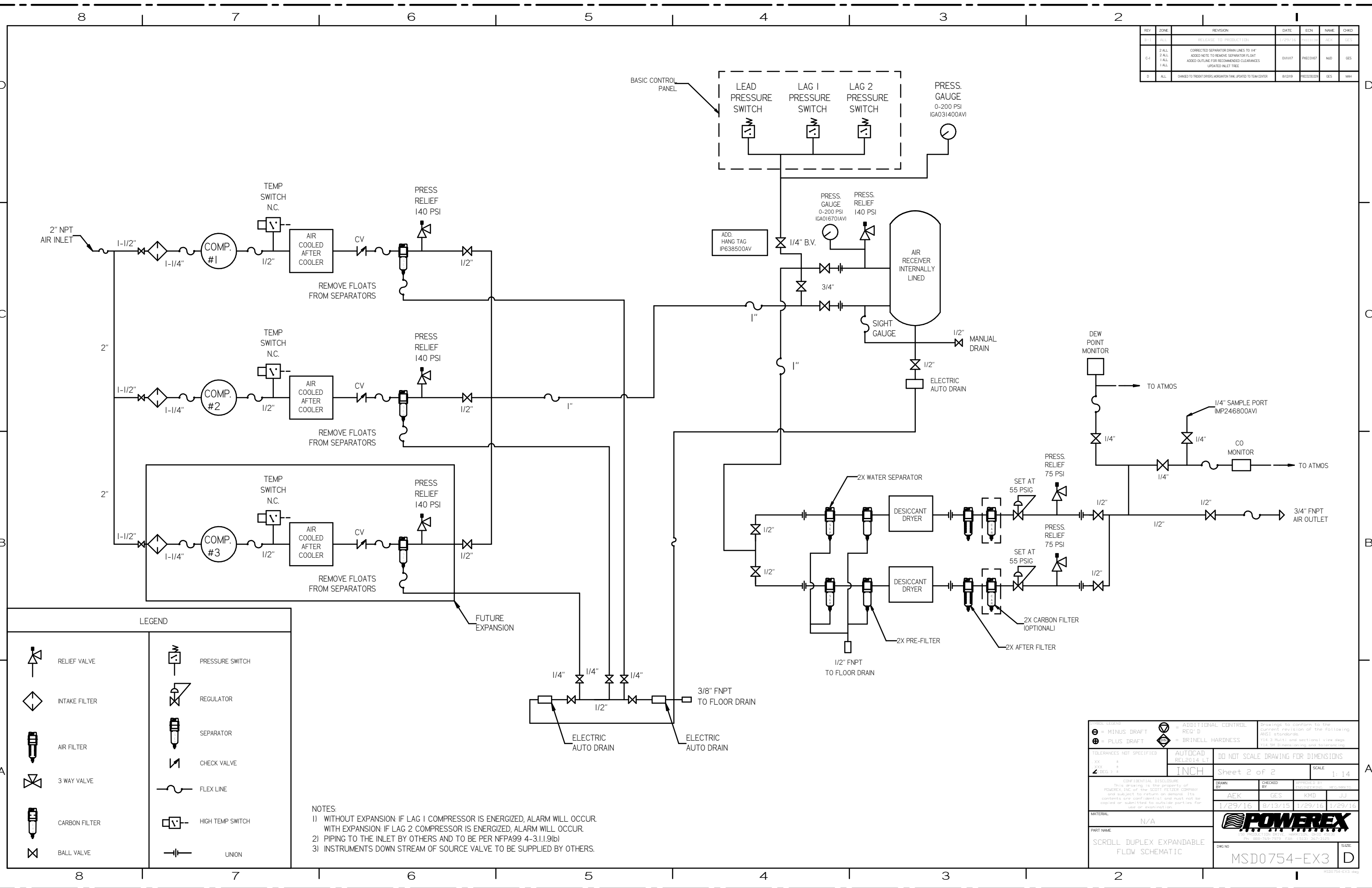
53.45
2\"/>



NOTE: SYSTEM DESIGNED IN COMPLIANCE WITH US NFPA'99, LATEST EDITION.

SYMBOL LEGEND		DRAWINGS TO CONFORM TO THE CURRENT REVISION OF THE FOLLOWING ANSI STANDARDS:	
⊖	= MINUS DRAFT	⊕	= ADDITIONAL CONTROL REQ'D
⊕	= PLUS DRAFT	⊖	= BRINELL HARDNESS
TOLERANCES NOT SPECIFIED		DO NOT SCALE DRAWING FOR DIMENSIONS	
XX ±	AUTOCAD REL2014 LT	Sheet 1 of 2	
XX ±	INCH	SCALE 1:14	
2 DEG ±			
CONFIDENTIAL DISCLOSURE: This drawing is the property of POWEREX, INC. or the SCOTT FETZER COMPANY and subject to return on demand. Its contents are confidential and must not be copied or submitted for outside parties for use or dissemination.		DRWN BY	CHECKED BY
		AEK	GES
		APPROVED BY	KMD
		1/29/16	8/13/15
		1/29/16	1/29/16
MATERIAL N/A		POWEREX	
PART NAME		150 PRODUCTION DRIVE, HARRISBURG, OHIO 44333 PH: 989-729-7079 FAX: 989-729-3129	
DUPLEX SCROLL EXP 7.5HP 120GAL BASEMOUNT DUPLEX DESICCANT		DWG NO	SIZE
		MSD0754-EX3	D

REV	DATE	BY	CHKD	DESCRIPTION
0-1	1/29/16	REC0010	REC	RELEASE TO PRODUCTION
1-1	01/11/17	REC0010	MJD	CORRECTED SEPARATOR DRAIN LINES TO 1/4"
2-1				ADDED NOTE TO REMOVE SEPARATOR FLOAT
3-1				ADDED OUTLINE FOR RECOMMENDED CLEARANCES
4-1				UPDATED INLET FLEX
5-1	8/2/19	REC00303	GES	CHANGED TO TROBT DRESS, MORGANTON TANK, UPDATED TO TEAM CENTER



LEGEND

	RELIEF VALVE		PRESSURE SWITCH
	INTAKE FILTER		REGULATOR
	AIR FILTER		SEPARATOR
	3 WAY VALVE		CHECK VALVE
	CARBON FILTER		FLEX LINE
	BALL VALVE		HIGH TEMP SWITCH
			UNION

NOTES:

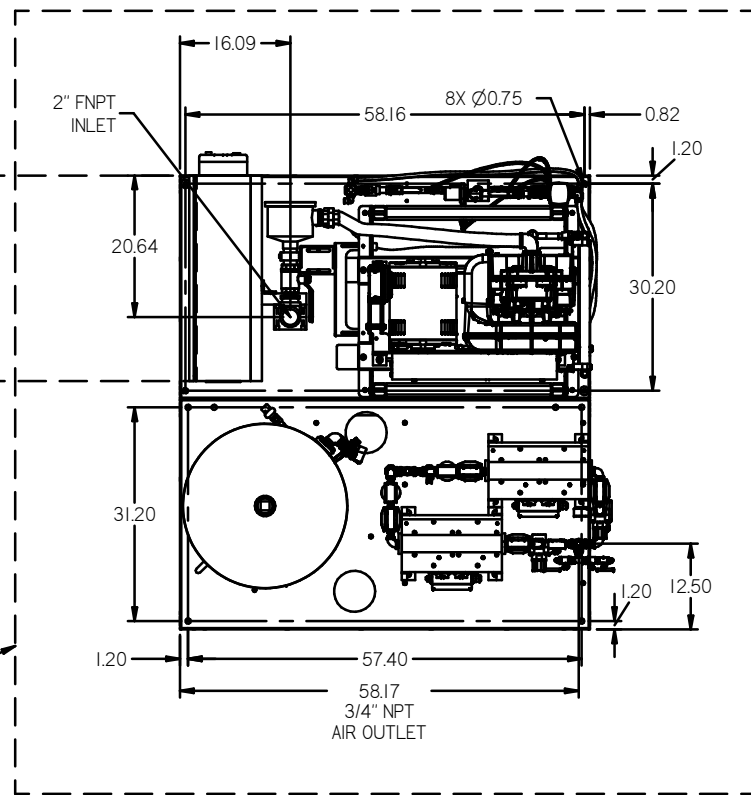
- 1) WITHOUT EXPANSION: IF LAG 1 COMPRESSOR IS ENERGIZED, ALARM WILL OCCUR. WITH EXPANSION: IF LAG 2 COMPRESSOR IS ENERGIZED, ALARM WILL OCCUR.
- 2) PIPING TO THE INLET BY OTHERS AND TO BE PER NFPA99 4-3.1.1.9(b)
- 3) INSTRUMENTS DOWN STREAM OF SOURCE VALVE TO BE SUPPLIED BY OTHERS.

<p>MINUS DRAFT</p> <p>PLUS DRAFT</p> <p>REG'D</p> <p>BRINELL HARDNESS</p>	<p>ADDITIONAL CONTROL</p>	<p>Drawings to conform to the current revision of the following ASME standards:</p> <p>14.3 Multi and sectional view dgs.</p> <p>14.9 Dimensioning and tolerancing</p>
<p>TOLERANCES NOT SPECIFIED</p> <p>XX ±</p> <p>XX ±</p> <p>2 NEG. ±</p>	<p>AUTOCAD</p> <p>REL2014.LT</p> <p>INCH</p>	<p>DO NOT SCALE DRAWING FOR DIMENSIONS</p> <p>Sheet 2 of 2</p> <p>SCALE 1:14</p>
<p>CONFIDENTIAL DISCLOSURE</p> <p>This drawing is the property of POWEREX, INC. of the SCOTT FETZER COMPANY and subject to return on demand. Its contents are confidential and must not be copied or submitted to outside parties for use on any machine.</p>	<p>DRAWN BY</p> <p>AEK</p> <p>1/29/16</p>	<p>CHECKED BY</p> <p>GES</p> <p>8/13/15</p>
<p>MATERIAL</p> <p>N/A</p>	<p>PROVIDED BY</p> <p>KMD</p> <p>1/29/16</p>	<p>APPROVED BY</p> <p>JJ</p> <p>1/29/16</p>
<p>PART NAME</p> <p>SCROLL DUPLEX EXPANDABLE FLOW SCHEMATIC</p>	<p>DWG NO</p> <p>MSD0754-EX3</p>	<p>SIZE</p> <p>D</p>

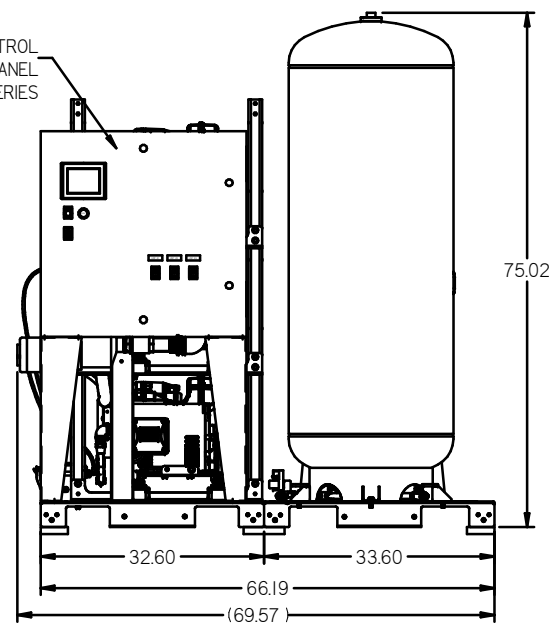
REV	ZONE	REVISION	DATE	ECN	NAME	CHKD
1	ALL	RELEASED TO PRODUCTION	1/29/16		AEK	GES
2	ALL	CORRECTED SEPARATOR DRAIN LINES TO 1/4"				
3	ALL	ADDED NOTE TO REMOVE SEPARATOR FLOAT				
4	ALL	ADDED OUTLINE FOR RECOMMENDED CLEARANCES				
5	ALL	UPDATED INLET TREE				
6	ALL	OWNED TO TRENT BRIS MORGAN TANK, UPDATED TO TERN CENTER	8/20/19		PREC0167	GES
					PREC02020	GES
						MH

MINIMUM RECOMMENDED ELECTRICAL PANEL CLEARANCE PER OSHA/NEC REQUIREMENTS

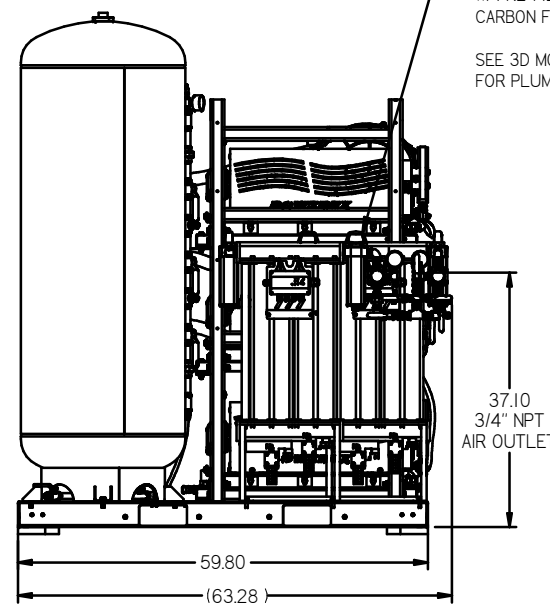
24" MINIMUM RECOMMENDED MAINTENANCE CLEARANCE



PREMIUM CONTROL PANEL
PBMS316 SERIES



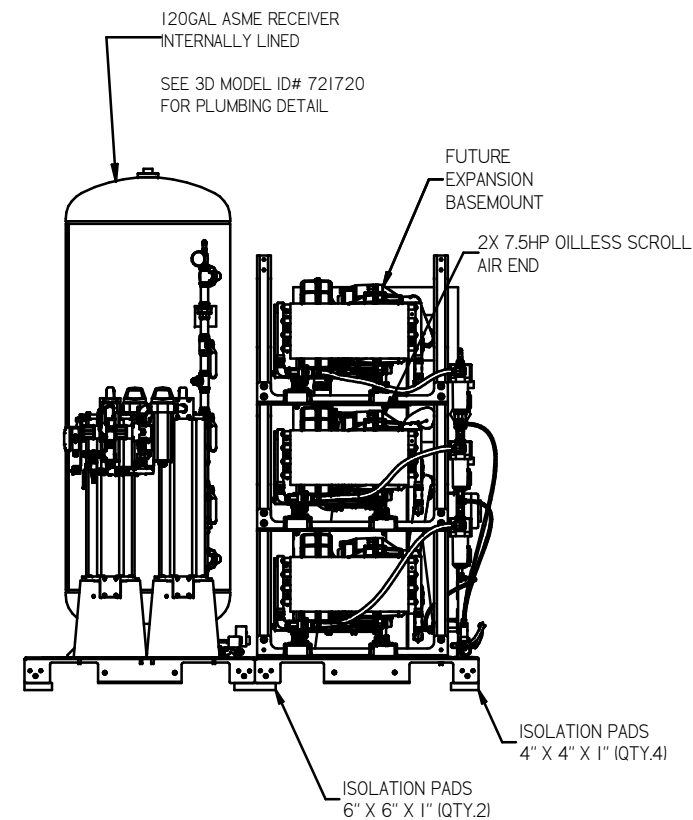
2X DESICCANT DRYERS
W/ PRE-FILTERS & AFTER-FILTERS.
CARBON FILTERS ARE OPTIONAL.
SEE 3D MODEL ID# 722271
FOR PLUMBING DETAIL



120GAL ASME RECEIVER
INTERNALLY LINED
SEE 3D MODEL ID# 721720
FOR PLUMBING DETAIL

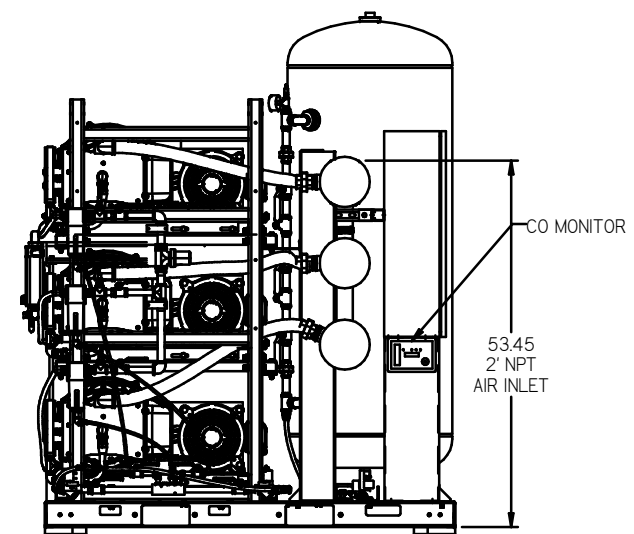
FUTURE
EXPANSION
BASEMOUNT

2X 7.5HP OILLESS SCROLL
AIR END



CO MONITOR

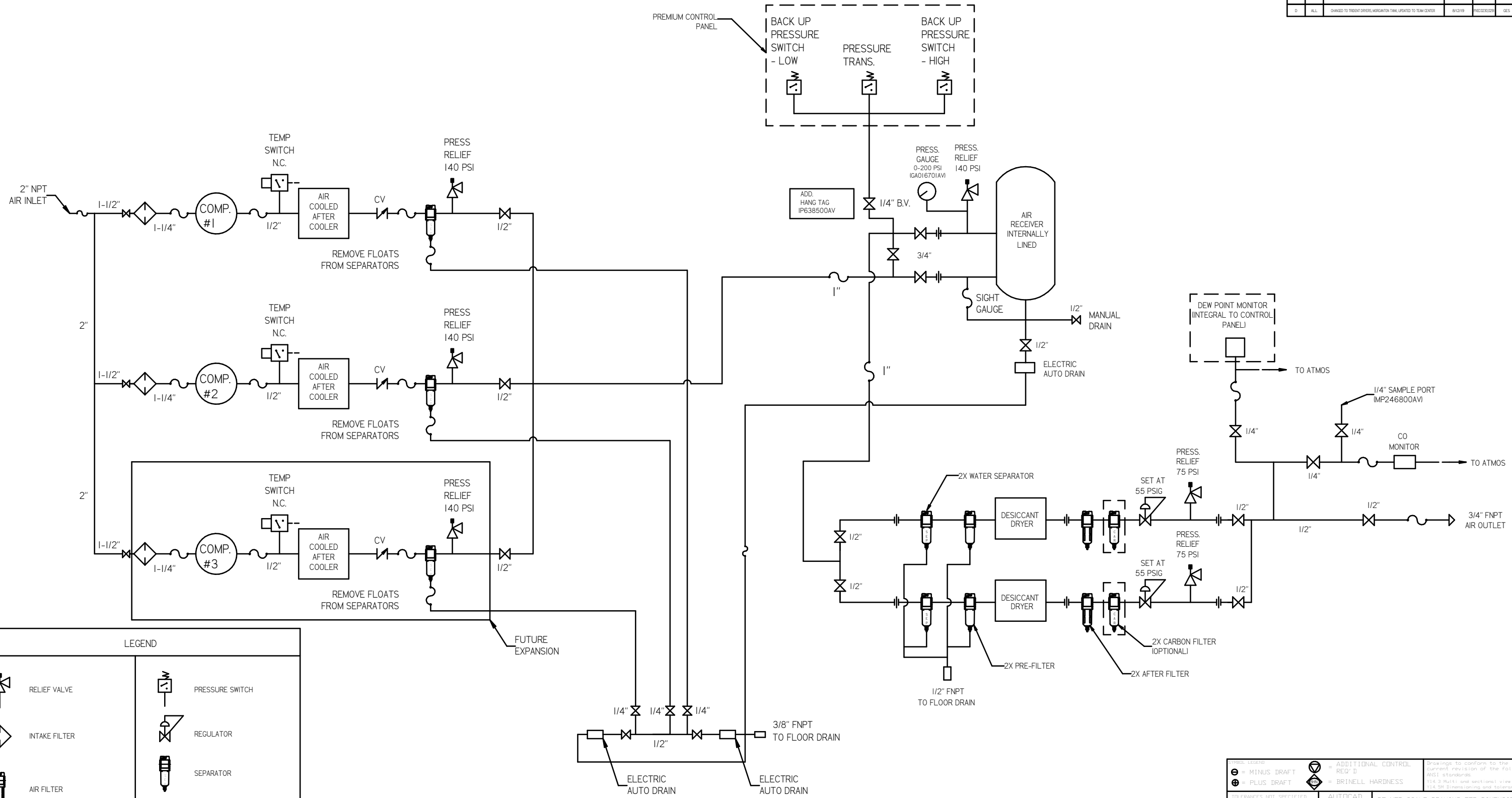
53.45
2\"/>



NOTE: SYSTEM DESIGNED IN COMPLIANCE WITH US NFPA'99, LATEST EDITION.

SYMBOL LEGEND		DRAWING TO CONFORM TO THE CURRENT REVISION OF THE FOLLOWING ANSI STANDARDS:	
⊖	MINUS DRAFT	⊕	ADDITIONAL CONTROL REQ'D
⊕	PLUS DRAFT	⊖	BRINELL HARDNESS
TOLERANCES NOT SPECIFIED		DO NOT SCALE DRAWING FOR DIMENSIONS	
XX ±	AUTOCAD	Sheet 1 of 2	
XX ±	REL2014 L1	SCALE 1:14	
2 DEC ±	INCH		
CONFIDENTIAL DISCLOSURE: This drawing is the property of POWEREX, INC. of the SCOTT FETZER COMPANY and subject to return on demand. Its contents are confidential and must not be copied or submitted to outside parties for use or examination.			
DRAWN BY		APPROVED BY	
AEK		KMD	
1/29/16		1/29/16	
CHECKED BY		APPROVED BY	
GES		JJ	
8/13/15		1/29/16	
MATERIAL		PART NAME	
N/A		DUPLX SCROLL EXP 7.5HP 120GAL BASEMOUNT DUPLX DESICCANT	
DWG NO		SIZE	
MSD0754-EX3		D	

REV	ZONE	REVISION	DATE	ECN	NAME	CHKD
B	ALL	RELEASE TO PRODUCTION	1/29/16		GES	GES
C-1	2 ALL 2 ALL 1 ALL 1 ALL	CORRECTED SEPARATOR DRAIN LINES TO 1/4" ADDED NOTE TO REMOVE SEPARATOR FLOAT ADDED OUTLINE FOR RECOMMENDED CLEARANCES UPDATED INLET TREE	01/11/17		PXC0167	MJD GES
D	ALL	CHANGED TO TIGHTEN DRIP/LEAKAGE/TANK UPDATED TO TEAM CENTER	8/2/19		REC020128	GES MHW



LEGEND

	RELIEF VALVE		PRESSURE SWITCH
	INTAKE FILTER		REGULATOR
	AIR FILTER		SEPARATOR
	3 WAY VALVE		CHECK VALVE
	CARBON FILTER		FLEX LINE
	BALL VALVE		HIGH TEMP SWITCH
			UNION

NOTES:
 1) WITHOUT EXPANSION: IF LAG 1 COMPRESSOR IS ENERGIZED, ALARM WILL OCCUR.
 WITH EXPANSION: IF LAG 2 COMPRESSOR IS ENERGIZED, ALARM WILL OCCUR.
 2) PIPING TO THE INLET BY OTHERS AND TO BE PER NFPA99 4-3.1.1.9(b)
 3) INSTRUMENTS DOWN STREAM OF SOURCE VALVE TO BE SUPPLIED BY OTHERS.

TOLERANCES NOT SPECIFIED XX ± X ± < DEG > ±	AUTOCAD REL2014.LT INCH	DO NOT SCALE DRAWING FOR DIMENSIONS Sheet 2 of 2 SCALE 1:14
THIS DRAWING IS THE PROPERTY OF POWEREX, INC. OF THE SOCIETY FETTER COMPANY AND IS SUBJECT TO RETURN ON DEMAND. ITS CONTENTS ARE CONFIDENTIAL AND MUST NOT BE COPIED OR SUBMITTED TO OTHER PARTIES FOR USE OR REPRODUCTION.		
DRAWN BY: AEK 1/29/16	CHECKED BY: GES 9/13/15	APPROVED BY: KMD, JJ 1/29/16, 1/29/16
MATERIAL: N/A		 150 PRODUCTION DRIVE, HARRISBURG, OHIO 45030 PH: 600-765-7075 FAX: 610-362-3105
PART NAME: SCROLL DUPLEX EXPANDABLE FLOW SCHEMATIC		
DWG NO: MSD0754-EX3		SIZE: D