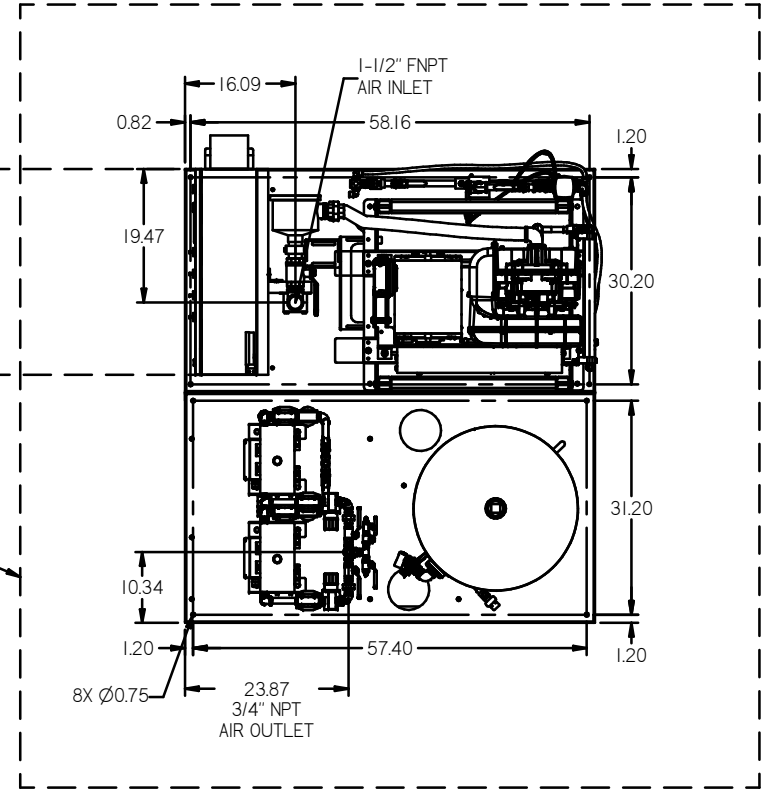
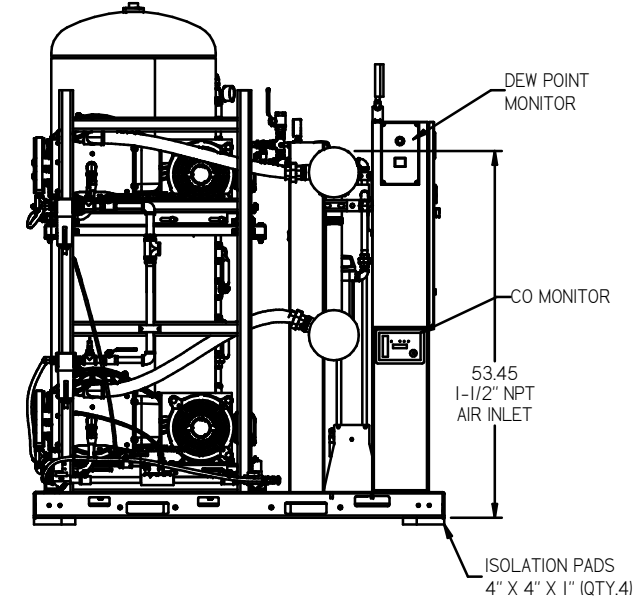
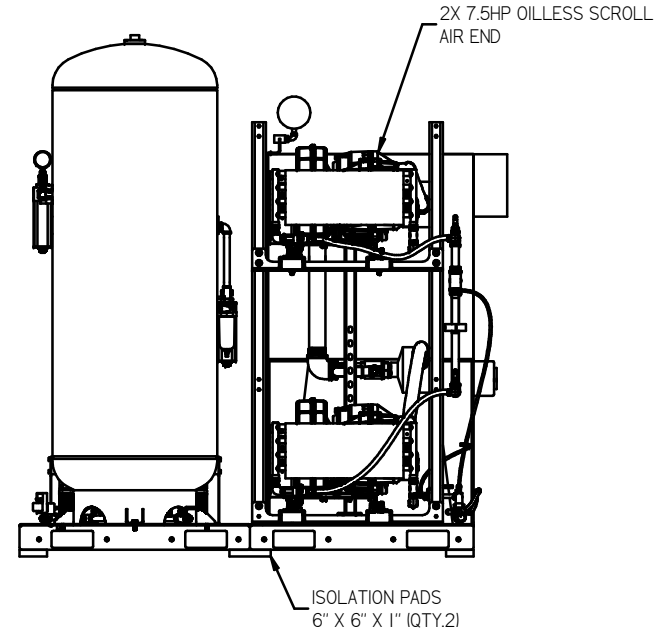
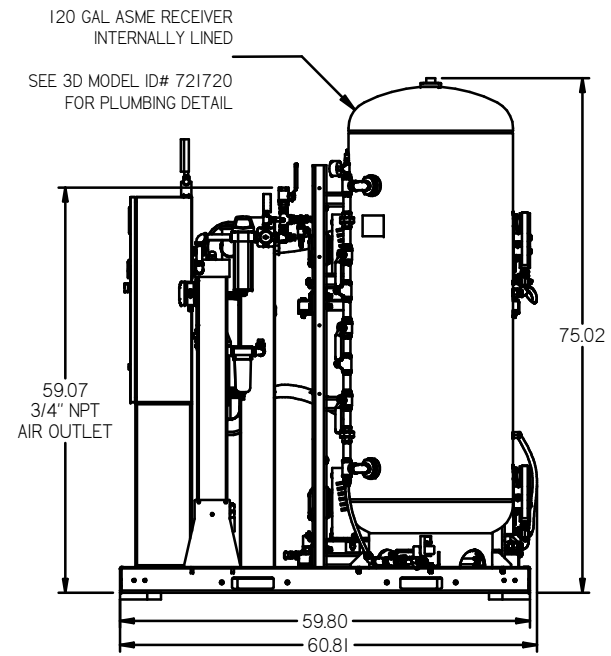
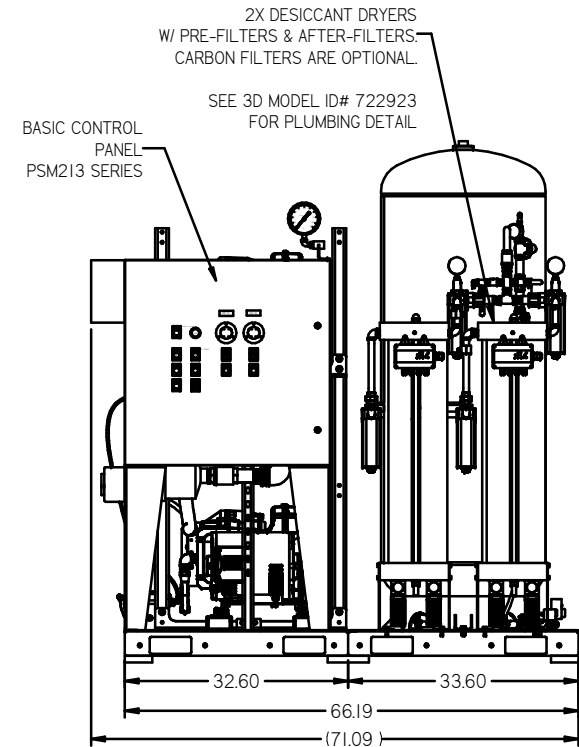


REV	ZONE	REVISION	DATE	ECN	NAME	QWID
1	ALL	RELEASE TO PRODUCTION	01/29/15	000001	JBE	DMS
2	ALL	WAVE 1 REDESIGN - SMALLER FOOTPRINT	2/24/15	PIEC0057	JBE	DMS
3	1 ALL 1 ALL 2 CB	ADDED PRESSURE GAUGE TO BASIC BUILD LAYOUT ADDED ISO PADS CORRECTED PUMP SWY LOCATION	8/11/15	PIEC0093	AEK	GES
4	2 ALL	CORRECTED FLEX HOSE	02/04/16	PIEC0142	MJD	GES
5	2 ALL	CORRECTED SEPARATOR DRAIN LINES	04/05/16	PIEC0139	MJD	GES
6	2 ALL 1 ALL 1 ALL	ADDED NOTE TO REMAIN SEPARATOR FLOAT ADDED OUTLINE FOR RECOMMENDED CLEARANCES UPDATED INLET TREE	01/11/17	PIEC0167	MJD	GES
7	ALL	CHANGED TO TREAT DRIVERS NORTON TAIL UPDATED TO TEAM CENTER	8/23/19	PIEC020209	GES	MHH



MINIMUM RECOMMENDED ELECTRICAL PANEL CLEARANCE PER OSHA/NEC REQUIREMENTS

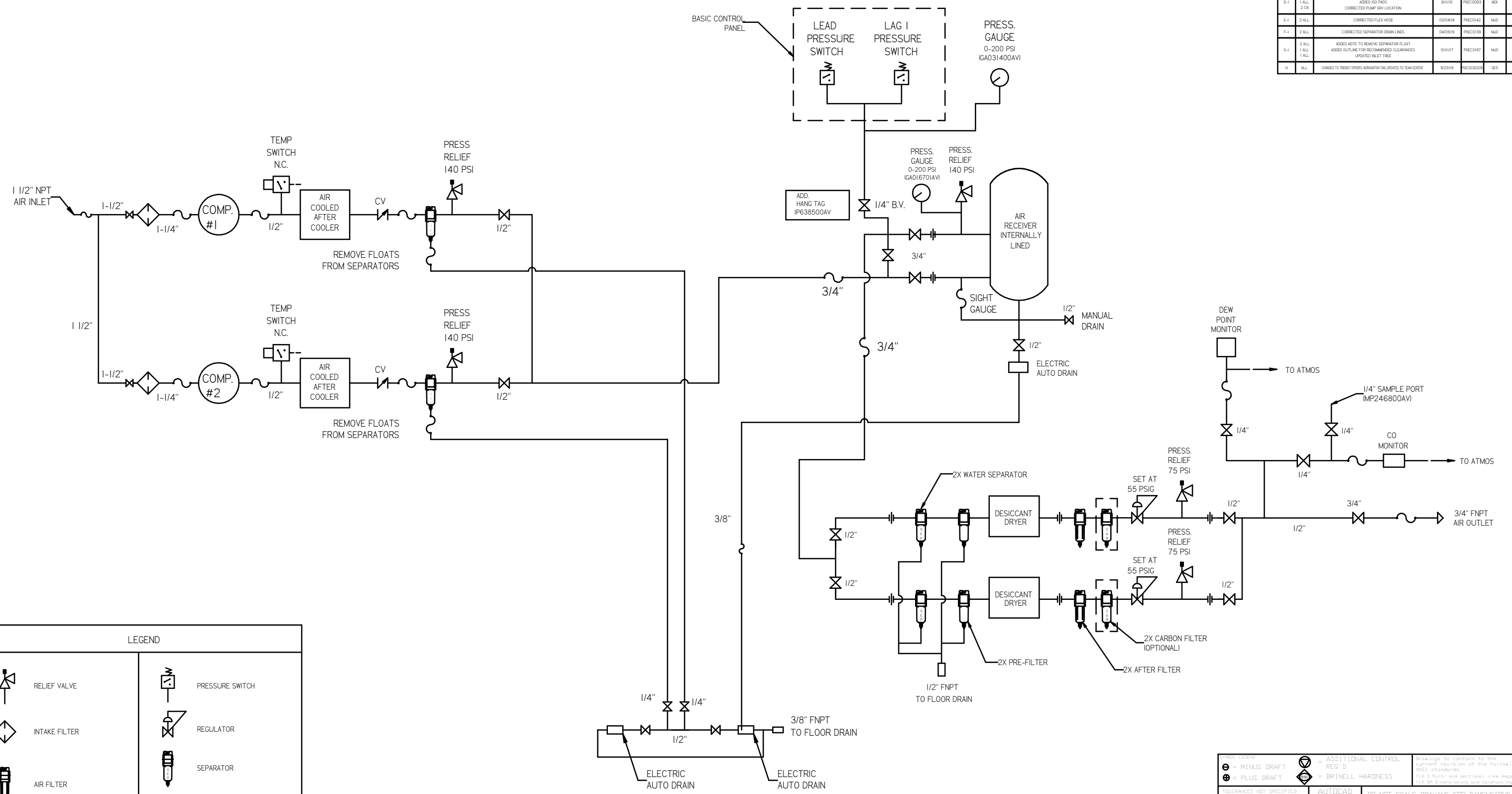
24" MINIMUM RECOMMENDED MAINTENANCE CLEARANCE



NOTE: SYSTEM DESIGNED IN COMPLIANCE WITH US NFPA'99, LATEST EDITION.

SYMBOL LEGEND ⊖ MINUS DRAFT ⊕ PLUS DRAFT TOLERANCES NOT SPECIFIED XX ± .005 XXX ± .010 Z (REG.) ± .015	= ADDITIONAL CONTROL REQ'D = BRINELL HARDNESS AUTOCAD REL2000 INCH	Drawings to conform to the current revision of the following ASME standards: Y14.3 Multi and sectional view steps Y14.5 Dimensioning and tolerancing
DO NOT SCALE DRAWING FOR DIMENSIONS Sheet 1 of 2 SCALE 1:14	CONFIDENTIAL DISCLOSURE This drawing is the property of POWEREX, INC. of the SCOTT FETZER COMPANY and subject to return on demand. Its contents are confidential and must not be copied or submitted to outside parties for use or inspection.	DRAWN BY: JBE CHECKED BY: AEK APPROVED BY: JA DATE: 01/29/15 DATE: 1/29/15 DATE: 1/29/15 DATE: 01/29/15
MATERIAL: N/A PART NAME: DUPLEX OILLESS SCROLL 7.5HP, 120GAL. BASEMOUNT DUPLEX DESICCANT DWG NO: MSD0754 SIZE: D		

REV	ZONE	REVISION	DATE	ECN	NAME	CHKD
0-1	ALL	RELEASE TO PRODUCTION	01/29/15	PREC0057	AEK	DMS
G-1	ALL	WAVE 1 REDESIGN - SMALLER FOOTPRINT	2/24/15	PREC0057	JBE	DMS
D-1	1 ALL 2 CR	ADDED PRESSURE GAUGE TO BASIC BUILD LAYOUT ADDED ISO PIPS CORRECTED PUMP SVY LOCATION	8/11/15	PREC0093	AEK	GES
E-1	2 ALL	CORRECTED FLEX HOSE	03/04/16	PREC0142	MD	GES
F-1	2 ALL	CORRECTED SEPARATOR DRAIN LINES	04/05/16	PREC0139	MD	GES
G-1	2 ALL 1 ALL	ADDED NOTE TO REMOVE SEPARATOR FLOAT ADDED OUTLINE FOR RECOMMENDED CLEARANCES UPDATED INLET TREE	01/11/17	PREC0167	MD	GES
H	ALL	OWNED TO TREAT (SHEETS) HORIZONTAL TALK (SHEET) TO TEAM OWNER	8/23/19	PREC03039	GES	MMH



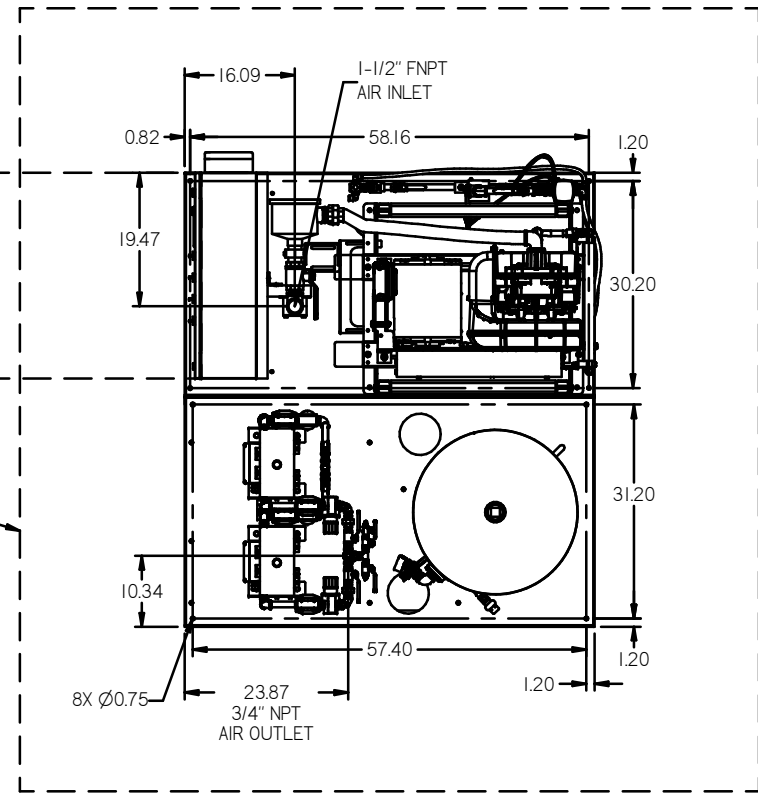
**LEGEND**

	RELIEF VALVE		PRESSURE SWITCH
	INTAKE FILTER		REGULATOR
	AIR FILTER		SEPARATOR
	3 WAY VALVE		CHECK VALVE
	CARBON FILTER		FLEX LINE
	BALL VALVE		HIGH TEMP SWITCH
			UNION

**NOTES:**  
 1) IF LAG I COMPRESSOR IS ENERGIZED ALARM WILL OCCUR.  
 2) PIPING TO THE INLET BY OTHERS AND TO BE PER NFPA99 4-3.1.1.9(b)  
 3) INSTRUMENTS DOWN STREAM OF SOURCE VALVE TO BE SUPPLIED BY OTHERS.

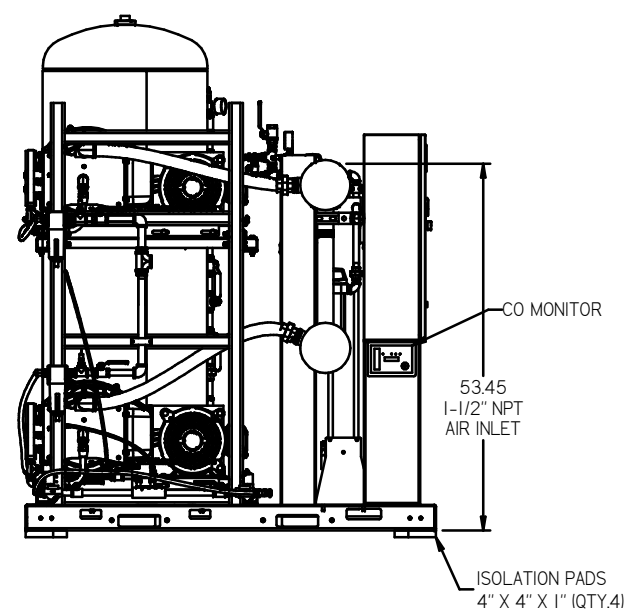
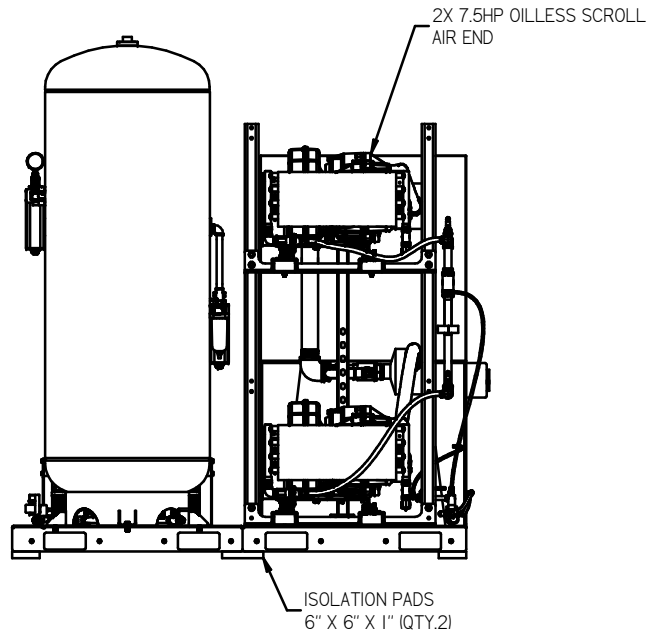
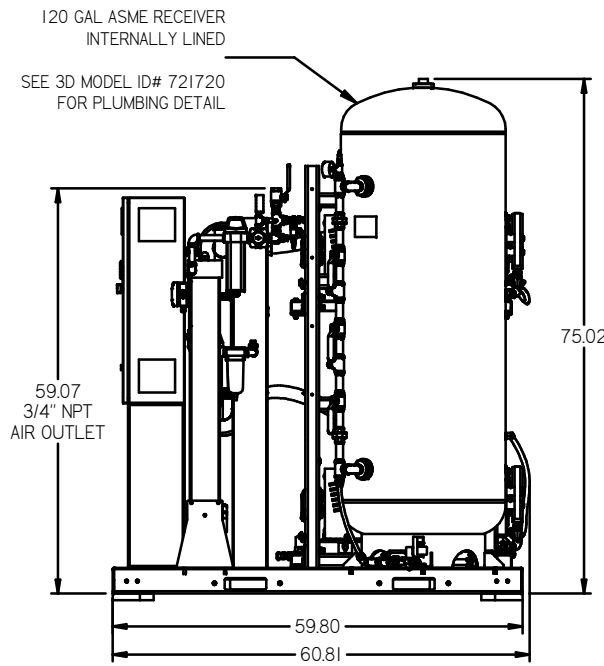
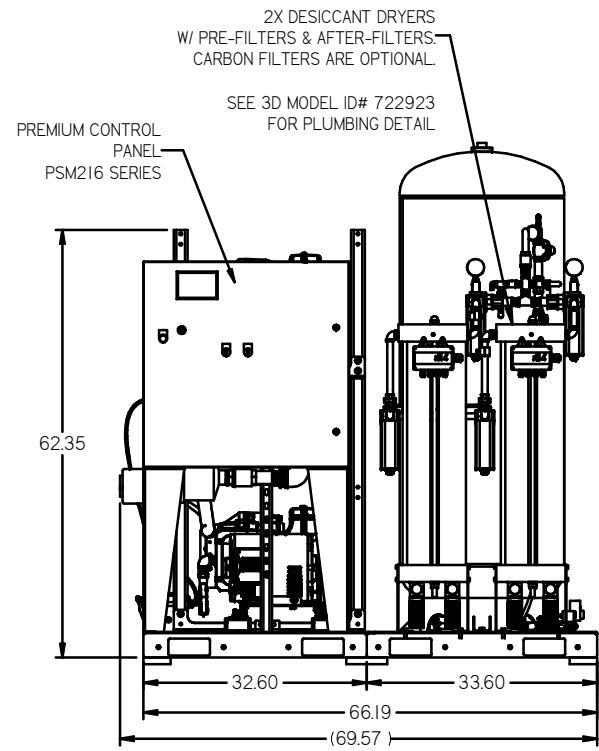
<p><b>MINUS DRAFT</b></p> <p><b>PLUS DRAFT</b></p> <p><b>ADDITIONAL CONTROL REQ'D</b></p> <p><b>BRINELL HARDNESS</b></p>	<p>DO NOT SCALE DRAWING FOR DIMENSIONS</p> <p>AUTOCAD REL2000</p> <p>INCH</p> <p>Sheet 2 of 2</p> <p>SCALE 1:14</p>
<p><b>CONFIDENTIAL DISCLOSURE</b></p> <p>This drawing is the property of POWEREX, INC. of the SCOTT FETZER COMPANY and subject to return on demand. Its contents are confidential and must not be copied or submitted to outside parties for use or reproduction.</p>	<p><b>POWEREX</b></p> <p>7.5HP SCROLL DUPLEX FLOW SCHEMATIC</p> <p>DWG NO MSD0754</p> <p>SIZE D</p>
<p><b>TOLERANCES NOT SPECIFIED</b></p> <p>XX ±</p> <p>XX ±</p> <p>XX ±</p>	<p>DRN BY JBE</p> <p>CHEK BY AEK</p> <p>PROV BY JA</p> <p>APP'D BY CT</p> <p>01/29/15 1/29/15 1/29/15 1/29/15</p>

REV	ZONE	REVISION	DATE	ECN	NAME	CHKD
B-1	ALL	RELEASE TO PRODUCTION	01/29/15		AEK	DMB
C-1	ALL	WAVE 1 REDESIGN - SMALLER FOOTPRINT	02/04/15		JBE	DMB
D-1	1 ALL 2 CR	ADDED PRESSURE GAUGE TO BASIC BUILD LAYOUT ADDED ISO PADS CORRECTED PUMP SW LOCATION	01/11/15		AEK	GES
E-1	2 ALL	CORRECTED FLEX HOSE	02/04/16		MJD	GES
F-1	2 ALL	CORRECTED SEPARATOR DRAIN LINES	04/05/16		MJD	GES
G-1	2 ALL 1 ALL	ADDED NOTE TO REMOVE SEPARATOR FLOAT ADDED OUTLINE FOR RECOMMENDED CLEARANCES UPDATED INLET TREE	01/01/17		MJD	GES
H	ALL	CHANGED TO TIGHT DRESS NORDENTON IN UPDATED TO TOW CENTER	02/23/19		GES	MW



MINIMUM RECOMMENDED ELECTRICAL PANEL CLEARANCE PER OSHA/NEC REQUIREMENTS

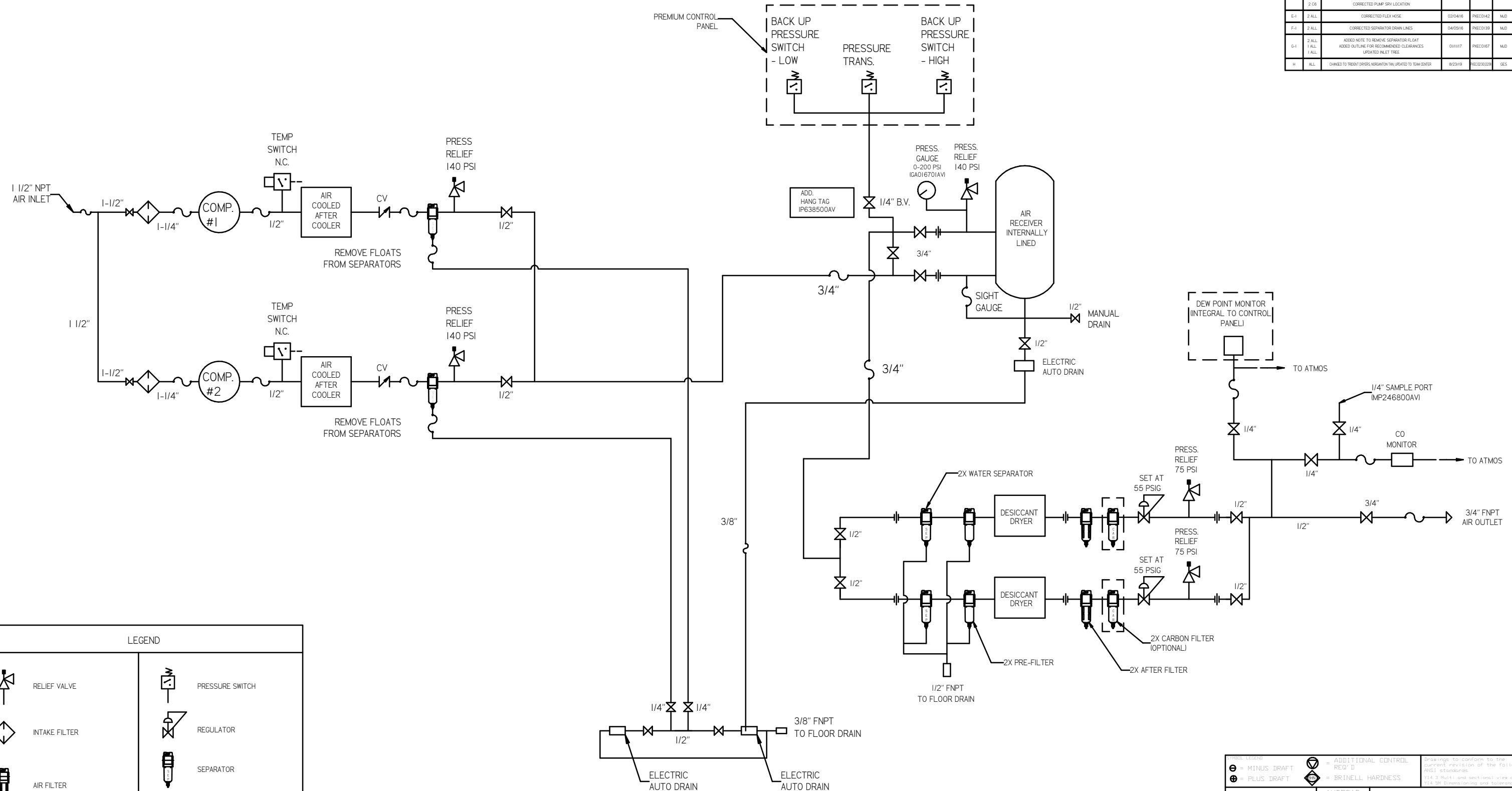
24" MINIMUM RECOMMENDED MAINTENANCE CLEARANCE



NOTE: SYSTEM DESIGNED IN COMPLIANCE WITH US NFPA'99, LATEST EDITION.

MINUS DRAFT PLUS DRAFT TOLERANCES NOT SPECIFIED XX ± XXX ± XXX ±	ADDITIONAL CONTROL REQ'D BRINELL HARDNESS AUTOCAD REL2000 INCH CONFIDENTIAL DISCLOSURE This drawing is the property of POWEREX, INC. or the SCOTT FETTER COMPANY and subject to return on demand. Its contents are confidential and must not be copied or submitted to outside parties for use or examination.	Drawings to conform to the current revision of the following ANSI standards: Y14.3 Multipart and optional view dep Y14.5M Dimensioning and tolerancing
DO NOT SCALE DRAWING FOR DIMENSIONS Sheet 1 of 2 SCALE 1:14 DRAWN BY: JBE CHECKED BY: AEK APPROVED BY: JA CT 01/29/15 1/29/15 1/29/15 01/29/15		
MATERIAL: N/A PART NAME: DUPLEX OILLESS SCROLL 7.5HP, 120GAL. BASEMOUNT PXMI DUPLEX DESICCANT DWG NO: MSD0754 SIZE: D		

REV	ZONE	REVISION	DATE	ECN	NAME	CHKD
B-	ALL	RELIEVED TO PRODUCT ECU	11/29/15		JBE	DMS
C-1	ALL	WAVE 1 REDESIGN - SMALLER FOOTPRINT	2/24/15		JBE	DMS
D-1	1 ALL	ADDED PRESSURE GAUGE TO BUGE BUILD LAYOUT	8/11/15		AEK	GES
D-1	2 CB	ADDED ISO PADS CORRECTED PLAMP SRV LOCATION				
E-1	2 ALL	CORRECTED FLEX HOSE	02/04/16		MJD	GES
F-1	2 ALL	CORRECTED SEPARATOR DRAIN LINES	04/05/16		MJD	GES
G-1	1 ALL	ADDED NOTE TO REMOVE SEPARATOR FLOAT	01/11/17		MJD	GES
G-1	1 ALL	ADDED OUTLINE FOR RECOMMENDED CLEARANCES UPDATED INLET TREE				
H	ALL	CHANGED TO TRENTRY DRIVES, NORGATOR IN UPDATED TO TEAM CENTER	8/23/19		GES	MH



LEGEND

	RELIEF VALVE		PRESSURE SWITCH
	INTAKE FILTER		REGULATOR
	AIR FILTER		SEPARATOR
	3 WAY VALVE		CHECK VALVE
	CARBON FILTER		FLEX LINE
	BALL VALVE		HIGH TEMP SWITCH
			UNION

NOTES:  
 1) IF LAG 1 COMPRESSOR IS ENERGIZED ALARM WILL OCCUR.  
 2) PIPING TO THE INLET BY OTHERS AND TO BE PER NFPA99 4-3.1.1.9(b)  
 3) INSTRUMENTS DOWN STREAM OF SOURCE VALVE TO BE SUPPLIED BY OTHERS.

TOLERANCES NOT SPECIFIED .XX ± .XX ± .XXX ±	AUTOCAD REL2000	DO NOT SCALE DRAWING FOR DIMENSIONS Sheet 2 of 2 SCALE 1:14
CONFIDENTIAL DISCLOSURE This drawing is the property of POWEREX, INC. of the SCOTT FETZER COMPANY and subject to return on demand. Its contents are confidential and must not be copied or submitted to outside parties for use or examination.		DRAWN BY: JBE CHECKED BY: AEK APPROVED BY: JA DATE: 01/29/15, 1/29/15, 1/29/15, 1/29/15
MATERIAL: N/A		
PART NAME: 7.5HP SCROLL DUPLEX FLOW SCHEMATIC		DWG NO: MSD0754 SIZE: D