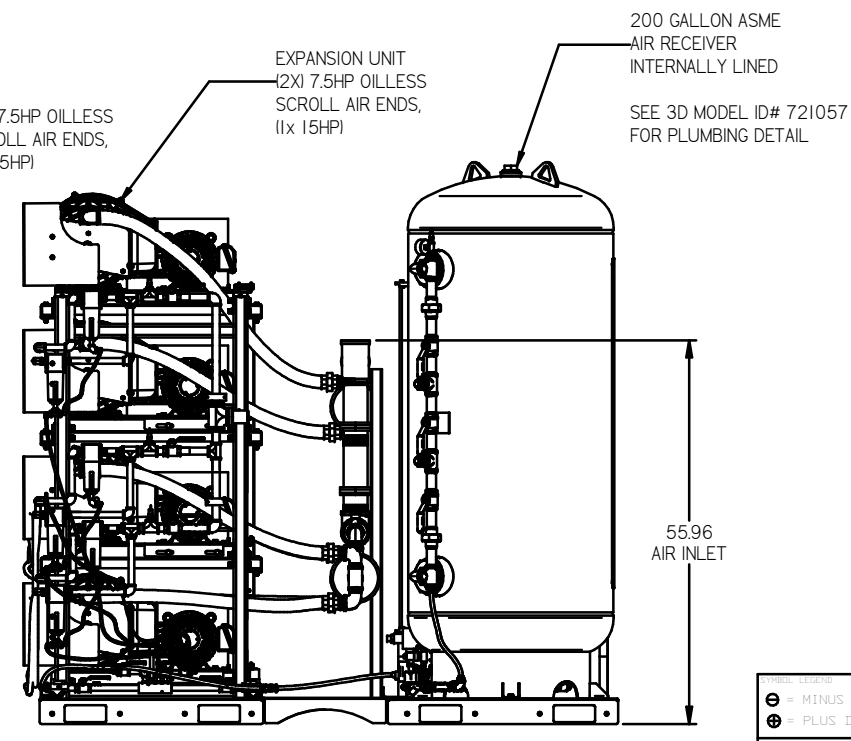
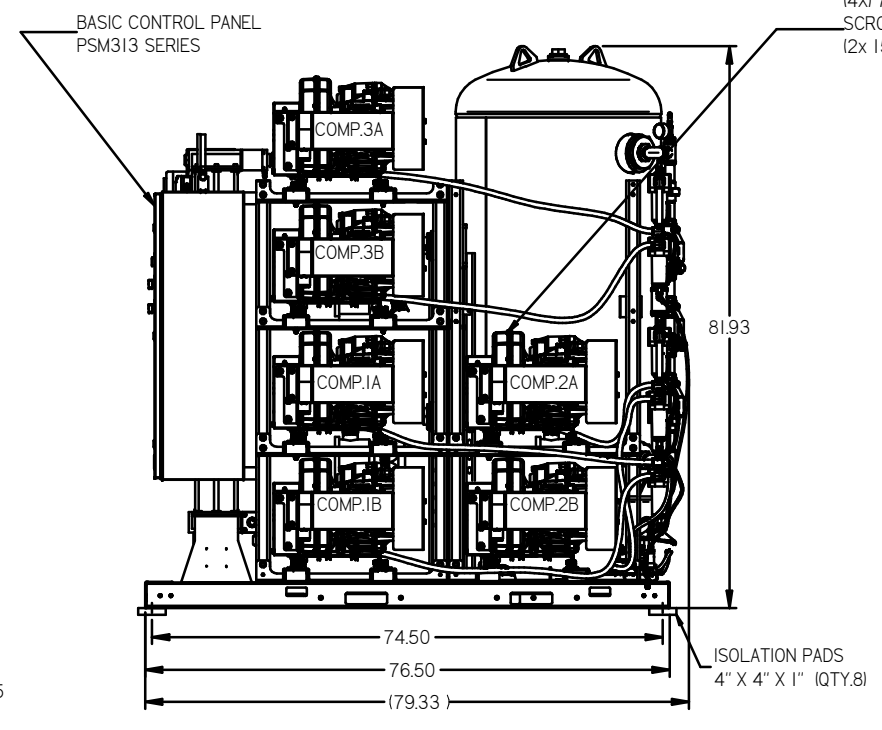
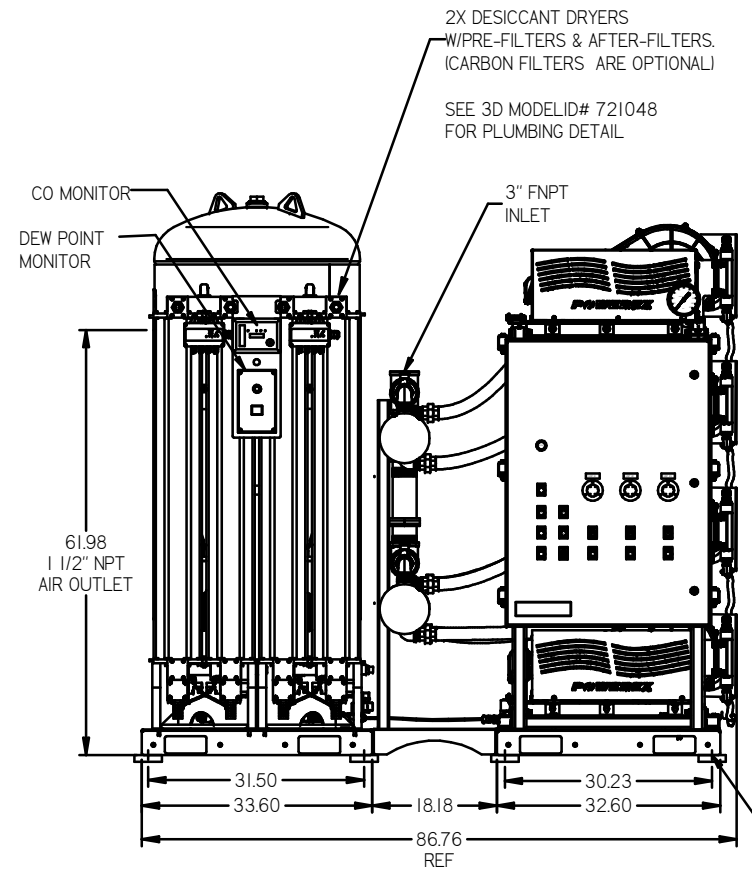
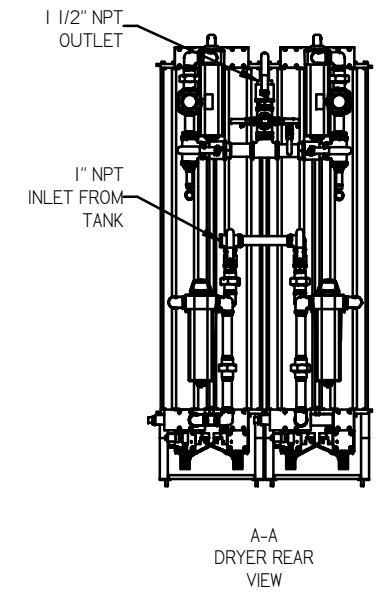
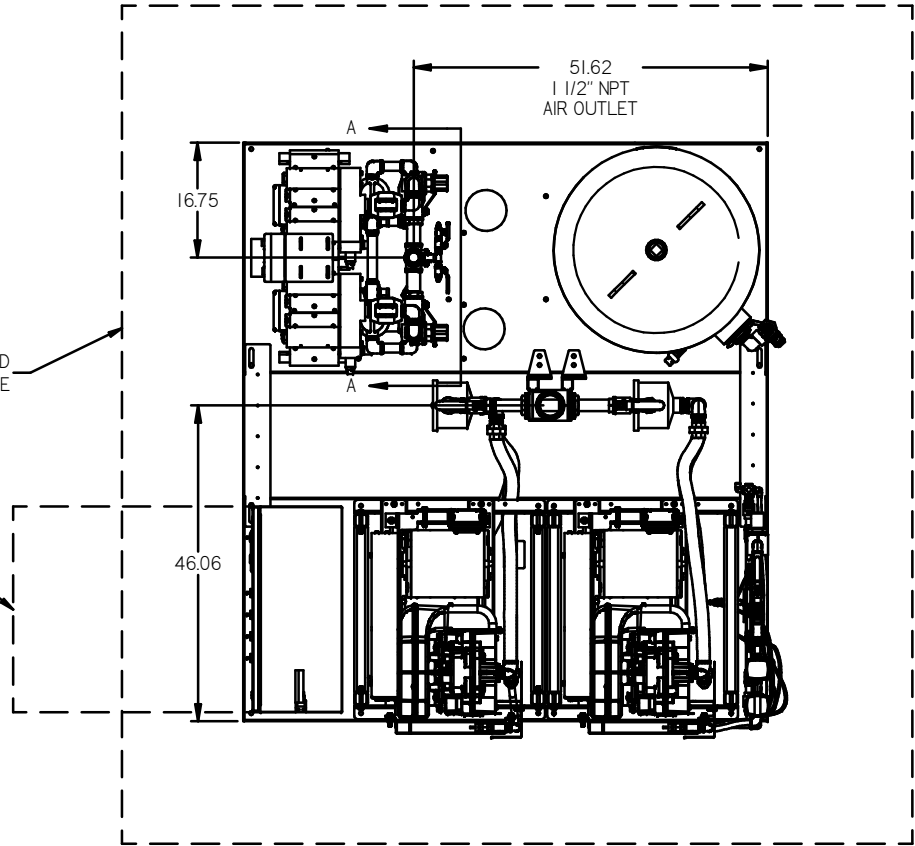


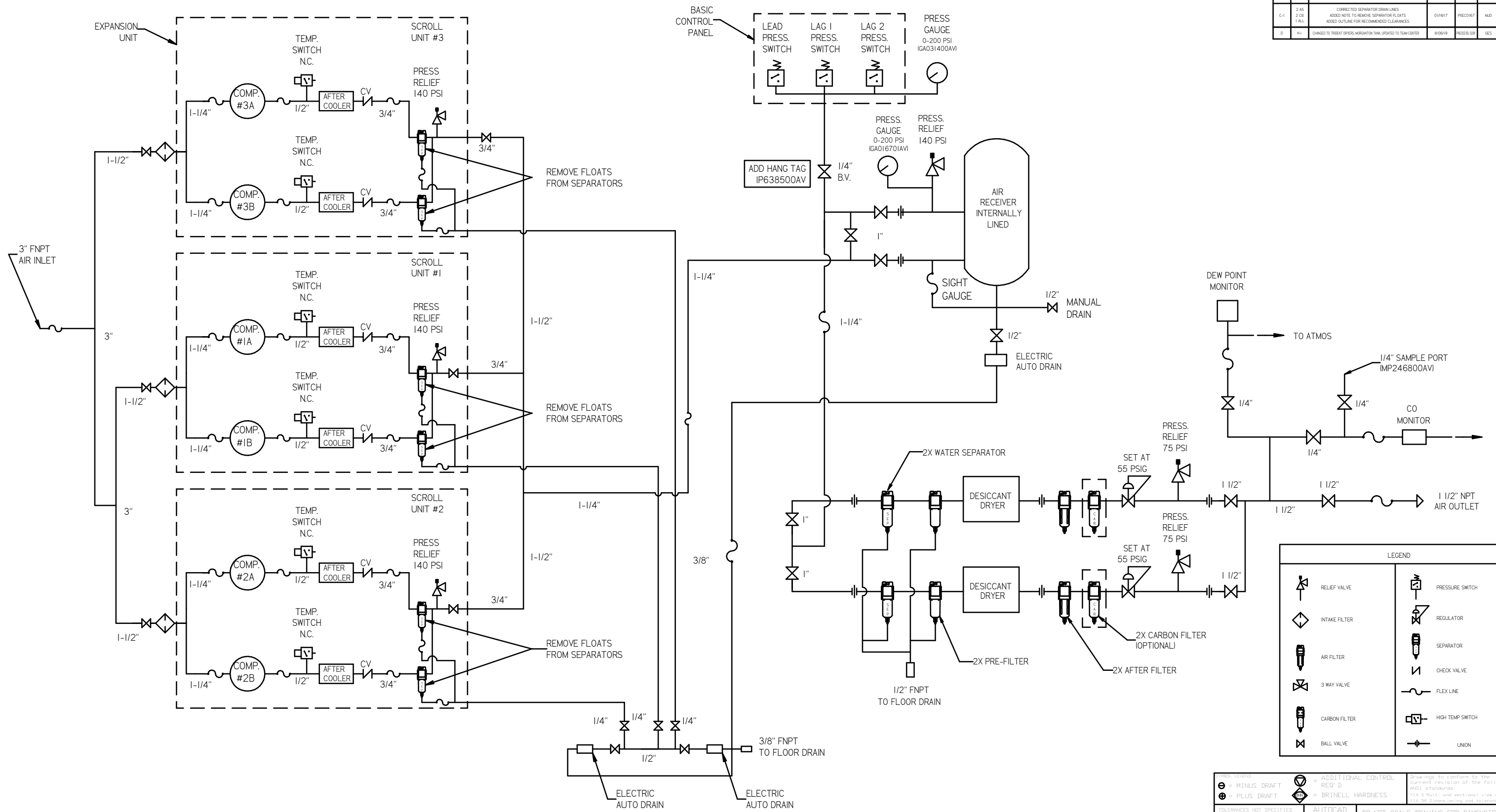
REV	ZONE	REVISION	DATE	ECN	NAME	CHKD
B-	ALL	RELEASED TO PRODUCT USE	2/9/16	PRE0016	AEK	GES
C-1	2 AS 2 CB 1 ALL	CORRECTED SEPARATOR DRAIN LINES ADDED NOTE TO REMOVE SEPARATOR FLOATS ADDED OUTLINE FOR RECOMMENDED CLEARANCES	01/06/17	PRE00167	MJD	GES
D	ALL	CHANGED TO TREAT DRYER, WASHINGTON TANK, UPDATED TO TEAM CENTER	8/06/19	PRE00109	GES	MAH



NOTE: SYSTEM DESIGNED IN
COMPLIANCE WITH US NFPA'99,
LATEST EDITION.

UNLESS SPECIFIED		DO NOT SCALE DRAWING FOR DIMENSIONS	
⊖ = MINUS DRAFT	⊕ = PLUS DRAFT	AUTOCAD REL2014 L1	Sheet 1 of 2
⊕ = ADDITIONAL CONTROL REQ'D	⊕ = BRINELL HARDNESS	INCH	SCALE 1:14
TOLERANCES NOT SPECIFIED		DRAWING TO CONFORM TO THE CURRENT REVISION OF THE FOLLOWING ANSI STANDARDS: Y14.3 Multi and sectional view dgs Y14.5 Dimensioning and tolerancing	
CONFIDENTIAL DISCLOSURE This drawing is the property of POWEREX, INC. or the SCOTT FETZER COMPANY and subject to return on demand. The contents are confidential and must not be copied or submitted to outside parties for use or examination.		DRWN BY AEK	CHECKED BY GES
MATERIAL N/A		APPROVED BY KMD	REWORKED BY DFG
PART NAME 15HP SCROLL DUPLEX		DATE 2/9/16	DATE 2/9/16
200GAL EXPANDABLE		DATE 2/9/16	DATE 2/9/16
DWG NO MSD15B5-EX3		SIZE D	

REV	ZONE	REVISION	DATE	ECN	NAME	DRW
B-1	FULL	RELEASE FOR PRODUCTION	2/9/16		AEK	GES
C-1	2-6	CORRECTED SEPARATOR DRAIN LINES ADDED NOTE TO REMOVE SEPARATOR FLOATS ADDED OUTLINE FOR RECOMMENDED CLEARANCES	01/16/17		PREC067	MJD
D	FULL	CHANGED TO PRESENT ORDER MORGANTON TANK, UPDATED TO TEAM CENTER	8/06/19		PREC02129	GES

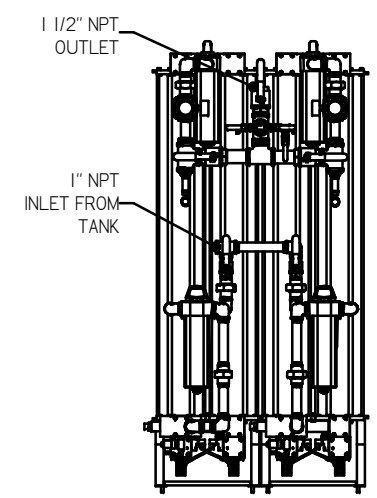
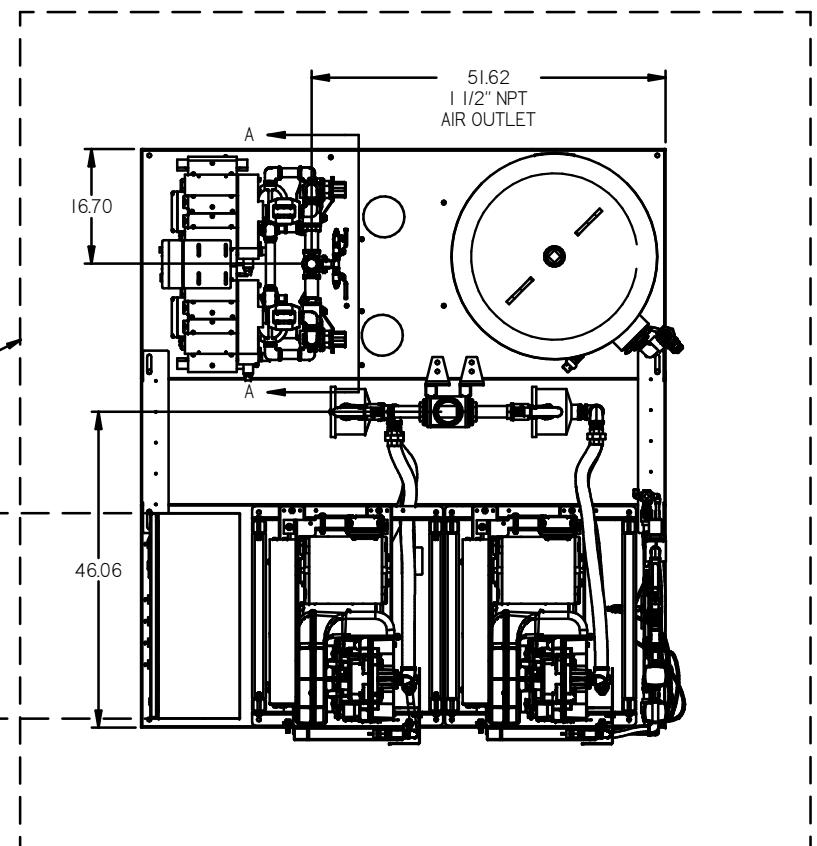


	RELIEF VALVE		PRESSURE SWITCH
	INTAKE FILTER		REGULATOR
	AIR FILTER		SEPARATOR
	3 WAY VALVE		CHECK VALVE
	CARBON FILTER		FLEX LINE
	BALL VALVE		HIGH TEMP SWITCH
			UNION

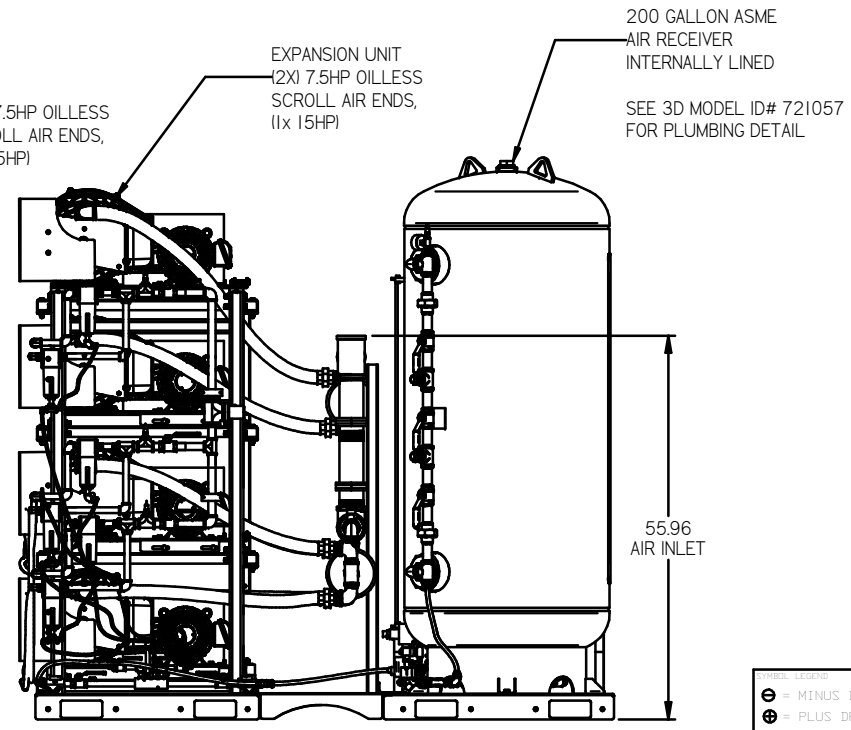
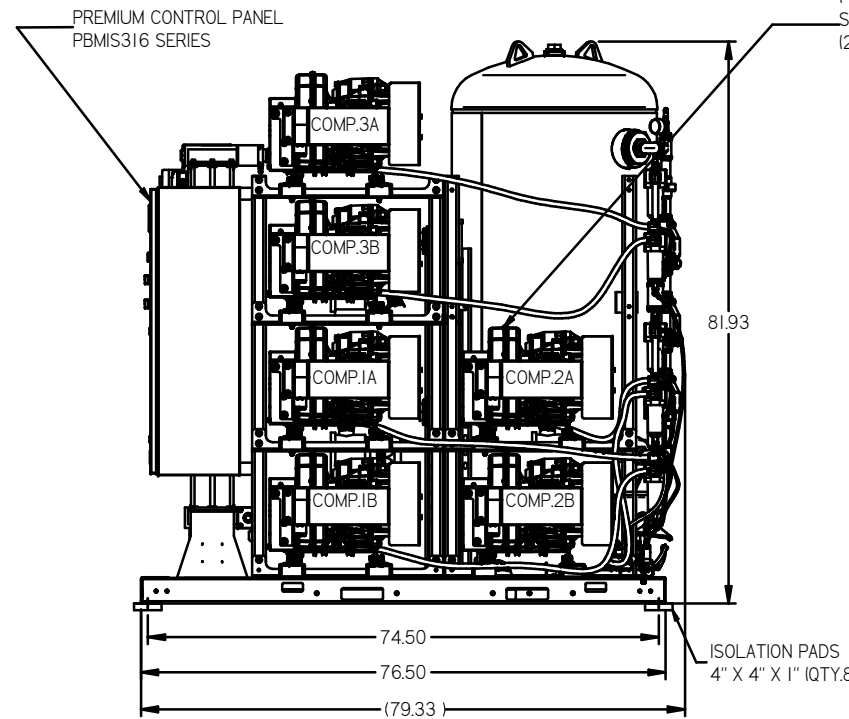
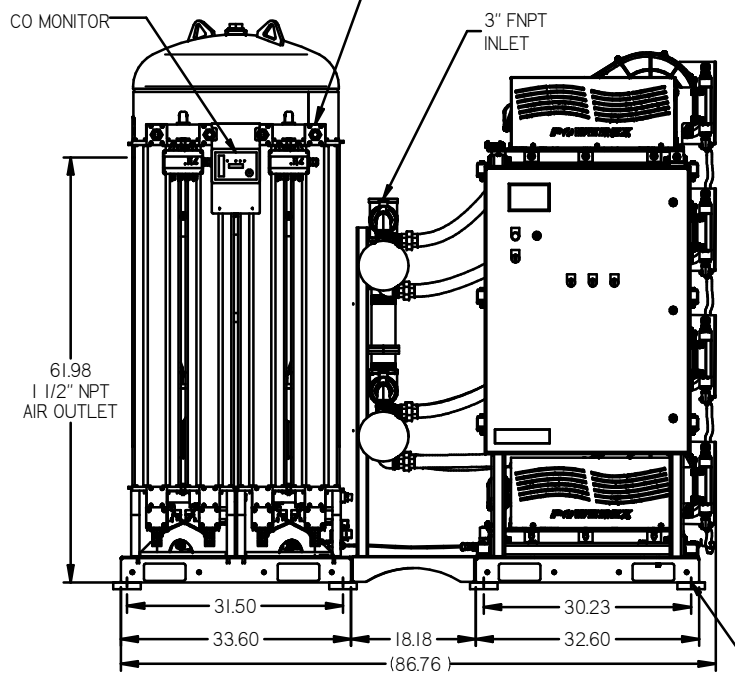
- NOTES
- 1) WITHOUT EXPANSION: IF LAG 1 COMPRESSOR IS ENERGIZED, ALARM WILL OCCUR.
WITH EXPANSION: IF LAG 2 COMPRESSOR IS ENERGIZED, ALARM WILL OCCUR.
 - 2) PIPING TO THE INLET BY OTHERS AND TO BE PER NFPA99 4-3.1.1.9(b)
 - 3) INSTRUMENTS DOWN STREAM OF SOURCE VALVE TO BE SUPPLIED BY OTHERS.

<p>MINUS DRAFT</p> <p>PLUS DRAFT</p> <p>ADDITIONAL CONTROL REQ'D</p> <p>BRINELL HARDNESS</p>	<p>AUTOCAD REL2014 LT</p> <p>INCH</p> <p>DO NOT SCALE DRAWING FOR DIMENSIONS</p> <p>Sheet 2 of 2</p> <p>SCALE 1:14</p>
<p>TOLERANCES NOT SPECIFIED</p> <p>XX ±</p> <p>XXX ±</p> <p>4 DEC: 1:1</p>	<p>CONFIDENTIAL DISCLOSURE</p> <p>This drawing is the property of POWEREX, INC. of the SCOTT FETZER COMPANY and subject to return on demand. Its contents are confidential and must not be copied or submitted to outside parties for use or reproduction.</p> <p>MATERIAL: N/A</p> <p>PART NAME: SCROLL DUPLEX EXP FLOW SCHEMATIC</p> <p>DRW NO: MSD15B5-EX3</p> <p>SIZE: D</p>
<p>DATE</p> <p>2/9/16</p> <p>2/9/16</p> <p>2/9/16</p> <p>2/9/16</p>	<p>BY</p> <p>AEK</p> <p>GES</p> <p>KMD</p> <p>DFG</p> <p>POWEREX</p>

REV	ZONE	REVISION	DATE	ECN	NAME	CHKD
B-1	ALL	RELEASE TO PRODUCT ID#	2/9/16	PREC138	AEK	GES
C-1	2 AS 2 CB 1 ALL	CORRECTED SEPARATOR DRAIN LINES ADDED NOTE TO REMOVE SEPARATOR FLOATS ADDED OUTLINE FOR RECOMMENDED CLEARANCES	01/01/17	PREC017	MJD	GES
D	ALL	CHANGED TO TREAT SPECIFIC APPLICATION TANK, UPDATED TO TOW CENTER	8/06/19	PREC028	GES	MW



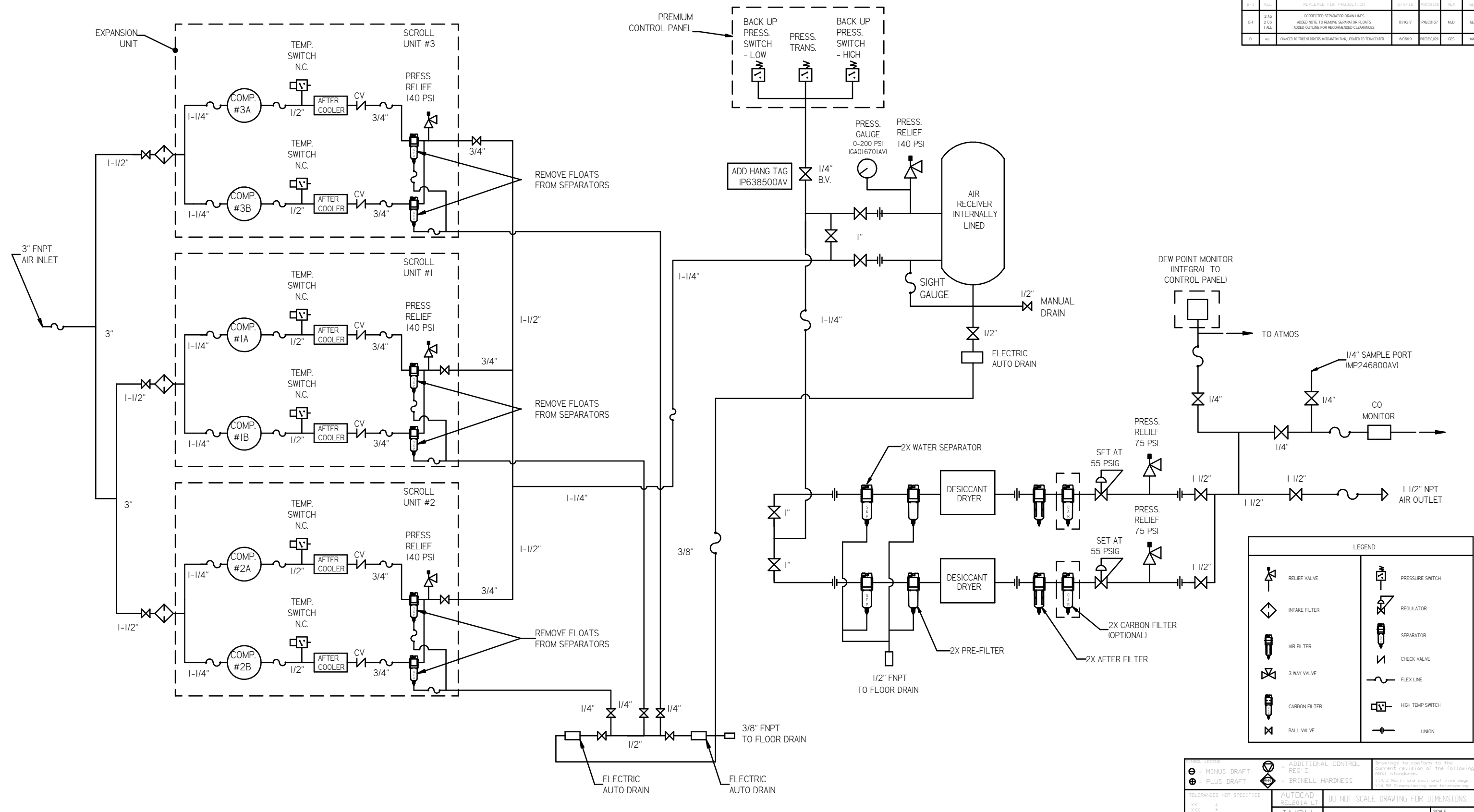
2X DESICCANT DRYERS
W/PRE-FILTERS & AFTER-FILTERS.
(CARBON FILTERS ARE OPTIONAL)
SEE 3D MODEL# 721048
FOR PLUMBING DETAIL



NOTE: SYSTEM DESIGNED IN
COMPLIANCE WITH US NFPA'99,
LATEST EDITION.

DIMENSIONS NOT SPECIFIED XX ± XXX ± < DEG. > ±	AUTOCAD REL 2014 LT INCH	DO NOT SCALE DRAWING FOR DIMENSIONS Sheet 1 of 2 SCALE 1:14
CONFIDENTIAL DISCLOSURE This drawing is the property of POWEREX and/or its SCOTT FETZER COMPANY and subject to return on demand. Its contents are confidential and must not be copied or admitted to outside parties for use or reproduction.	DRAWN BY AEK	CHECKED BY GES
MATERIAL N/A	DATE 2/9/16	DATE 2/9/16
PART NAME 15HP SCROLL DUPLEX 200GAL EXPANDABLE		
DWG NO. MSD15B5-EX3	SIZE D	

REV	ZONE	REVISION	DATE	ECN	NAME	CHKD
1	ALL	RELEASED FOR PRODUCTION	02/09/16		AEK	GES
2	2 AS	CORRECTED SEPARATOR DRAW LINES	01/06/17		KMD	GES
3	2 OR	ADDED NOTE TO REMOVE SEPARATOR FLOATS				
4	1 ALL	ADDED OUTLINE FOR RECOMMENDED CLEARANCES				
D	ALL	CHANGED TO TROUBLE SHOOTING WORKFLOW, UPDATED TO TOW CENTER	03/06/19		MSD	MSH



LEGEND	
	RELIEF VALVE
	INTAKE FILTER
	AIR FILTER
	3 WAY VALVE
	CARBON FILTER
	BALL VALVE
	PRESSURE SWITCH
	REGULATOR
	SEPARATOR
	CHECK VALVE
	FLEX LINE
	HIGH TEMP SWITCH
	UNION

- NOTES:
- 1) WITHOUT EXPANSION: IF LAG 1 COMPRESSOR IS ENERGIZED, ALARM WILL OCCUR. WITH EXPANSION: IF LAG 2 COMPRESSOR IS ENERGIZED, ALARM WILL OCCUR.
 - 2) PIPING TO THE INLET BY OTHERS AND TO BE PER NFPA99 4-3.1.1.9(b)
 - 3) INSTRUMENTS DOWN STREAM OF SOURCE VALVE TO BE SUPPLIED BY OTHERS.

TOLERANCES NOT SPECIFIED XX ± XXX ± \angle (DEG.) ±	AUTOCAD REL:014.LT INCH	DO NOT SCALE DRAWING FOR DIMENSIONS Sheet 2 of 2 SCALE 1:14
CONFIDENTIAL / PROPRIETARY This drawing is the property of POWEREX, Inc. or the SCOTT FETZER COMPANY and is subject to return on demand. Its contents are confidential and must not be copied or submitted to outside parties for use or reproduction.	DRAWN BY AEK	CHECKED BY GES
MATERIAL N/A	DATE 2/9/16	DATE 2/9/16
PART NAME SCROLL DUPLEX EXP FLOW SCHEMATIC		DATE 2/9/16
DWG NO MSD15B5-EX3	SIZE D	DATE 2/9/16