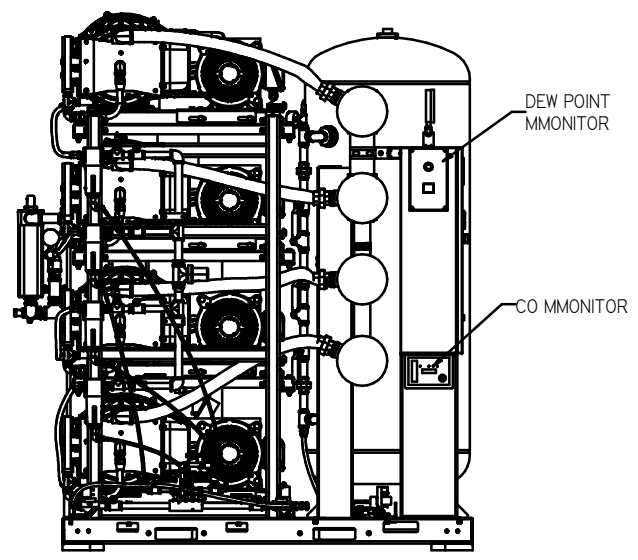
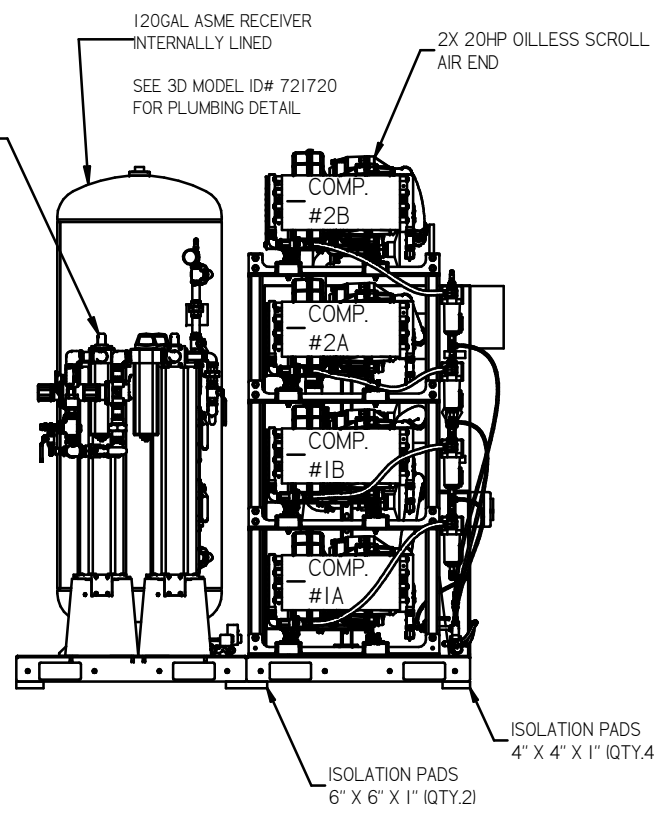
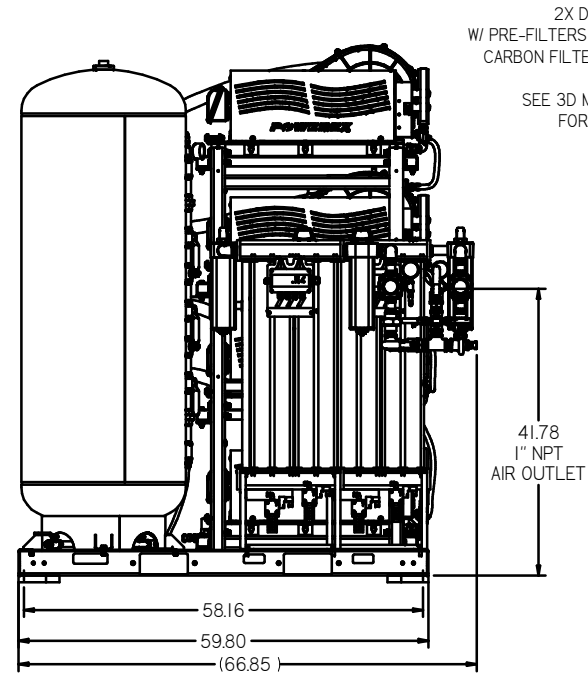
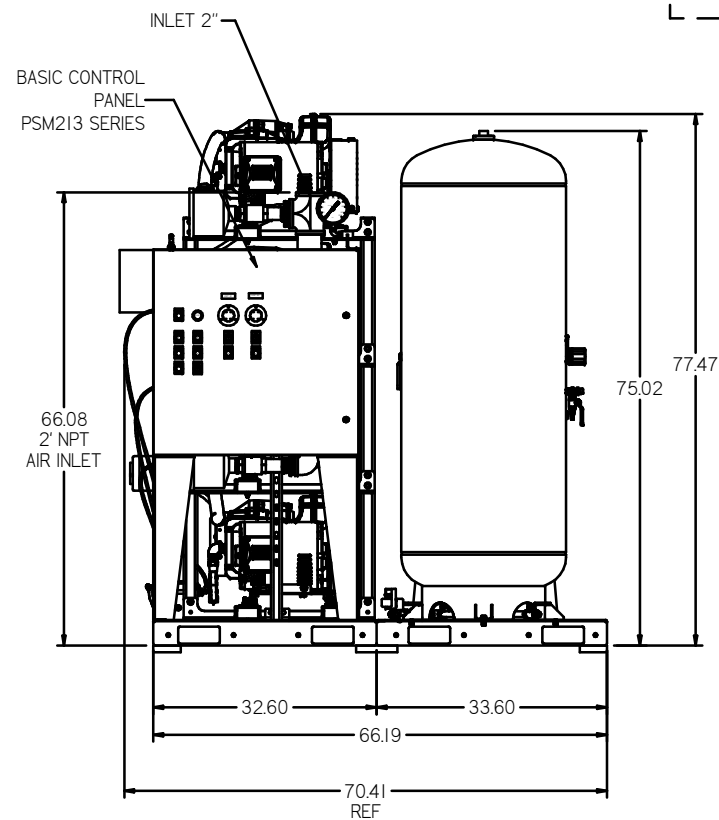
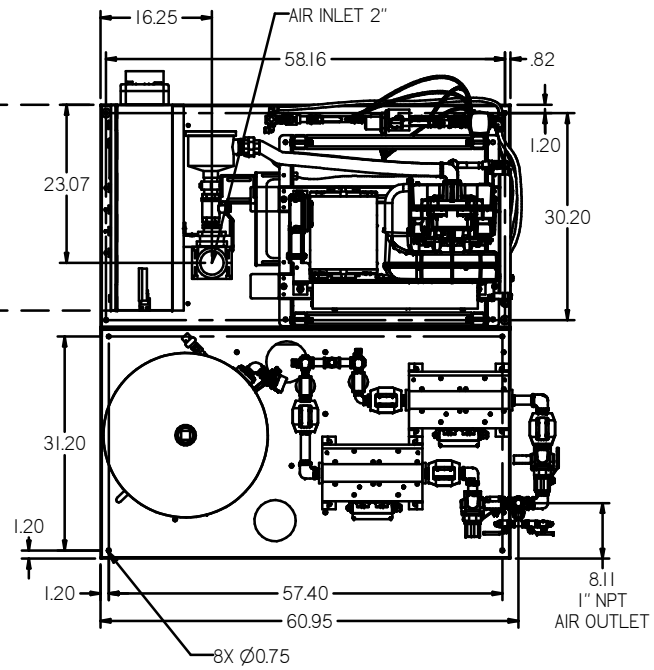


REV	ZONE	REVISION	DATE	ECN	NAME	CHKD
B-1	ALL	RELEASE TO PRODUCTION	2/23/15	PREC055	AEK	DMS
C-1	2 ALL 1 ALL 1 ALL 1 ALL	CORRECTED SEPARATOR DRAIN LINES TO 1/4" ADDED NOTE TO REMOVAL SEPARATOR FLOAT CORRECTED VIEW POSITIONING ADDED OVERALL DIMENSIONS ADDED OUTLINE FOR RECOMMENDED CLEARANCES UPDATED INLET TRIM	01/07	PREC017	MJD	GES
D	ALL	CHANGED TO TREAT DRYERS MORGAN TANK UPDATED TO TQM CENTER	8/08/19	PREC23029	GES	MHH

MINIMUM RECOMMENDED ELECTRICAL PANEL CLEARANCE PER OSHA/NEC REQUIREMENTS

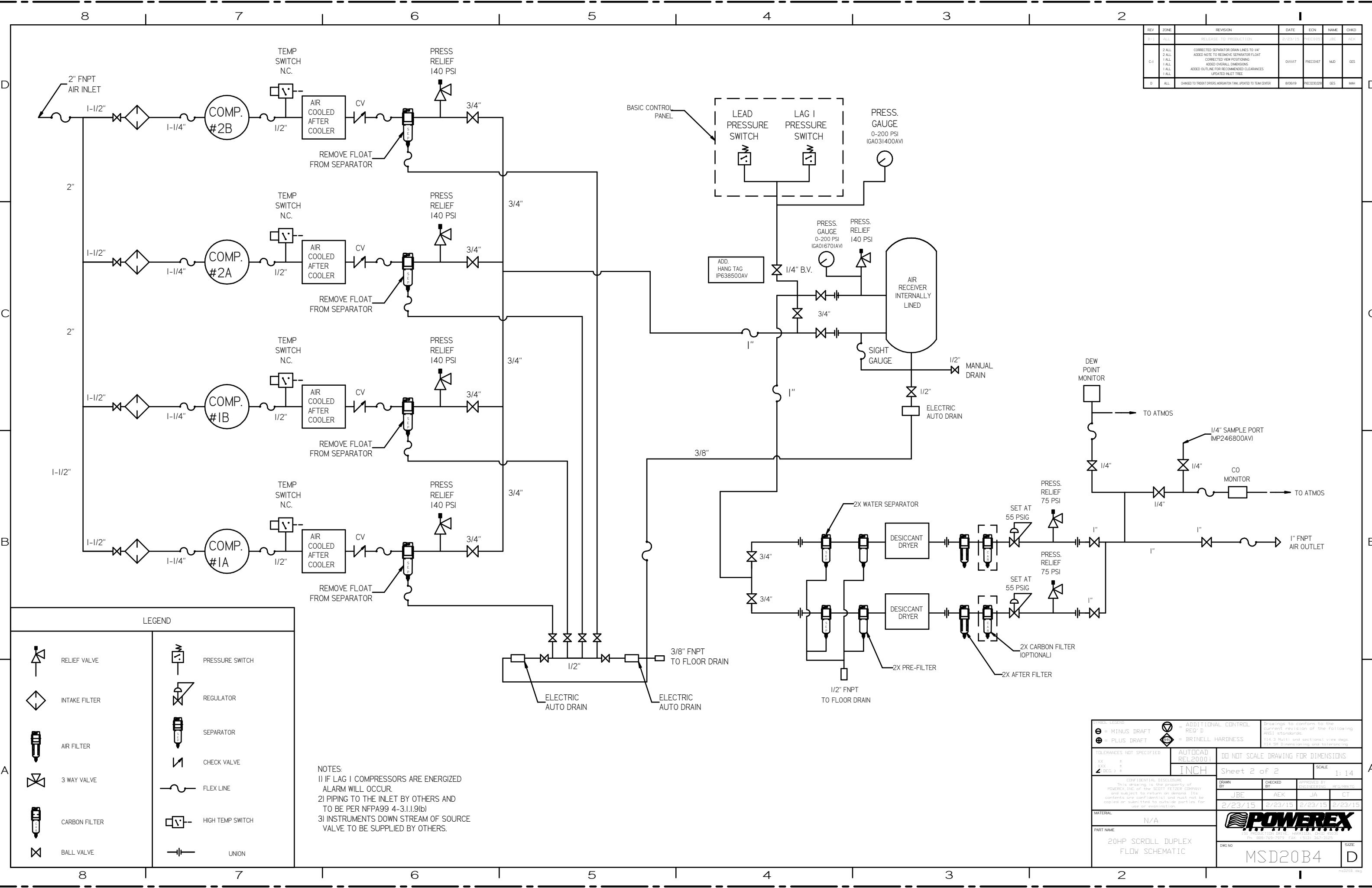
24" MINIMUM RECOMMENDED MAINTENANCE CLEARANCE



NOTE: SYSTEM DESIGNED IN COMPLIANCE WITH US NFPA'99, LATEST EDITION.

MINUS DRAFT PLUS DRAFT AUTOCAD REL2000 DO NOT SCALE DRAWING FOR DIMENSIONS INCH Sheet 1 of 2 SCALE 1:14 DRAWN BY JBE CHECKED BY AEK APPROVED BY JA CT 2/23/15 2/23/15 2/23/15 2/23/15 MATERIAL N/A PART NAME DUPLEX OILLESS SCROLL 20HP, 120GAL, BASEMOUNT DUPLEX DESICCANT DWG NO MSD20B4 SIZE D	ADDITIONAL CONTROL REQ'D BRINELL HARDNESS Drawings to conform to the current revision of the following ANSI standards: Y14.3 Units and section 1 view dep Y14.9M Dimensioning and tolerancing CONFIDENTIAL DISCLOSURE This drawing is the property of POWEREX, INC. or the SCOTT FETZER COMPANY and subject to return on demand. Its contents are confidential and must not be copied or submitted to outside parties for use or reproduction.  800-559-7973 Fax: (513) 367-3100
--	--

REV	ZONE	REVISION	DATE	ECN	NAME	CRKD
1	ALL	RELEASED TO PRODUCTION				
2	ALL	CORRECTED SEPARATOR DRAIN LINES TO 1/4"				
3	ALL	ADDED NOTE TO REMOVE SEPARATOR FLOAT				
4	ALL	CORRECTED NEW POSITIONING				
5	ALL	ADDED OVERALL DIMENSIONS	01/11/17		PRECO167	MJD
6	ALL	ADDED OUTLINE FOR RECOMMENDED CLEARANCES				
7	ALL	UPDATED PALETTE				
8	ALL	CHANGED TO TREAT DRESS MORGANTON TANK UPDATED TO TEAM CENTER	8/28/19		PRECO2020	GES



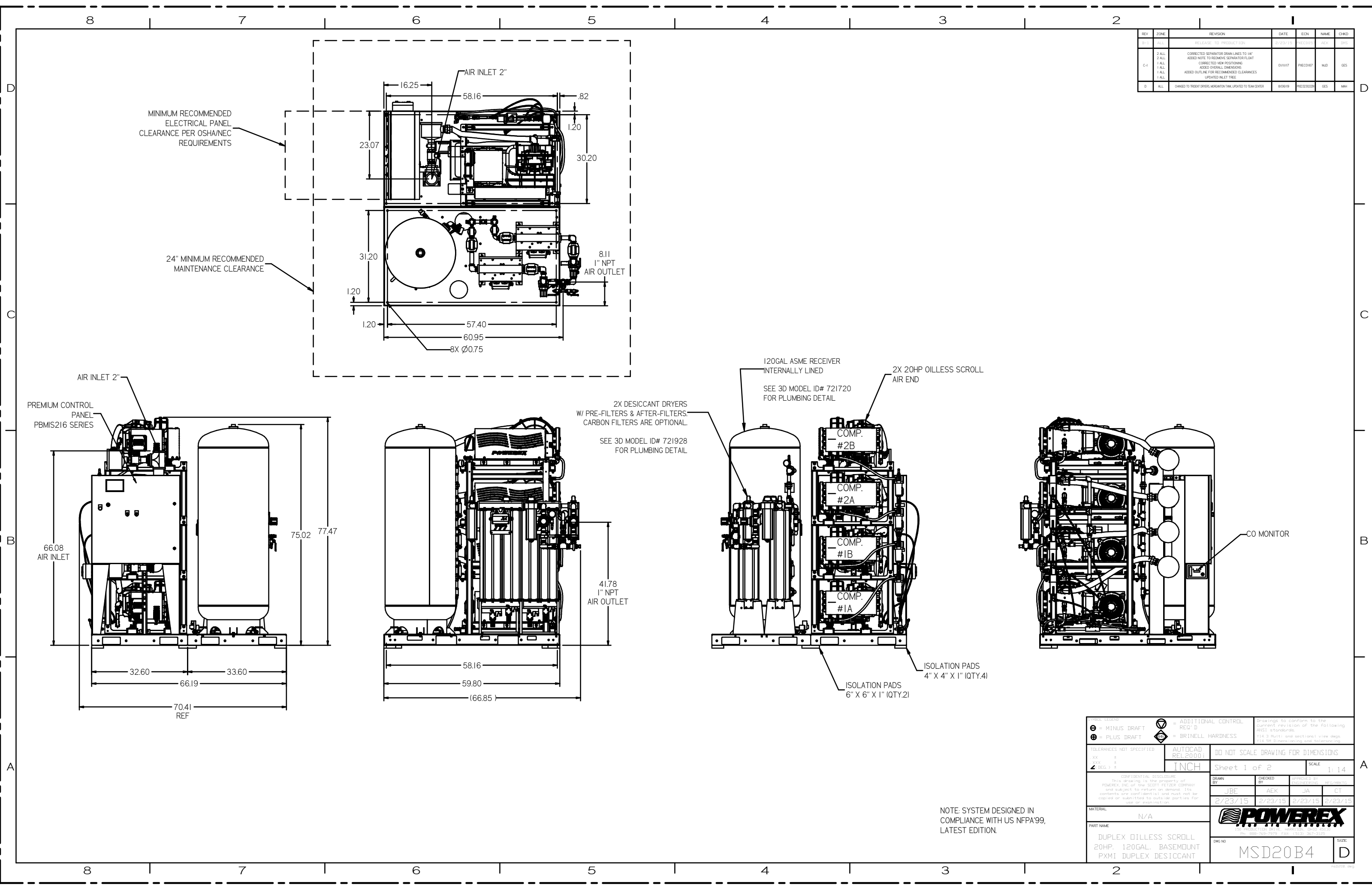
**LEGEND**

	RELIEF VALVE		PRESSURE SWITCH
	INTAKE FILTER		REGULATOR
	AIR FILTER		SEPARATOR
	3 WAY VALVE		CHECK VALVE
	CARBON FILTER		FLEX LINE
	BALL VALVE		HIGH TEMP SWITCH
			UNION

**NOTES:**  
 1) IF LAG 1 COMPRESSORS ARE ENERGIZED ALARM WILL OCCUR.  
 2) PIPING TO THE INLET BY OTHERS AND TO BE PER NFPA99 4-3.1.1.9(b)  
 3) INSTRUMENTS DOWN STREAM OF SOURCE VALVE TO BE SUPPLIED BY OTHERS.

TOLERANCES NOT SPECIFIED XX ± .005 XXX ± .010 XXXX ± .015	AUTOCAD REL2000	DO NOT SCALE DRAWING FOR DIMENSIONS Sheet 2 of 2 SCALE 1:14
CONFIDENTIAL DISCLOSURE This drawing is the property of POWEREX, Inc. or the SCOTT FETZER COMPANY and subject to return on demand. Its contents are confidential and must not be copied or submitted to outside parties for use or reproduction.		
MATERIAL N/A		
PART NAME 20HP SCROLL DUPLEX FLOW SCHEMATIC		Dwg NO MSD20B4

REV	ZONE	REVISION	DATE	ECH	NAME	CHKD
1	ALL	RELEASE TO PRODUCTION	02/23/15		MD	MD
2	ALL	CORRECTED SEPARATOR DRAIN LINES TO 1/4"				
3	ALL	ADDED NOTE TO REMOVE SEPARATOR FLOAT				
4	ALL	CORRECTED WIR POSITIONING				
5	ALL	ADDED OVERALL DIMENSIONS	01/11/17	PRE0167	MD	GES
6	ALL	ADDED OUTLINE FOR RECOMMENDED CLEARANCES				
7	ALL	UPDATED INLET TREE				
8	ALL	CHANGED TO TREAT SYSTEM MAINTENANCE CLEARANCE TO TEAM CENTER	01/09/19	PRE130209	GES	MW



MINIMUM RECOMMENDED ELECTRICAL PANEL CLEARANCE PER OSHA/NEC REQUIREMENTS

24" MINIMUM RECOMMENDED MAINTENANCE CLEARANCE

2X DESICCANT DRYERS W/ PRE-FILTERS & AFTER-FILTERS. CARBON FILTERS ARE OPTIONAL. SEE 3D MODEL ID# 721928 FOR PLUMBING DETAIL

120GAL ASME RECEIVER INTERNALLY LINED. SEE 3D MODEL ID# 721720 FOR PLUMBING DETAIL

2X 20HP OILLESS SCROLL AIR END

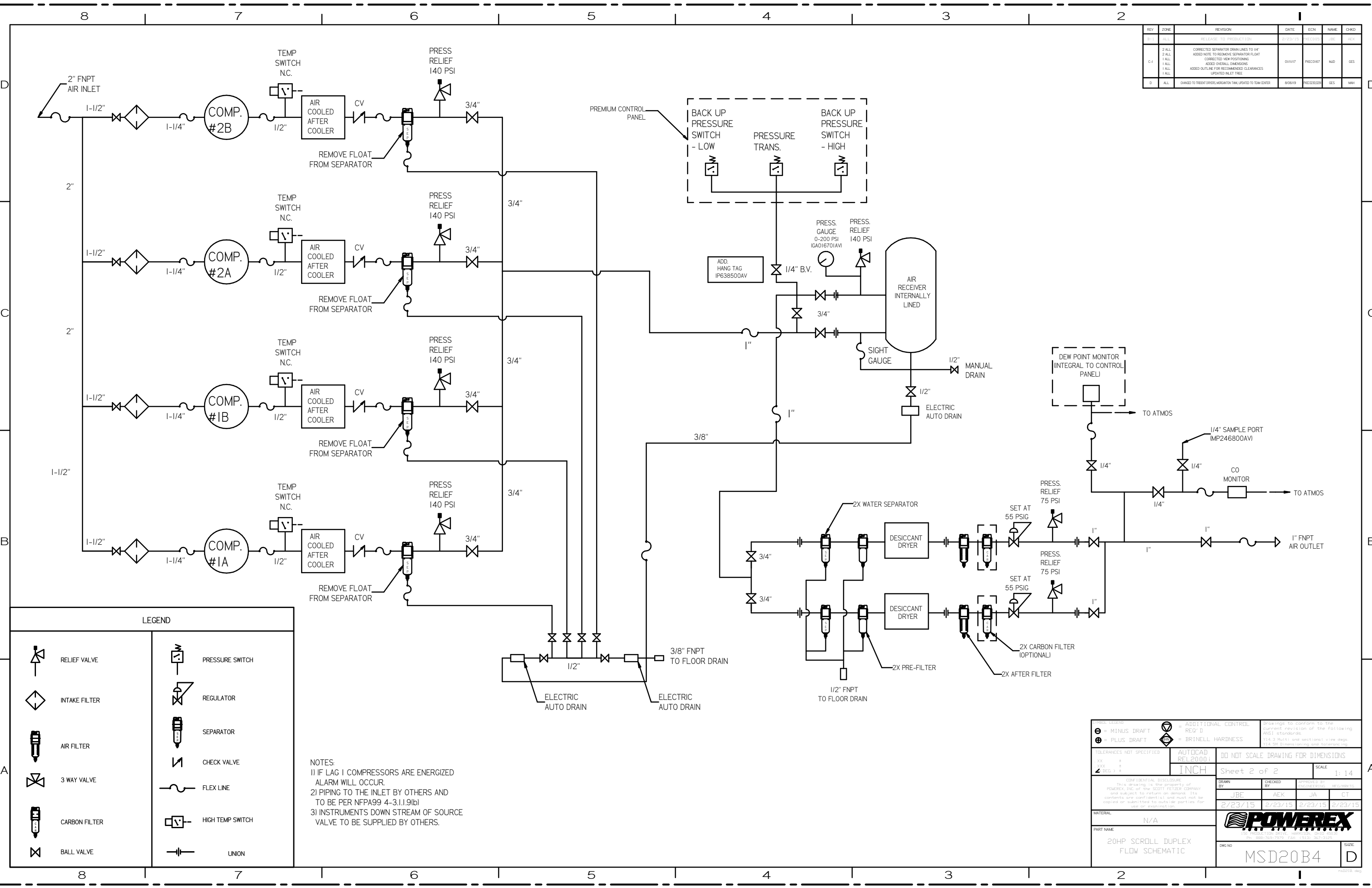
ISOLATION PADS 4" X 4" X 1" (QTY.4)  
ISOLATION PADS 6" X 6" X 1" (QTY.2)

CO MONITOR

NOTE: SYSTEM DESIGNED IN COMPLIANCE WITH US NFPA'99, LATEST EDITION.

<b>SYMBOL LEGEND</b> ⊖ = MINUS DRAFT ⊕ = PLUS DRAFT ⊗ = ADDITIONAL CONTROL REQ'D HRC = BRINELL HARDNESS	Drawings to conform to the current revision of the following ANSI standards: Y14.3 Multi and sectional view dgs. Y14.9 Dimensioning and tolerancing
TOLERANCES NOT SPECIFIED: XX ± .005 XXX ± .0025 4 DEC ± .001	AUTOCAD REL2000 INCH DO NOT SCALE DRAWING FOR DIMENSIONS Sheet 1 of 2 SCALE 1:14
CONFIDENTIAL DISCLOSURE This drawing is the property of POWEREX, INC. of the SCOTT FETZER COMPANY and subject to return on demand. Its contents are confidential and must not be copied or submitted to outside parties for use or examination.	DRWN BY: JBE CHECKED BY: AEK APPROVED BY: JA DATE: 2/23/15 DATE: 2/23/15 DATE: 2/23/15 DATE: 2/23/15
MATERIAL: N/A PART NAME: DUPLEX OILLESS SCROLL 20HP, 120GAL. BASEMOUNT PXMI DUPLEX DESICCANT DWG NO: MSD20B4	 SIZE: D

REV	ZONE	REVISION	DATE	ECN	NAME	CHKD
1	ALL	RELEASED TO PRODUCTION	07/23/15		REC0167	GES
2	ALL	CORRECTED SEPARATOR DRAIN LINES TO 1/4"				
3	ALL	ADDED NOTE TO REMOVE SEPARATOR FLOAT				
4	ALL	CORRECTED NEW POSITIONING				
5	ALL	ADDED OVERALL DIMENSIONS	01/11/17		PRE0167	MJD
6	ALL	ADDED OUTLINE FOR RECOMMENDED CLEARANCES				
7	ALL	UPDATED INLET TREE				
8	ALL	CHANGED TO TREAT PRESS. MORGANTON TANK, UPDATED TO TEAM CENTER	01/06/19		PRE020025	GES



**LEGEND**

	RELIEF VALVE		PRESSURE SWITCH
	INTAKE FILTER		REGULATOR
	AIR FILTER		SEPARATOR
	3 WAY VALVE		CHECK VALVE
	CARBON FILTER		FLEX LINE
	BALL VALVE		HIGH TEMP SWITCH
			UNION

**NOTES**  
 1) IF LAG 1 COMPRESSORS ARE ENERGIZED ALARM WILL OCCUR.  
 2) PIPING TO THE INLET BY OTHERS AND TO BE PER NFPA99 4-3.1.1.9(lb)  
 3) INSTRUMENTS DOWN STREAM OF SOURCE VALVE TO BE SUPPLIED BY OTHERS.

<p><b>MINUS DRAFT</b></p> <p><b>PLUS DRAFT</b></p> <p><b>ADDITIONAL CONTROL REQ'D</b></p> <p><b>BRINELL HARDNESS</b></p>	<p>TOLERANCES NOT SPECIFIED</p> <p>AUTOCAD REL2000</p> <p>INCH</p>	<p>DO NOT SCALE DRAWING FOR DIMENSIONS</p> <p>Sheet 2 of 2</p> <p>SCALE 1:14</p>
<p>CONFIDENTIAL DISCLOSURE: This drawing is the property of POWEREX, INC. of the SCOTT FETZER COMPANY and subject to return or demand. Its contents are confidential and must not be copied or submitted to outside parties for use or examination.</p>		
<p>MATERIAL: N/A</p> <p>PART NAME: 20HP SCROLL DUPLEX FLOW SCHEMATIC</p>		<p>DRW NO: MSD20B4</p> <p>SIZE: D</p>