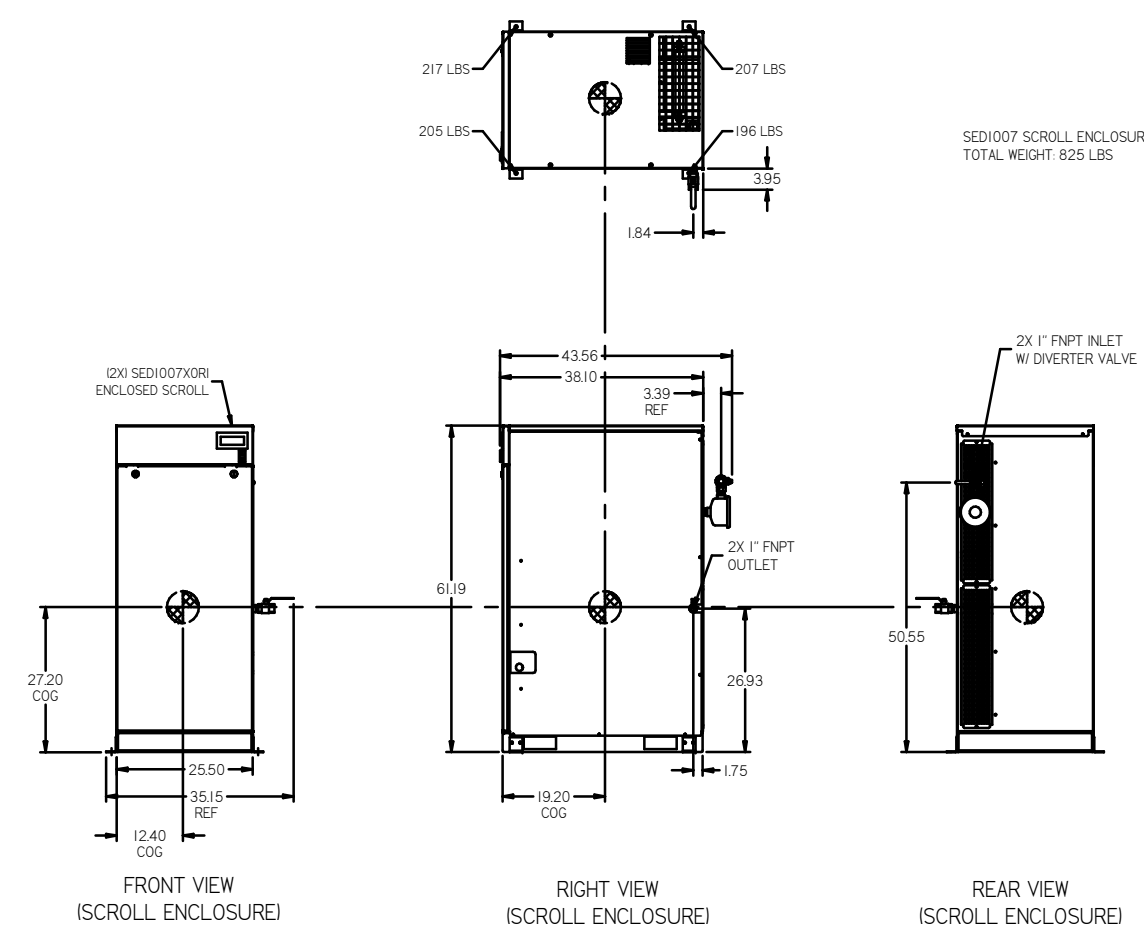
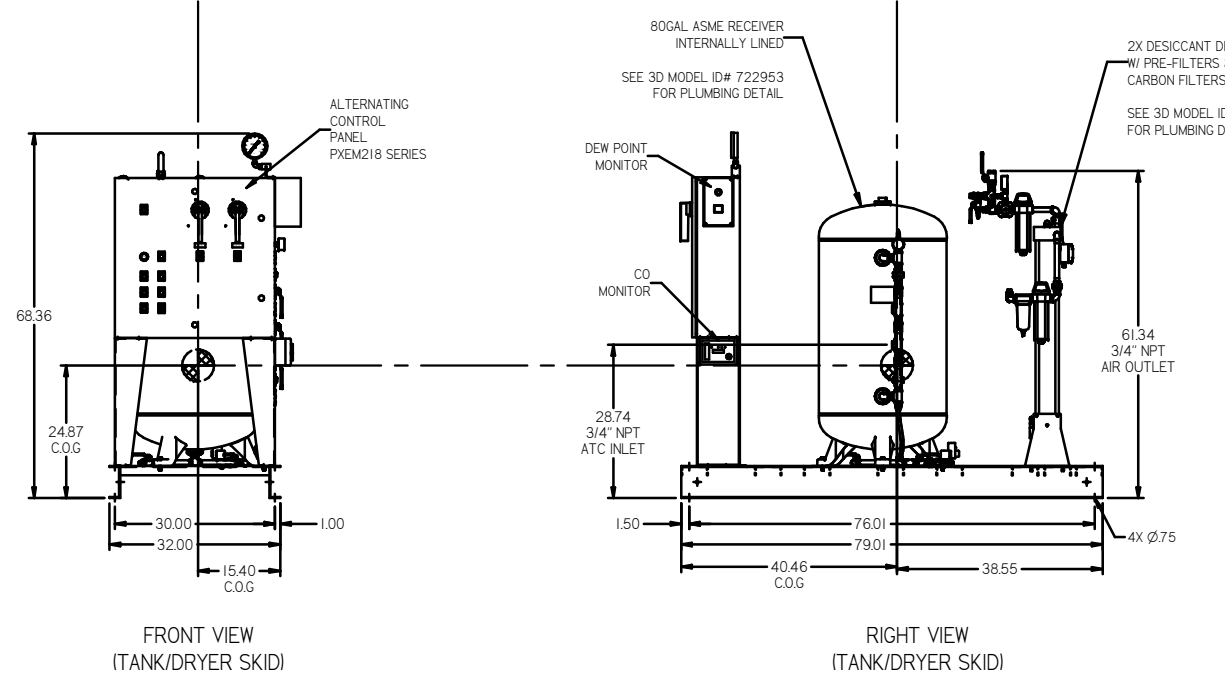
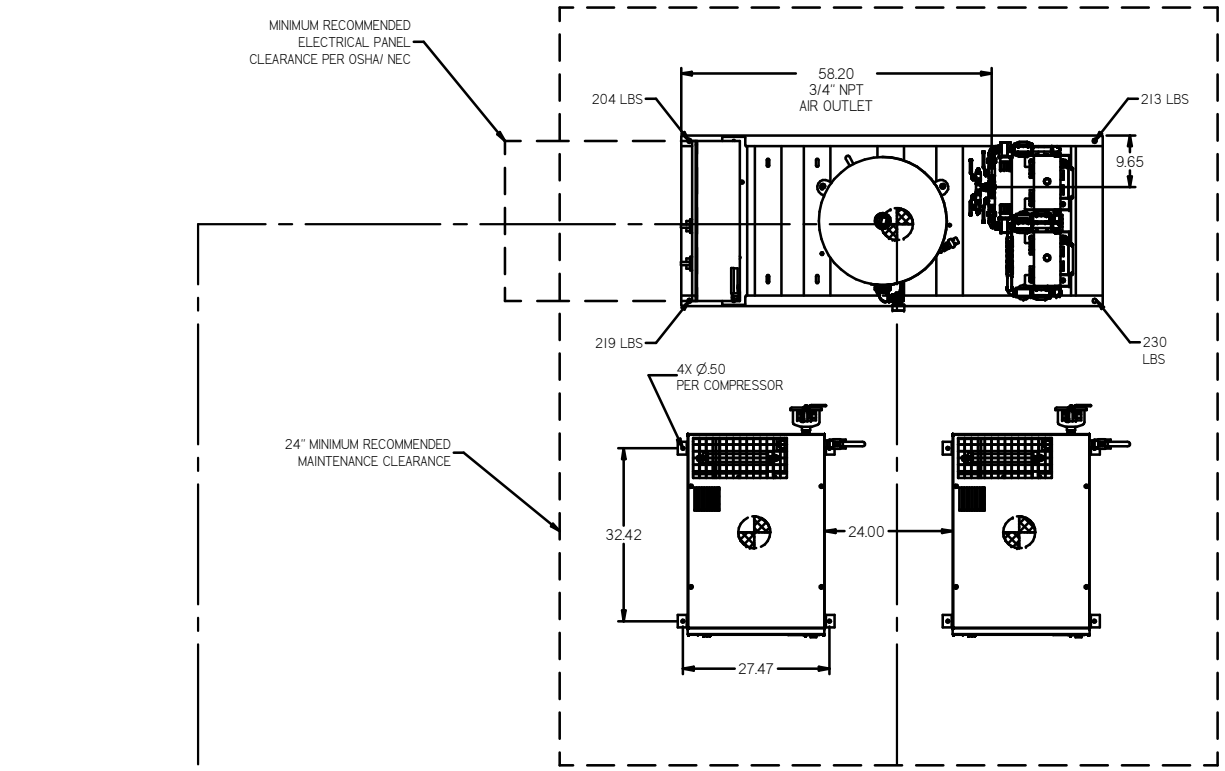


REV	ZONE	REVISION	DATE	ECN	NAME	QWD
B-1	ALL	RELEASE TO PRODUCTION	9/24/07	31660	AEK	GES
C-1	ALL	UPDATED BUILD & FLOW TO CURRENT STANDARD	6/08	21807	AEK	GES
C-2	ALL	CORRECTED AIR INLET ORIENTATION PLUMBING	10/23/08	21807	AEK	GES
D-1	ALL	UPDATED TO NEW POWEREX DRYER	8/19/09	22120	AEK	GES
E-1	ALL	REMOTE INLET CHANGED TO 1 INCH	03/05/10	22345	DMS	GES
F-1	1 ALL	UPDATED TO NEW ENCLOSURE DESIGN	6/18/10	22394	AEK	GES
G-1	2 ALL	UPDATED/ADDED FLEX LINES	10/23/12	PXEC0009	AEK	KMD
H-1	1 ALL	ADDED CENTER OF GRAVITY INFORMATION	9/24/13	PXEC0030	AEK	GES
H-2	2 CS	UPDATED TO CURRENT MASTER CONTROL PANEL				
H-3	1 ALL	ADDED RESERVE PRESSURE SWITCH				
H-4	1 ALL	ADDED ATC INLET LOCATION				
J-1	ALL	ADDED TANK LINING	4/2/10	PXEC0029	GES	MMH
K	ALL	CHANGED TO TREAT DRYER, MORGANTON TANK, UPDATED TO TEAM CENTER	8/26/19	RECD0009	GES	MMH



SEDI007 SCROLL ENCLOSURE
TOTAL WEIGHT: 825 LBS

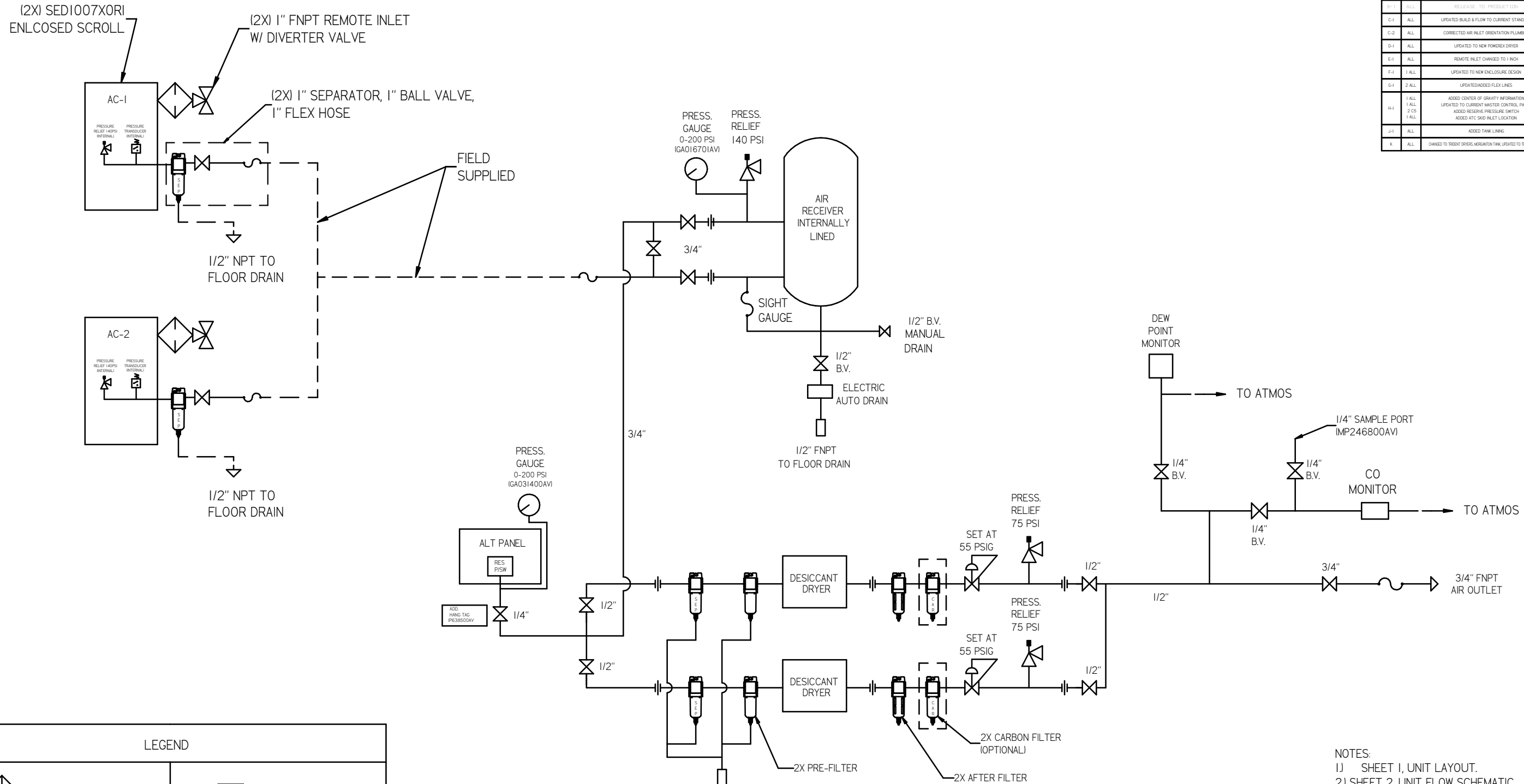
AIR TREATMENT SKID
TOTAL WEIGHT: 866 LBS
C.O.G. DIMENSIONS
X (FRONT): 15.4"
Y (RIGHT): 40.46"
Z (HEIGHT): 24.87"

DENOTES CENTER OF GRAVITY

- NOTES:
1.) SHEET 1, UNIT LAYOUT.
2.) SHEET 2, UNIT FLOW SCHEMATIC.
3.) INLET CONNECTIONS: 1" FNPT X 2.
4.) OUTLET CONNECTION: 3/4" FNPT X 1.
5.) POWER CONNECTION: 1- 208, 230, OR 460 VOLT
6.) WHEN PACKAGE IS INSTALLED INTO THE FACILITY, VERIFY THE INSTALLER REFERENCES TABLE 110.26 (A) (II) FOR MINIMUM WORKING AREA.

TOLERANCES NOT SPECIFIED XX ± XXX ± Z (REF.) ±	AUTOCAD REL2008 LT	DO NOT SCALE DRAWING FOR DIMENSIONS Sheet 1 of 2 SCALE 1:18
CONFIDENTIAL DISCLOSURE This drawing is the property of POWEREX, INC. of the SCOTT FETZER COMPANY and subject to return on demand. The contents are confidential and must not be copied or submitted to outside parties for use or examination.	DRAWN BY AEK	CHECKED BY GES
MATERIAL N/A	PART NAME MEDICAL ENCL SCROLL DUPLEX 10HP 80G DD	
	DWG NO MSED100	SIZE D

REV	ZONE	REVISION	DATE	ECN	NAME	CHKD
B-1	ALL	RELEASE TO PRODUCT CDN	9/24/07	21660	AEK	GES
C-1	ALL	UPDATED BUILD & FLOW TO CURRENT STANDARD	6/3/08	21907	AEK	GES
E-2	ALL	CORRECTED AIR INLET ORIENTATION PLUMBING	10/23/08	21907	AEK	GES
S-1	ALL	UPDATED TO NEW POWEREX DRIVER	8/19/09	22120	AEK	GES
C-1	ALL	REMOTE INLET CHANGED TO 1 INCH	02/05/10	22348	DMS	GES
F-1	ALL	UPDATED TO NEW ENCLOSURE DESIGN	6/18/10	22384	AEK	GES
C-1	2 ALL	UPDATED/ADDED FLEX LINES	10/23/12	PIEC0009	AEK	KMD
I-1	ALL	ADDED CENTER OF GRAVITY INFORMATION	9/24/13	PIEC0030	AEK	GES
I-1	ALL	UPDATED TO CURRENT MASTER CONTROL PANEL				
I-1	ALL	ADDED RESERVE PRESSURE SWITCH				
I-1	ALL	ADDED ATC INLET LOCATION				
J-1	ALL	ADDED TANK LINGING	4/2/15	PIEC0029	GES	MHV
K	ALL	CHANGED TO TREAT ORDER, MORGANTON TANK, UPDATED TO TEAM CENTER	8/26/19	PIEC0030	GES	MHV



LEGEND	
	INTAKE FILTER
	AIR FILTER
	BALL VALVE
	CARBON FILTER
	DIVERTER VALVE
	REGULATOR
	CHECK VALVE
	SEPERATOR
	FLEX JOINT
	UNION

- NOTES:
 1.) SHEET 1, UNIT LAYOUT.
 2.) SHEET 2, UNIT FLOW SCHEMATIC.
 3.) INLET CONNECTIONS: 1" FNPT X 2.
 4.) OUTLET CONNECTION: 3/4" FNPT X 1.
 5.) POWER CONNECTION: 1- 208, 230, OR 460 VOLT

MINUS DRAFT PLUS DRAFT	ADDITIONAL CONTROL REQ'D BRINELL HARDNESS	Drawings to conform to the current revision of the following ASME standards: Y14.3 Multi and sectional view dgs Y14.5 Dimensioning and tolerancing
TOLERANCES NOT SPECIFIED	AUTOCAD REL2008 LT	DO NOT SCALE DRAWING FOR DIMENSIONS
XX 5 YY 5 ZZ 5 REG. 1-5	INCH	Sheet 2 of 2
CONFIDENTIAL DISCLOSURE This drawing is the property of POWEREX, INC. of the SCOTT FETZER COMPANY and subject to return on demand. Its contents are confidential and must not be copied or submitted to outside parties. For use on application.	DRAWN BY: AEK CHECKED BY: GES 9/24/07	DESIGNED BY: DMS 9/24/07
MATERIAL: N/A	PART NAME: ENCLOSED SCROLL DWG NO: MSED100 SIZE: D	