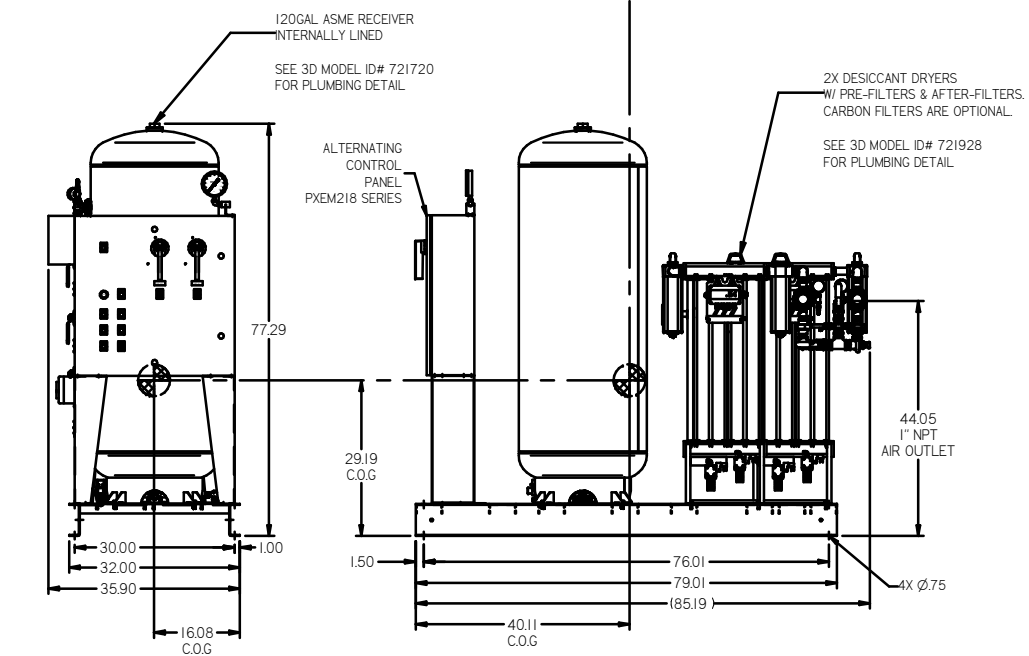
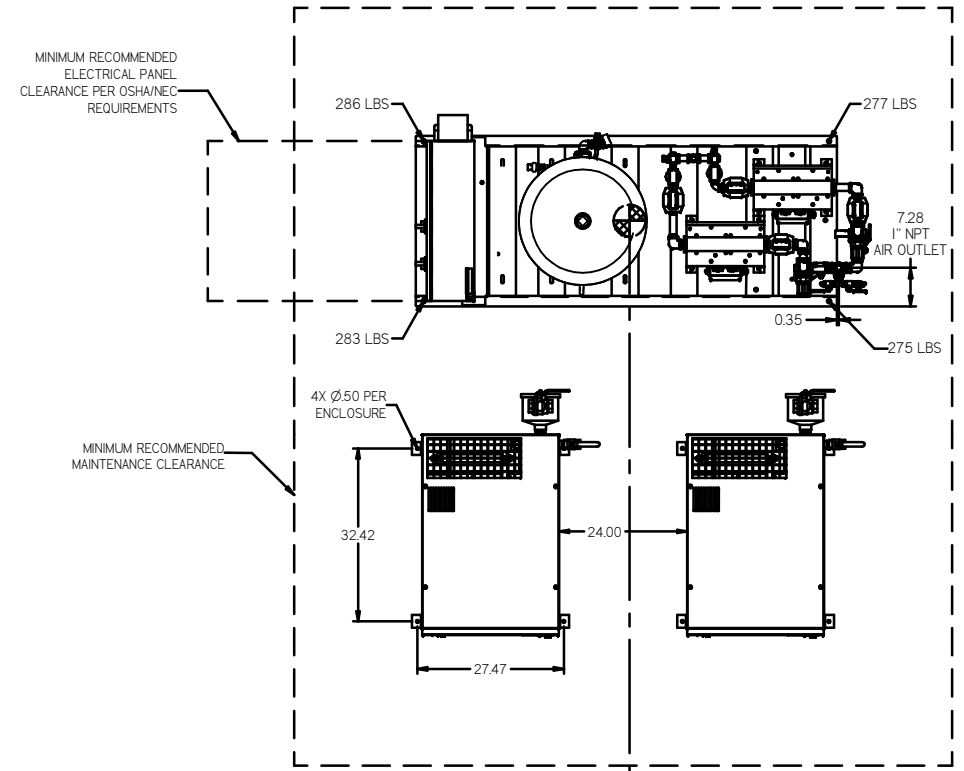


REV	ZONE	REVISION	DATE	ECN	NAME	CHKD
B-1	ALL	RELEASE TO PRODUCT CDN	10/1/07	21665	AEK	GES
C-1	ALL	CHANGED FROM 40HP TO 20HP IN TITLE BLOCK AND NOTES	10/4/08	21908	AEK	GES
D-1	ALL	UPDATED BUILD & FLOW TO CURRENT STANDARD	6/3/08	21907	AEK	GES
D-2	ALL	CORRECTED INLET PLUMBING & ORIENTATION	10/23/08	21907	AEK	GES
E-1	ALL	UPDATED TO NEW POWEREX ORDER	8/19/08	22020	AEK	GES
F-1	1 ALL	UPDATED TO NEW ENCLOSURE DESIGN	6/18/10	22394	AEK	GES
G-1	2 DS	ADD RESERVE PRESSURE SWITCH TO FLOW SCHEMATIC	2/10/14	PHCC0024	AEK	GES
G-1	2 ALL	ADDED/UPDATED FLEX LINES				
G-1	1 ALL	UPDATED TO CURRENT MASTER CONTROL PANEL	2/10/14	PHCC0067	AEK	GES
G-1	2 CS	ADDED RESERVE PRESSURE SWITCH				
G-1	1 ALL	ADDED ATC SKID INLET LOCATION				
H-1	ALL	ADDED COG INFORMATION	5/14/18	PHCC0222	GES	KMC
J	ALL	CHANGED TO TRENDS DRIVERS, MORGANTON TANK, UPDATED TO TEAM CENTER	8/07/19	PHCC02020	GES	MAY



FRONT VIEW (TANK/DRYER SKID) RIGHT VIEW (TANK/DRYER SKID)

AIR TREATMENT SKID
TOTAL WEIGHT: 1121 LBS
C.O.G. DIMENSIONS
X (FRONT): 16.08"
Y (RIGHT): 40.11"
Z (HEIGHT): 29.19"

MINIMUM RECOMMENDED ELECTRICAL PANEL CLEARANCE PER OSHA/NEC REQUIREMENTS

MINIMUM RECOMMENDED MAINTENANCE CLEARANCE

4X Ø.50 PER ENCLOSURE

120GAL ASME RECEIVER INTERNALLY LINED
SEE 3D MODEL ID# 721720 FOR PLUMBING DETAIL

ALTERNATING CONTROL PANEL PXEM218 SERIES

2X DESICCANT DRYERS W/ PRE-FILTERS & AFTER-FILTERS. CARBON FILTERS ARE OPTIONAL.
SEE 3D MODEL ID# 721928 FOR PLUMBING DETAIL

DEW POINT MONITOR

CO MONITOR

35.66 3/4" NPT AIR INLET

77.29

29.19 C.O.G.

1.50

30.00

32.00

35.90

16.08 C.O.G.

1.00

76.01

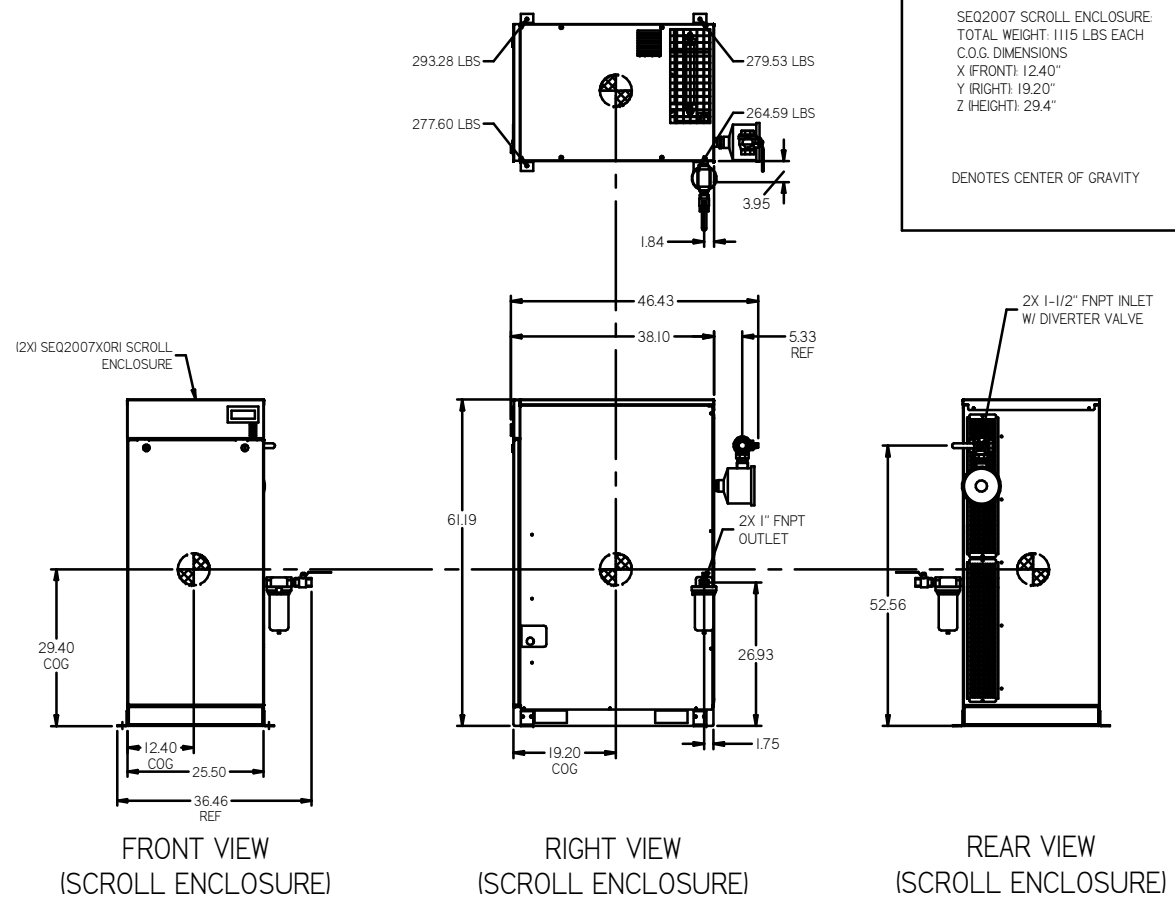
79.01

(85.19)

40.11 C.O.G.

44.05 1" NPT AIR OUTLET

4X Ø.75



FRONT VIEW (SCROLL ENCLOSURE) RIGHT VIEW (SCROLL ENCLOSURE) REAR VIEW (SCROLL ENCLOSURE)

SEQ2007 SCROLL ENCLOSURE
TOTAL WEIGHT: 1115 LBS EACH
C.O.G. DIMENSIONS
X (FRONT): 12.40"
Y (RIGHT): 19.20"
Z (HEIGHT): 29.4"

MINIMUM RECOMMENDED ELECTRICAL PANEL CLEARANCE PER OSHA/NEC REQUIREMENTS

MINIMUM RECOMMENDED MAINTENANCE CLEARANCE

4X Ø.50 PER ENCLOSURE

120GAL ASME RECEIVER INTERNALLY LINED
SEE 3D MODEL ID# 721720 FOR PLUMBING DETAIL

ALTERNATING CONTROL PANEL PXEM218 SERIES

2X DESICCANT DRYERS W/ PRE-FILTERS & AFTER-FILTERS. CARBON FILTERS ARE OPTIONAL.
SEE 3D MODEL ID# 721928 FOR PLUMBING DETAIL

DEW POINT MONITOR

CO MONITOR

35.66 3/4" NPT AIR INLET

77.29

29.19 C.O.G.

1.50

30.00

32.00

35.90

16.08 C.O.G.

1.00

76.01

79.01

(85.19)

40.11 C.O.G.

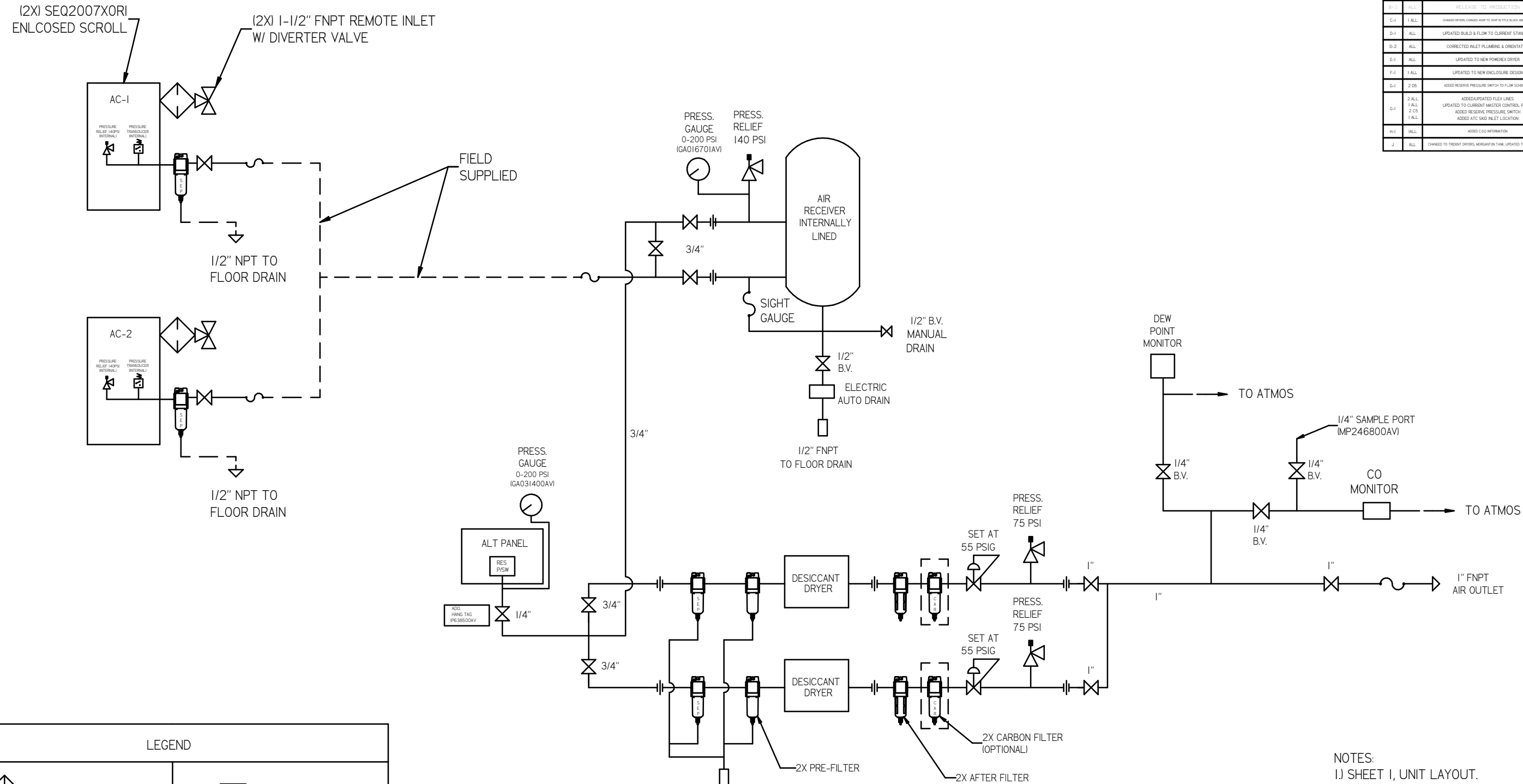
44.05 1" NPT AIR OUTLET

4X Ø.75

- NOTES:
- 1) SHEET 1, UNIT LAYOUT.
 - 2) SHEET 2, UNIT FLOW SCHEMATIC.
 - 3) INLET CONNECTIONS: 1-1/2" FNPT X 2.
 - 4) OUTLET CONNECTION: 1" FNPT X 1.
 - 5) POWER CONNECTION: 1- 208, 230, OR 460 VOLT
 - 6) WHEN PACKAGE IS INSTALLED INTO THE FACILITY, VERIFY THE INSTALLER REFERENCES TABLE 110.26 (A) (I) FOR MINIMUM WORKING AREA.

<p>MINUS DRAFT</p> <p>PLUS DRAFT</p> <p>TOLERANCES NOT SPECIFIED</p> <p>XX</p> <p>XX</p> <p>XX</p> <p>XX</p>	<p>ADDITIONAL CONTROL REQ'D</p> <p>BRINELL HARDNESS</p> <p>AUTOCAD REL2008 LT</p> <p>DO NOT SCALE DRAWING FOR DIMENSIONS</p> <p>INCH</p> <p>Sheet 1 of 2</p> <p>SCALE 1:18</p> <p>CONFIDENTIAL DISCLOSURE</p> <p>This drawing is the property of the CAMPBELL GROUP or the SCOTT FELTZER COMPANY and subject to return on demand. Its contents are confidential and must not be copied or submitted to outside parties for use or reproduction.</p> <p>MATERIAL: N/A</p> <p>PART NAME: MEDICAL SCROLL ENCLOSED</p> <p>DWG NO: 20HP DUPLEX</p>	<p>Drawings to conform to the current revision of the following ANSI standards:</p> <p>14.3 Multi and sectional view dra. (1:50 Dimensions and tolerancing)</p> <p>DRN BY: AEK</p> <p>CHEK BY: GES</p> <p>PROJ BY: DMS</p> <p>DATE: 10/3/07</p> <p>10/1/07</p> <p>10/1/07</p> <p>10/1/07</p> <p>POWEREX</p> <p>1000000000 - CUSTOMER SERVICE</p> <p>DWG NO: MSED200</p> <p>SIZE: D</p>
--	---	--

REV	ZONE	REVISION	DATE	ECN	NAME	CHKD
B-1	ALL	RELEASE TO PROJECT FOR	07/17/07	11408	AEK	GES
C-1	ALL	CHANGED DRIVEN CHUCK TO 200 IN TITLE BLOCK AND NOTES	11/14/08	21906	AEK	GES
D-1	ALL	UPDATED BUILD & FLOW TO CURRENT STANDARD	03/08	21907	AEK	GES
D-2	ALL	CORRECTED INLET PLUMBING & ORIENTATION	02/23/08	21907	AEK	GES
E-1	ALL	UPDATED TO NEW POWEREX DRIVER	8/18/09	22120	AEK	GES
F-1	1 ALL	UPDATED TO NEW ENCLOSURE DESIGN	01/09	22394	AEK	GES
G-1	2 DS	ADDED RESERVE PRESSURE SWITCH TO FLOW SCHEMATIC	2/10/14	PRE0024	AEK	GES
G-1	2 ALL	ADDED/ADJUSTED FLEX LINES UPDATED TO CURRENT MASTER CONTROL PANEL ADDED RESERVE PRESSURE SWITCH ADDED ATC INLET LOCATION	2/10/14	PRE0087	AEK	GES
H-1	1 ALL	ADD CIG INFORMATION	01/4/18	PRE0227	GES	KMD
J	ALL	CHANGED TO TROST DRIVER, MOTOR WITH TANK, UPDATED TO TEAM DRIVER	03/07/19	PRE0309	GES	MWH



LEGEND

	INTAKE FILTER		REGULATOR
	AIR FILTER		CHECK VALVE
	BALL VALVE		SEPERATOR
	CARBON FILTER		FLEX JOINT
	DIVERTER VALVE		UNION

- NOTES:
- 1) SHEET 1, UNIT LAYOUT.
 - 2) SHEET 2, UNIT FLOW SCHEMATIC.
 - 3) INLET CONNECTIONS: 1-1/2" FNPT X 2.
 - 4) OUTLET CONNECTION: 1" FNPT X 1.
 - 5) POWER CONNECTION: 1- 208, 230, OR 460 VOLT

<p>SYMBOL LEGEND</p> <p>⊖ = MINUS DRAFT</p> <p>⊕ = PLUS DRAFT</p> <p>⊖ = ADDITIONAL CONTROL REQ'D</p> <p>⊕ = BRINELL HARDNESS</p>	<p>Drawings to conform to the current revision of the following ANSI standards:</p> <p>Y14.3 Multi and sectional view dgs.</p> <p>Y14.9M Dimensional and tolerancing.</p>
<p>TOLERANCES NOT SPECIFIED</p> <p>XX ±</p> <p>XXX ±</p> <p>∠ DEG. ±</p>	<p>AUTOCAD REL2009 LT</p> <p>DO NOT SCALE DRAWING FOR DIMENSIONS</p> <p>Sheet 2 of 2</p> <p>SCALE 1:18</p>
<p>CONFIDENTIAL PROPRIETARY</p> <p>This drawing is the property of the CAMPBELL GROUP of the SCOTT FETZER COMPANY and subject to return on demand. Its contents are confidential and must not be copied or submitted to outside parties for use or examination.</p>	<p>DRAWN BY: AEK</p> <p>CHECKED BY: GES</p> <p>APPROVED BY: DMS, DB</p> <p>10/1/07 10/1/07 10/1/07 10/1/07</p>
<p>MATERIAL: N/A</p> <p>PART NAME: ENCLOSED SCROLL FLOW SCHEMATIC</p>	<p>POWEREX</p> <p>155 PRODUCTION DRIVE, HARRISBURG, OHIO 45030</p> <p>PH: 938-262-7078 FAX: 938-262-3125</p> <p>DWG NO: MSE200</p> <p>SIZE: D</p>