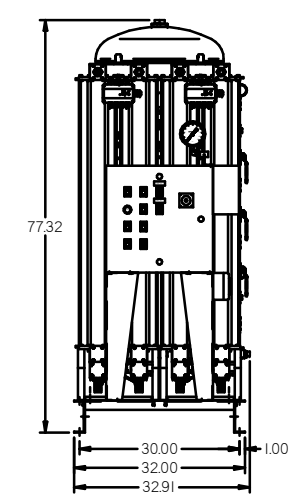
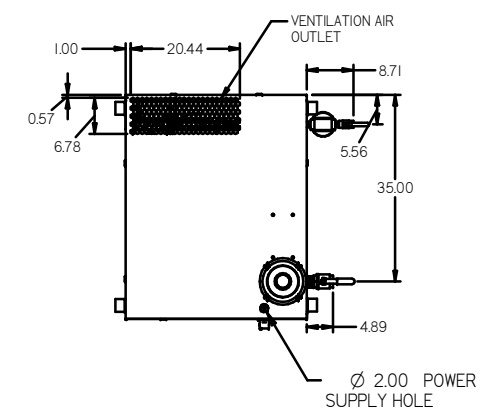
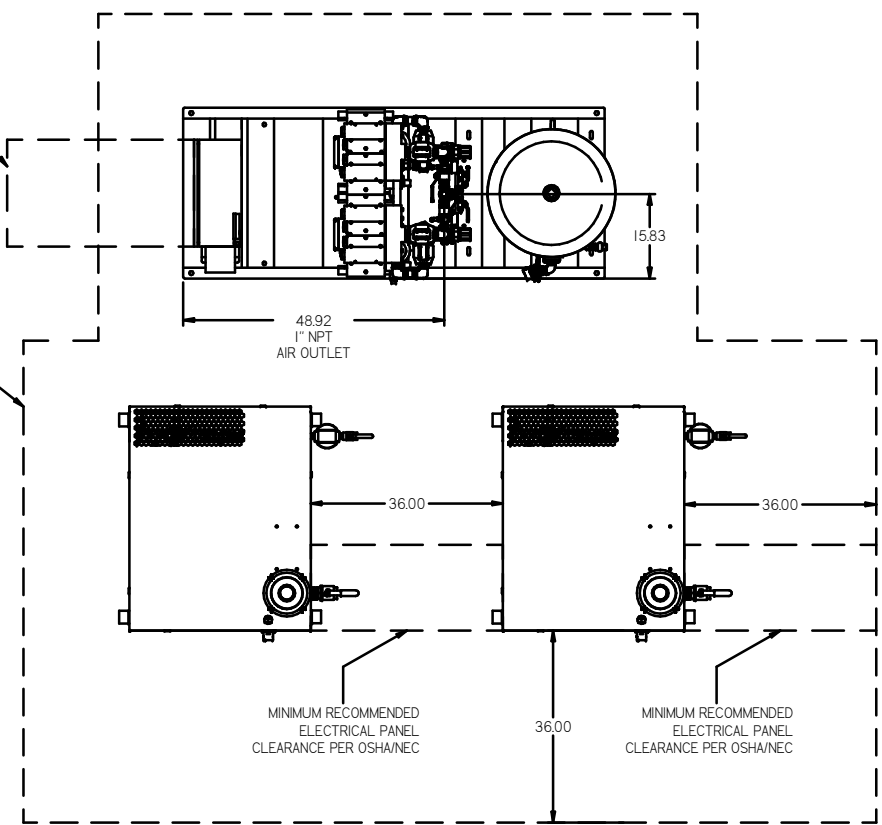


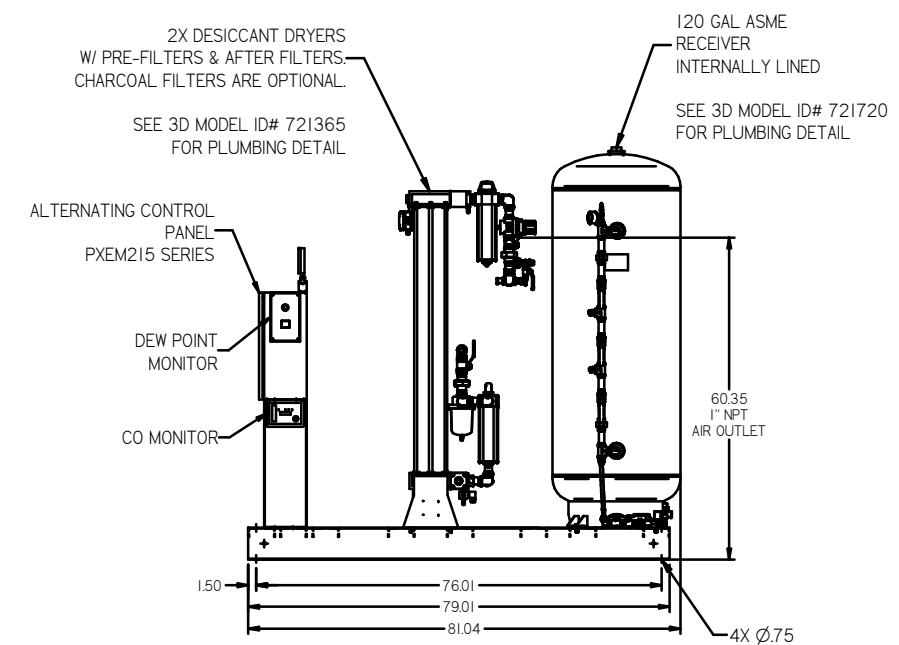
REV	ZONE	REVISION	DATE	ECN	NAME	CHKD
B-1	ALL	RELEASE TO PRODUCT USE	11/25/15		RK	JA
B-2	INLL ZMLL	ADDED SEP CORR ALT PNL DRYER AND NOTES CORRECTED FLOW	1/25/17		PAEC0180	GES JA
C	ALL	CHANGED TO TROENT DRYERS, MORGANTON TANK, UPDATED TO TEAM CENTER	6/28/19		PRE202109	GES MH

MINIMUM RECOMMENDED ELECTRICAL PANEL CLEARANCE PER OSHA/NEC

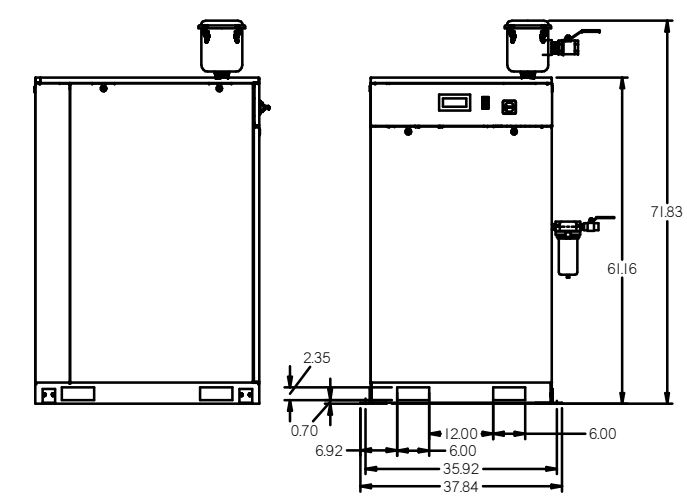
24" MINIMUM RECOMMENDED MAINTENANCE CLEARANCE



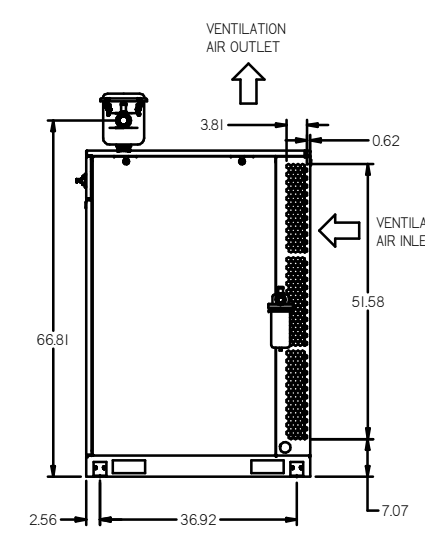
FRONT VIEW
(TANK/DRYER SKID)



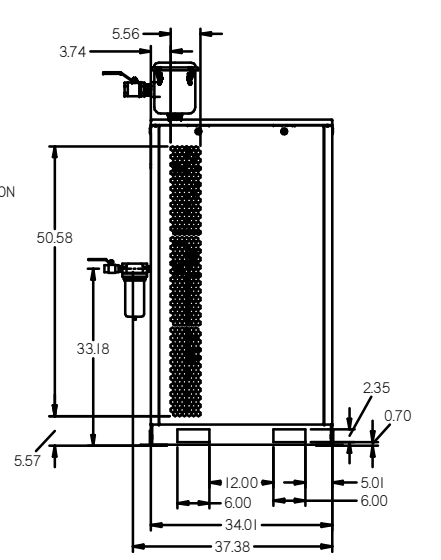
RIGHT VIEW
(TANK/DRYER SKID)



FRONT VIEW
(SCROLL ENCLOSURE)



RIGHT VIEW
(SCROLL ENCLOSURE)

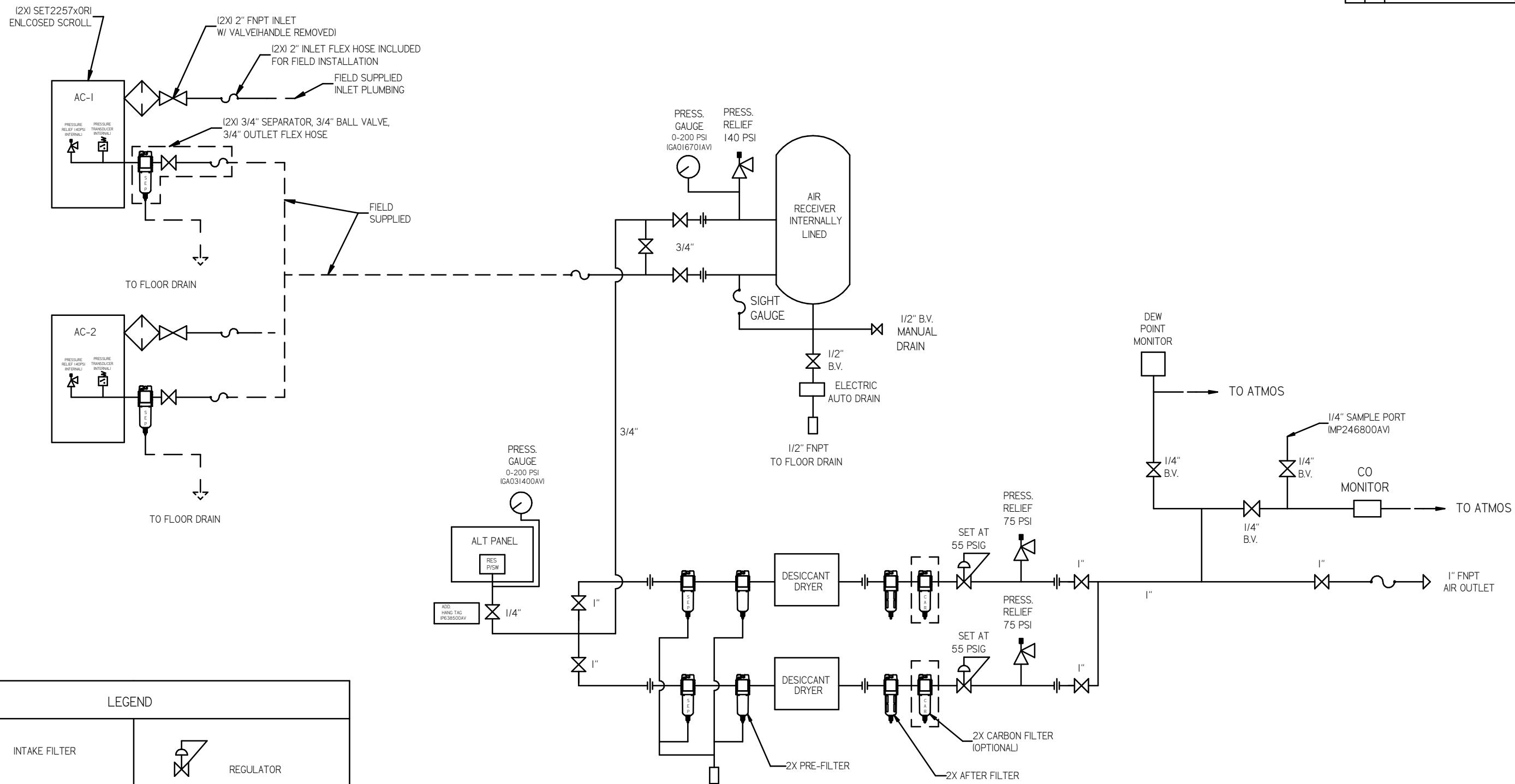


REAR VIEW
(SCROLL ENCLOSURE)

- NOTES
- 1) SHEET 1, UNIT LAYOUT.
 - 2) SHEET 2, UNIT FLOW SCHEMATIC.
 - 3) INLET CONNECTIONS: 2" FNPT X 2.
 - 4) SYSTEM OUTLET CONNECTION: 1" FNPT X 1.
 - 5) POWER CONNECTION EACH ENCLOSURE: I-230, OR 460 VOLT, ALTERNATION PANEL: 115V
 - 6) WHEN PACKAGE IS INSTALLED INTO THE FACILITY, VERIFY THE INSTALLER REFERENCES TABLE 110.26 (A) (1) FOR MINIMUM WORKING AREA.
 - 7) DIRECTION OF INTAKE CONNECTIONS MAY BE MODIFIED AT INSTALLATION BY ADJUSTING PIPE THREAD CONNECTIONS.

<p>MINUS DRAFT</p> <p>PLUS DRAFT</p> <p>TOLERANCES NOT SPECIFIED</p> <p>XX ± .015</p> <p>XXX ± .005</p> <p>DEG ± .5°</p>	<p>ADDITIONAL CONTROL REQ'D</p> <p>BRINELL HARDNESS</p> <p>AUTOCAD LT 2014</p> <p>DO NOT SCALE DRAWING FOR DIMENSIONS</p> <p>Sheet 1 of 2</p> <p>SCALE 1:18</p>	<p>Drawings to conform to the current revision of the following ANSI standards:</p> <p>11.4.3 Multi- and sectional view dgs.</p> <p>11.4.3B Dimensions and tolerancing.</p>
<p>CONFIDENTIAL - PROPRIETARY</p> <p>This drawing is the property of POWEREX, INC. of the SCOTT FETZER COMPANY and subject to return on demand. Its contents are confidential and must not be copied or submitted to outside parties for use or reproduction.</p>	<p>APPROVED BY</p> <p>ENGINEERING</p> <p>12/8/16</p> <p>12/8/16</p> <p>12/8/16</p> <p>12/8/16</p>	<p>POWEREX</p> <p>150 PRODUCTION DRIVE, HARTFORD, CT 06105</p> <p>PH: 888-769-7079 FAX: 860-267-2165</p>
<p>MATERIAL</p> <p>N/A</p> <p>PART NAME</p> <p>MEDICAL ENCL SCROLL</p> <p>22.5HP DUPLEX</p>	<p>DWG NO</p> <p>MSE.D2254</p> <p>SIZE</p> <p>D</p>	

REV	ZONE	REVISION	DATE	ECN	NAME	CHKD
B-1	ALL	RELEASE TO PRODUCTIONS	12/8/16		RK	JA
B-2	ALL	ADDED SEP. CORR. ALT. PNL. DRIVER AND NOTES CORRECTED FLOW	12/29/17		PRECIBO	GES
C	ALL	CHANGED TO TIGHTEN DRIP MOUNTING TANK. UPDATED TO TEAM CENTER	8/28/19		PRECIBO	GES



LEGEND	
	INTAKE FILTER
	AIR FILTER
	BALL VALVE
	CARBON FILTER
	DIVERTER VALVE
	REGULATOR
	CHECK VALVE
	SEPERATOR
	FLEX JOINT
	UNION

NOTES:
 1) SHEET 1, UNIT LAYOUT.
 2) SHEET 2, UNIT FLOW SCHEMATIC.
 3) INLET CONNECTIONS: 2" FNPT X 2.
 4) SYSTEM OUTLET CONNECTION: 1" FNPT X 1.
 5) POWER CONNECTION EACH ENCLOSURE: 1-230, OR 460 VOLT, ALTERNATION PANEL: 115V
 6) WHEN CONNECTION IS INSTALLED INTO THE FACILITY, VERIFY THE INSTALLERREFERENCES TABLE 110.26 (A) III FOR MINIMUM WORKING AREA.
 7) DIRECTION OF INTAKE CONNECTIONS MAY BE MODIFIED AT INSTALLATION BY ADJUSTING PIPE THREAD CONNECTIONS.

TOLERANCES NOT SPECIFIED XX ± .015 XX ± .005 XX ± .1"	AUTOCAD LT 2014 INCH	DO NOT SCALE DRAWING FOR DIMENSIONS Sheet 2 of 2 SCALE 1:18
CONFIDENTIAL DISCLOSURE This drawing is the property of POWEREX, INC. of the SCOTT FETZER COMPANY and subject to return on demand. Its contents are confidential and must not be copied or submitted to outside parties for use or reproduction.	DRAWN BY RK	CHECKED BY JA
MATERIAL N/A	DATE 12/8/16	DATE 12/8/16
PART NAME MEDICAL ENCL SCROLL FLOW SCHEMATIC		SIZE D