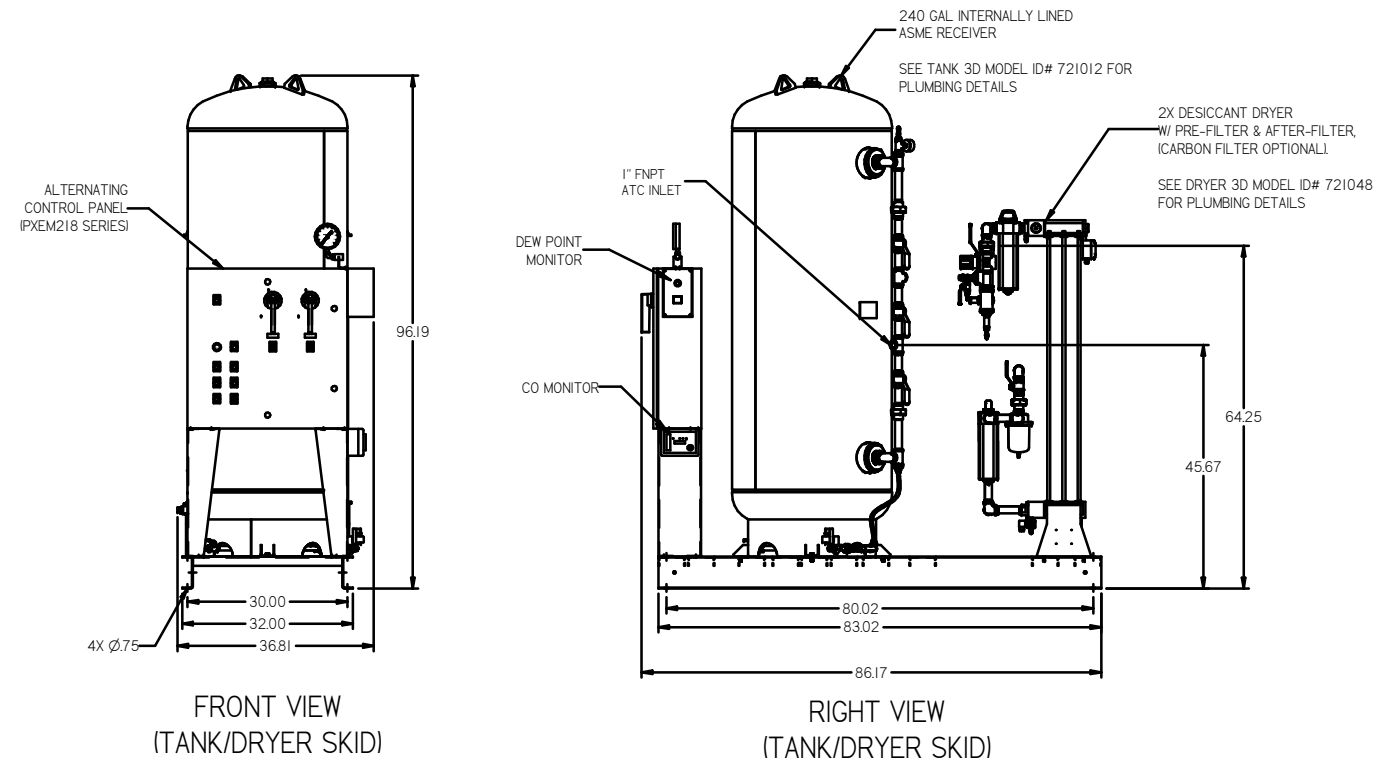
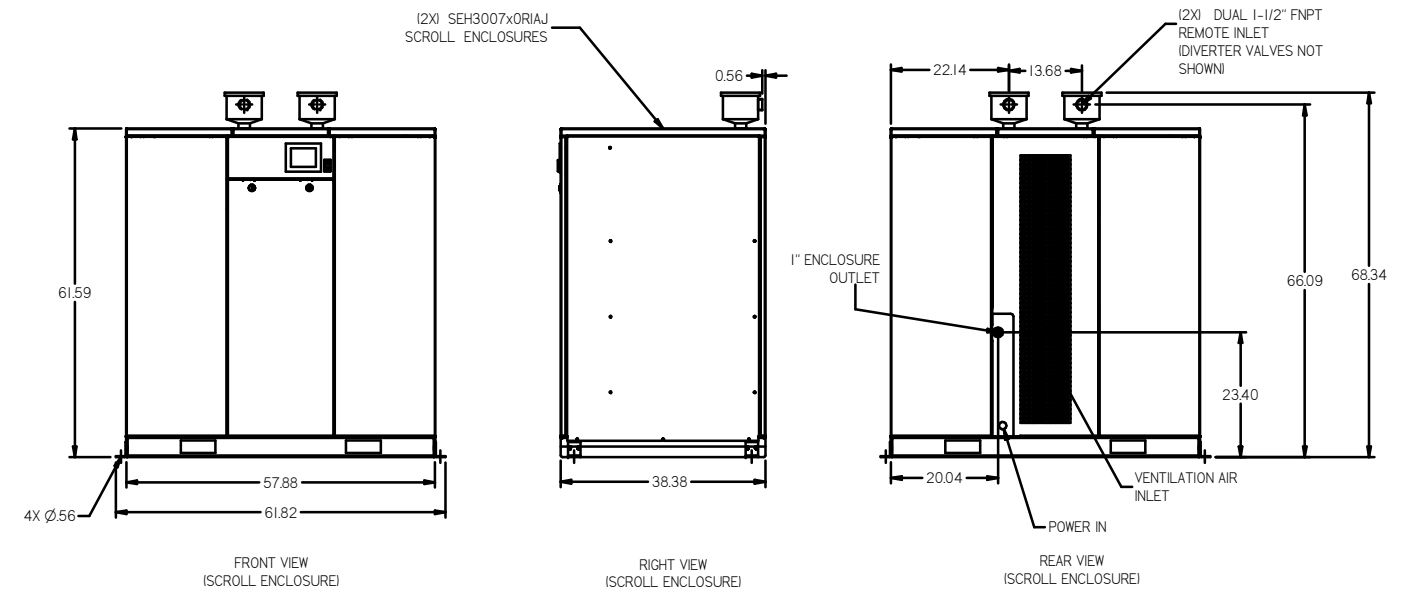
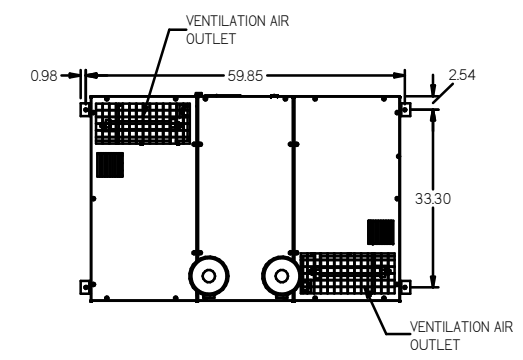
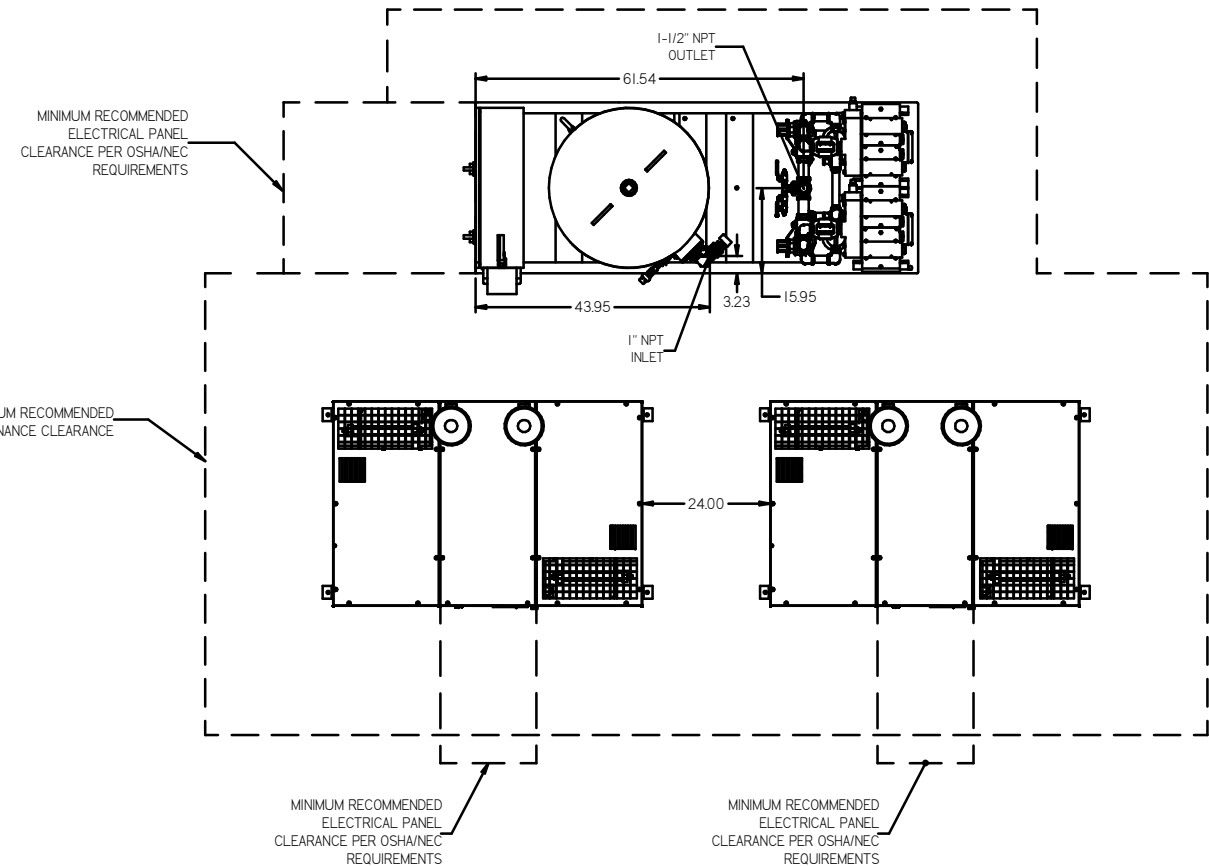
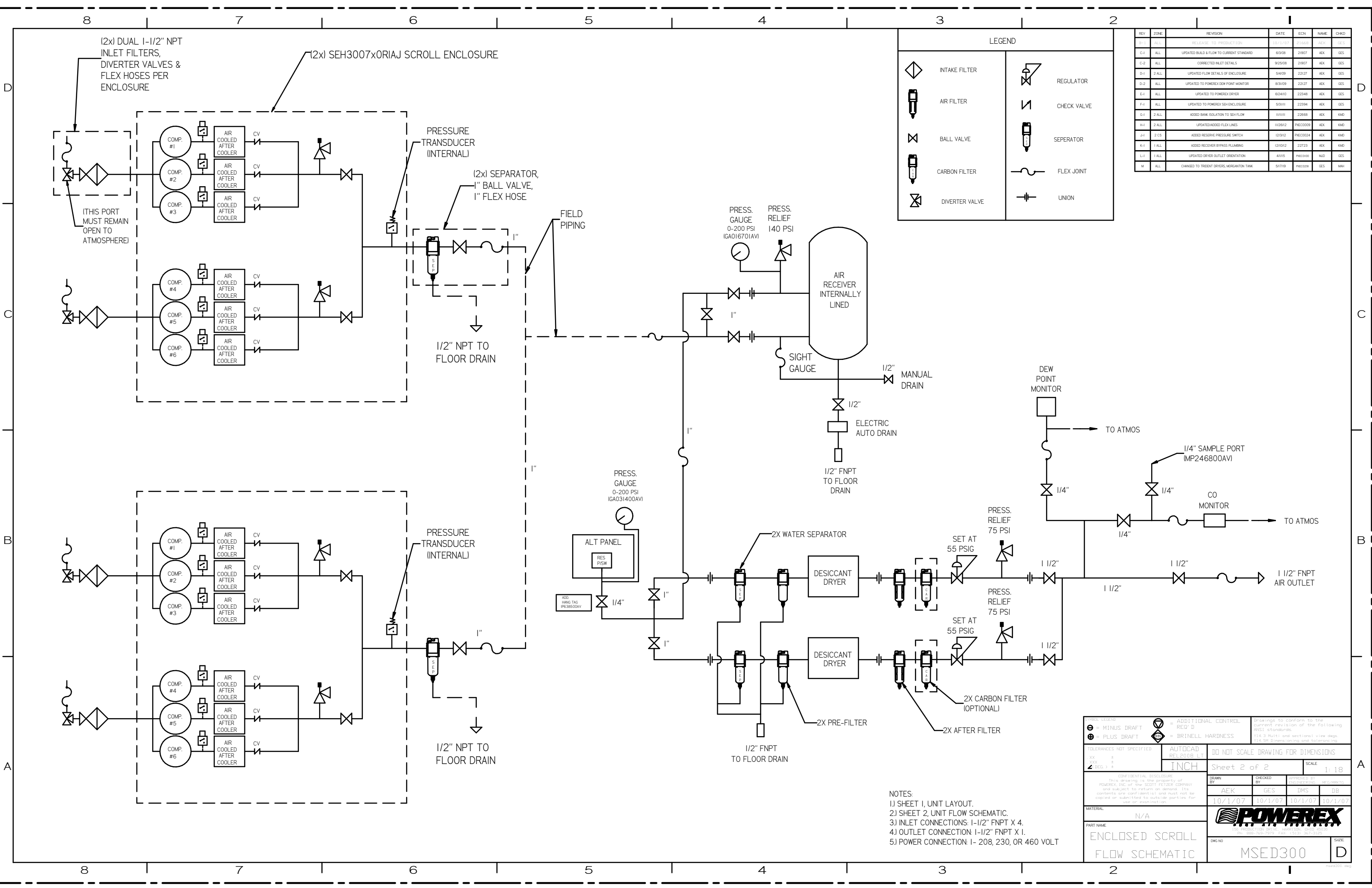


REV	ZONE	REVISION	DATE	ECN	NAME	CHKD
B-1	ALL	RELEASE TO PRODUCTION	10/1/07	1166	AKS	GES
C-1	ALL	UPDATED BUILD & FLOW TO CURRENT STANDARD	6/9/08	21907	AEK	GES
C-2	ALL	CORRECTED INLET DETAILS	9/25/08	21907	AEK	GES
D-1	2 ALL	UPDATED FLOW DETAILS OF ENCLOSURE	5/4/09	22127	AEK	GES
D-2	ALL	UPDATED TO POWEREX DEW POINT MONITOR	6/3/09	22127	AEK	GES
E-1	ALL	UPDATED TO POWEREX DRYER	6/24/10	22348	AEK	GES
F-1	ALL	UPDATED TO POWEREX SEH ENCLOSURE	5/9/11	22394	AEK	GES
G-1	2 ALL	ADDED BANK ISOLATION TO SEH FLOW	10/1/11	22668	AEK	KMD
H-1	2 ALL	UPDATED/ADDED FLEX LINES	11/26/12	PREC0009	AEK	KMD
J-1	2 CS	ADDED RESERVE PRESSURE SWITCH	12/3/12	PREC0024	AEK	KMD
K-1	1 ALL	ADDED RECEIVER BYPASS PLUMBING	12/10/12	22723	AEK	KMD
L-1	1 ALL	UPDATED DRIVER OUTLET ORIENTATION	4/1/15	PREC0030	MJD	GES
M	ALL	CHANGED TO TROENT DRYERS, MORGANTON TANK	5/17/19	PREC0201	GES	MMH



- NOTES:
- 1) SHEET 1, UNIT LAYOUT.
 - 2) SHEET 2, UNIT FLOW SCHEMATIC.
 - 3) INLET CONNECTIONS: 1-1/2" FNPT X 4.
 - 4) OUTLET CONNECTION: 1-1/2" FNPT X 1.
 - 5) POWER CONNECTION: 1- 208, 230, OR 460 VOLT
 - 6) WHEN PACKAGE IS INSTALLED INTO THE FACILITY, VERIFY THE INSTALLER REFERENCES TABLE 110.26 (A) (I) FOR MINIMUM WORKING AREA.

SYMBOL LEGEND ⊖ = MINUS DRAFT ⊕ = PLUS DRAFT TOLERANCES NOT SPECIFIED XX ± .XX .XX (NEG.) ±	= ADDITIONAL CONTROL REQ'D = BRINELL HARDNESS	Drawings to conform to the current revision of the following ANSI standards: 914.3 Multi and sectional view deqs. 14.99 Dimensioning and tolerancing
AUTOCAD RELEASE 12 INCH	DO NOT SCALE DRAWING FOR DIMENSIONS Sheet 1 of 2 SCALE 1:18	
MATERIAL N/A	DRAWN BY AEK	CHECKED BY GES
PART NAME MEDICAL SCROLL 30HP DUPLEX	APPROVED BY DMS	DATE 10/1/07
ENG NO MSED300		SIZE D



LEGEND

	INTAKE FILTER		REGULATOR
	AIR FILTER		CHECK VALVE
	BALL VALVE		SEPERATOR
	CARBON FILTER		FLEX JOINT
	DIVERTER VALVE		UNION

REV	ZONE	REVISION	DATE	ECN	NAME	CHKD
0-1	ALL	RELEASED TO PRODUCTION	10/1/07	01000	AEK	GES
C-1	ALL	UPDATED BUILD & FLOW TO CURRENT STANDARD	6/3/08	21907	AEK	GES
C-2	ALL	CORRECTED INLET DETAILS	9/25/09	21907	AEK	GES
D-1	2 ALL	UPDATED FLOW DETAILS OF ENCLOSURE	5/4/09	22127	AEK	GES
D-2	ALL	UPDATED TO POWEREX NEW POINT MONITOR	8/30/09	22127	AEK	GES
E-1	ALL	UPDATED TO POWEREX SEH ENCLOSURE	8/24/10	22345	AEK	GES
F-1	ALL	UPDATED TO POWEREX SEH ENCLOSURE	5/9/11	22394	AEK	GES
G-1	2 ALL	ADDED BANK ISOLATION TO SEH FLOW	10/11/11	22866	AEK	KMD
H-1	2 ALL	UPDATED/ADDED FLEX LINES	11/26/12	PXC0009	AEK	KMD
J-1	2 CS	ADDED RESERVE PRESSURE SWITCH	12/9/12	PXC0024	AEK	KMD
K-1	1 ALL	ADDED RECEIVER BYPASS PLUMBING	12/10/12	22723	AEK	KMD
L-1	ALL	UPDATED DRIVER OUTLET ORIENTATION	4/1/15	PXC0202	MJD	GES
M	ALL	CHANGED TO TRENT DRYERS, MORGANTON TANK	5/17/19	PXC0209	GES	MMW

- NOTES:
- 1) SHEET 1, UNIT LAYOUT.
 - 2) SHEET 2, UNIT FLOW SCHEMATIC.
 - 3) INLET CONNECTIONS: 1-1/2" FNPT X 4.
 - 4) OUTLET CONNECTION: 1-1/2" FNPT X 1.
 - 5) POWER CONNECTION: 1- 208, 230, OR 460 VOLT

TYPICAL LEGEND: ⊖ = MINUS DRAFT ⊕ = PLUS DRAFT HRC = BRINELL HARDNESS	AUTOCAD REVISION LIST INCH	DO NOT SCALE DRAWING FOR DIMENSIONS Sheet 2 of 2 SCALE 1:18
TOLERANCES NOT SPECIFIED XX ± .005 XY ± .010 Z (REG.) ± .015	CONFIDENTIAL DISCLOSURE: This drawing is the property of POWEREX, INC. or the SCOTT FETZER COMPANY and subject to return on demand. Its contents are confidential and must not be copied or submitted for outside parties for use or inspection.	Drawings to conform to the current revision of the following ANSI standards: 11.3 Multi and sectional view dsgs. 11.4 DW Dimensioning and Tolerancing
MATERIAL: N/A PART NAME: ENCLOSED SCROLL FLOW SCHEMATIC DWG NO: MSED300	CHECKED BY: AEK 10/1/07 APPROVED BY: GES 10/1/07 DMS 10/1/07 DB 10/1/07 100 PRODUCTION DRIVE, HARRISBURG, PA 17109 TEL: 717-538-7979 FAX: 717-538-7322	SIZE: D