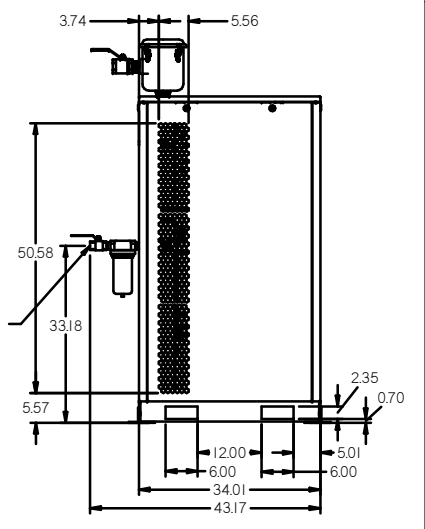
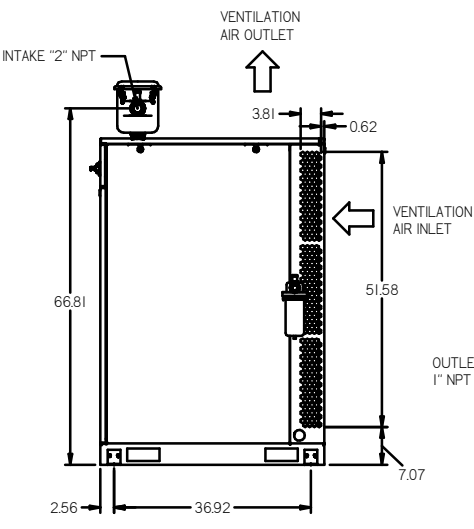
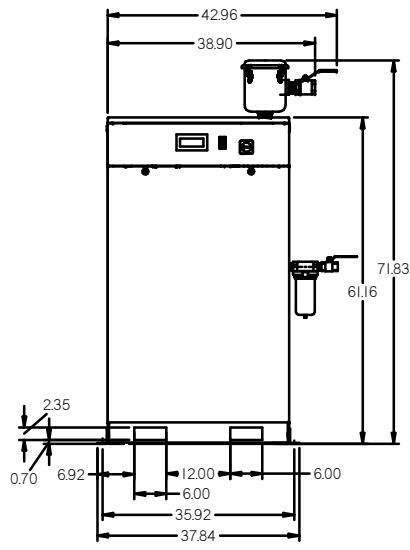
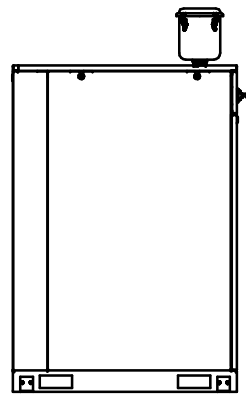
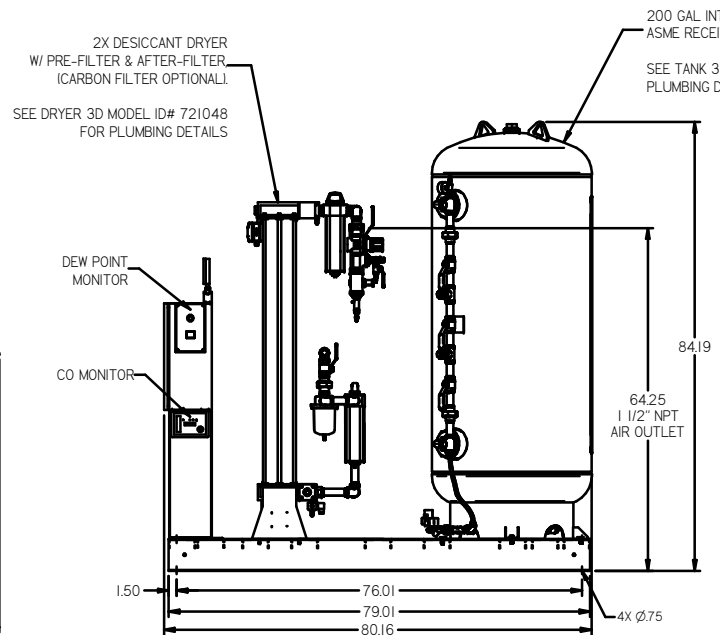
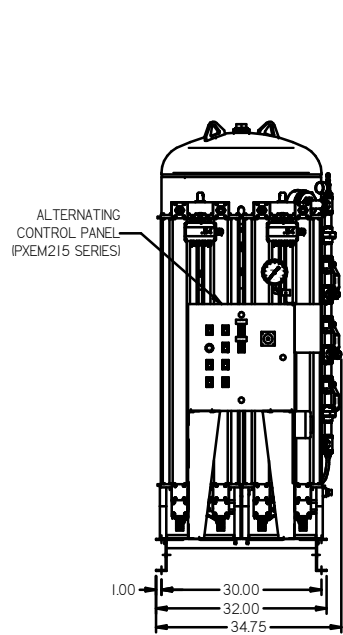
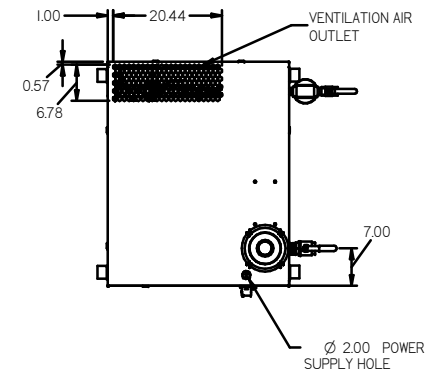
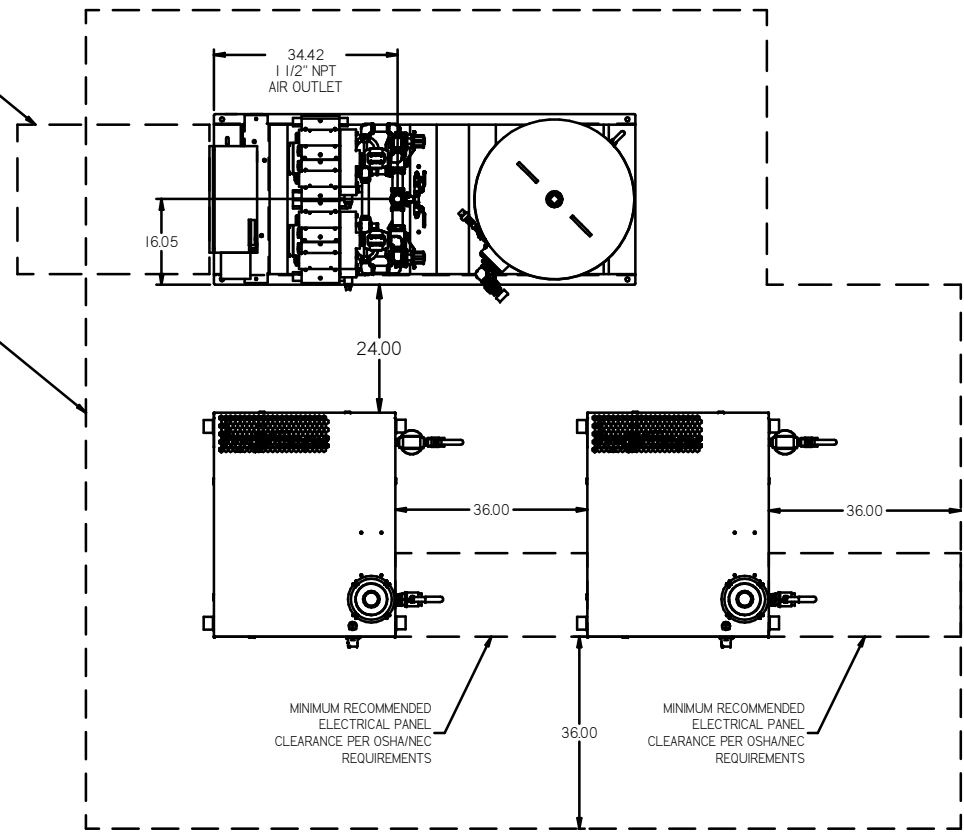


REV	ZONE	REVISION	DATE	ECN	NAME	CHKD
B-1	ALL	RELEASE TO PRODUCTION	12/8/16	PREC010	RK	JA
B-2	ALL	ADD 3RD CORR ALT PNL CORR NOTES CORRECTED FLOW	10/2/17	PREC010	GES	JA
C	ALL	CHANGED TO TRIDENT DRYERS, MORGANTON TANK, UPDATED TO TC	8/3/18	PREC010	GES	MAN

MINIMUM RECOMMENDED ELECTRICAL PANEL CLEARANCE PER OSHA/NEC REQUIREMENTS

24" MINIMUM RECOMMENDED MAINTENANCE CLEARANCE



FRONT VIEW (TANK/DRYER SKID)

RIGHT VIEW (TANK/DRYER SKID)

FRONT VIEW (SCROLL ENCLOSURE)

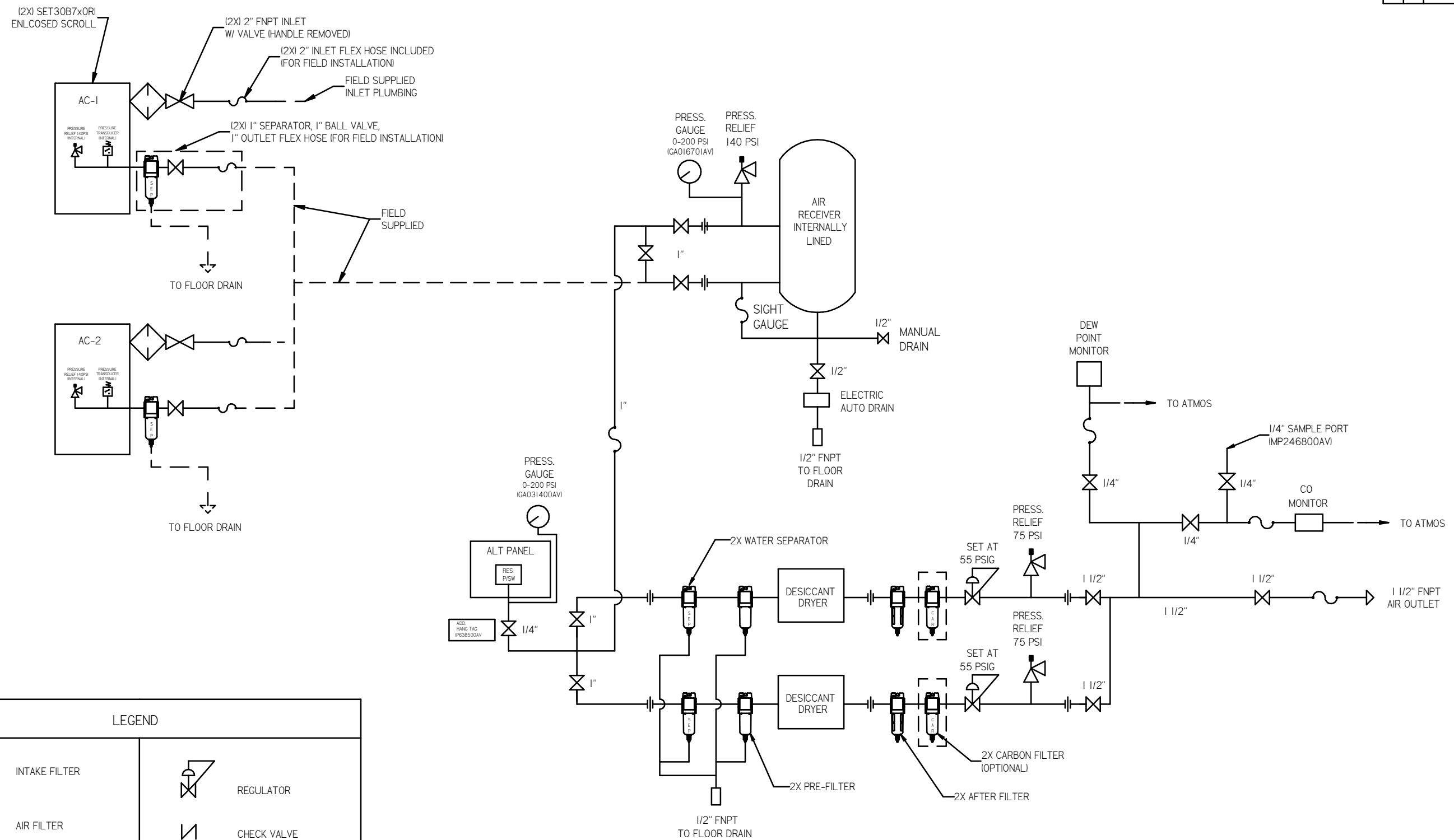
RIGHT VIEW (SCROLL ENCLOSURE)

REAR VIEW (SCROLL ENCLOSURE)

- NOTES:
- 1) SHEET 1, UNIT LAYOUT.
 - 2) SHEET 2, UNIT FLOW SCHEMATIC.
 - 3) INLET CONNECTIONS 2" FNPT X 2.
 - 4) SYSTEM OUTLET CONNECTION: 1 1/2" FNPT X 1.
 - 5) POWER CONNECTION EACH ENCLOSURE: 1-230, OR 460 VOLT, ALTERNATION PANEL: 115V
 - 6) WHEN PACKAGE IS INSTALLED INTO THE FACILITY, VERIFY THE INSTALLER REFERENCES TABLE 110.26 (A) (I) FOR MINIMUM WORKING AREA.
 - 7) DIRECTION OF INTAKE CONNECTIONS MAY BE MODIFIED AT INSTALLATION BY ADJUSTING PIPE THREAD CONNECTIONS.

UNLESS NOTED OTHERWISE: ⊖ = MINUS DRAFT ⊕ = PLUS DRAFT	ADDITIONAL CONTROL: RED 'D' = BRINELL HARDNESS	Drawings to conform to the current revision of the following ANSI standards: ASME Y14.5 (M) and sectional view (see 11.4 SM Dimensioning and tolerancing)
DIMENSIONS NOT SPECIFIED: XXX X REG. 3	AUTOCAD REI.2014.LT INCH	DO NOT SCALE DRAWING FOR DIMENSIONS Sheet 1 of 2 SCALE: 1:18
CONFIDENTIAL DISCLOSURE: This drawing is the property of POWEREX, INC. of the SCOTT FETZER COMPANY and subject to return on demand. Its contents are confidential and must not be copied or submitted to outside parties. For more information, contact your representative.		
MATERIAL: N/A	PART NAME: MEDICAL SCROLL 30HP DUPLEX	DRAWN BY: RK CHECKED BY: JA APPROVED BY: JA, CT DATES: 12/8/16, 12/8/16, 12/8/16, 12/8/16
POWEREX THE PRODUCTIVITY EXPERTS 988-763-7979 FAX (513) 357-3125		SIZE: D MSKD30B5

REV	ZONE	REVISION	DATE	ECN	NAME	QHD
B-1	ALL	RELEASE TO PRODUCTION	12/8/16		RK	JA
B-2	ALL	ADDED SEP. CORR. ALT. PNL. CORR. NOTES. CORRECTED FLOW	1/25/17		PREDD90	GES
C	ALL	CHANGED TO TROBRT OTHERS. MORGANTON TANK. UPDATED TO:	6/30/19			GES



LEGEND	
	INTAKE FILTER
	AIR FILTER
	BALL VALVE
	CARBON FILTER
	DIVERTER VALVE
	REGULATOR
	CHECK VALVE
	SEPERATOR
	FLEX JOINT
	UNION

- NOTES
- 1) SHEET 1, UNIT LAYOUT.
 - 2) SHEET 2, UNIT FLOW SCHEMATIC.
 - 3) INLET CONNECTIONS: 2" FNPT X 2.
 - 4) SYSTEM OUTLET CONNECTION: 1 1/2" FNPT X 1.
 - 5) POWER CONNECTION EACH ENCLOSURE: 1-230, OR 460 VOLT, ALTERNATION PANEL: 115V
 - 6) WHEN PACKAGE IS INSTALLED INTO THE FACILITY, VERIFY THE INSTALLER REFERENCES TABLE 110.26 (A) (1) FOR MINIMUM WORKING AREA.
 - 7) DIRECTION OF INTAKE CONNECTIONS MAY BE MODIFIED AT INSTALLATION BY ADJUSTING PIPE THREAD CONNECTIONS.

MINUS DRAFT PLUS DRAFT TOLERANCES NOT SPECIFIED XX ± XXX ± 2 DEC. 3	AUTOCAD REL2014LT INCH	DO NOT SCALE DRAWING FOR DIMENSIONS Sheet 2 of 2 SCALE 1:18
CONFIDENTIAL DISCLOSURE This drawing is the property of POWEREX, INC. of the SCOTT FELTZER COMPANY and subject to return on demand. It contains confidential information and must not be copied or submitted to outside parties for use or examination.	DRAWN BY: RK CHECKED BY: JA 12/8/16	DESIGNED BY: JA 12/8/16 12/8/16 12/8/16
MATERIAL: N/A PART NAME: ENCLOSED SCROLL FLOW SCHEMATIC DWG NO: MSED30B5 SIZE: D		