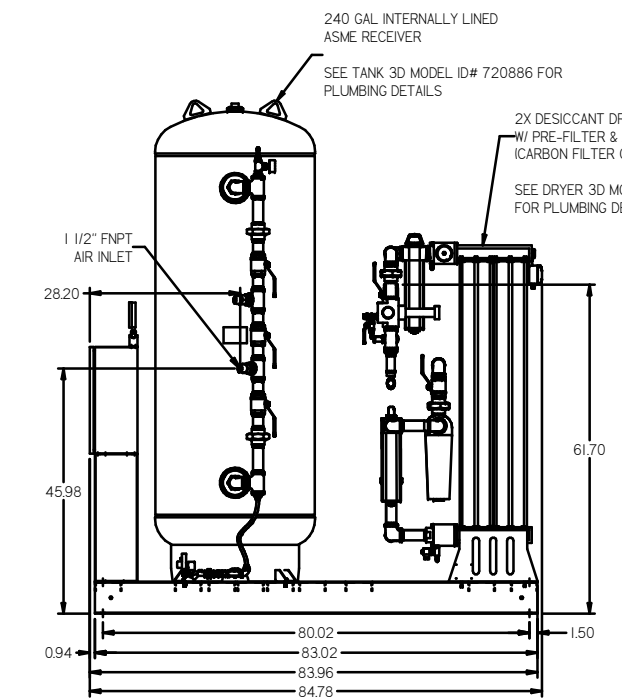
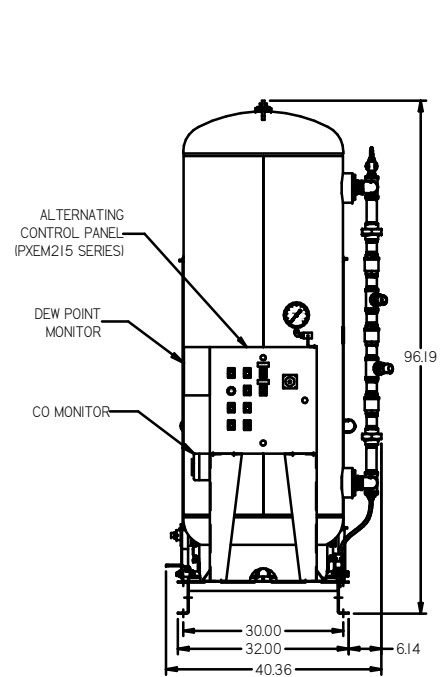
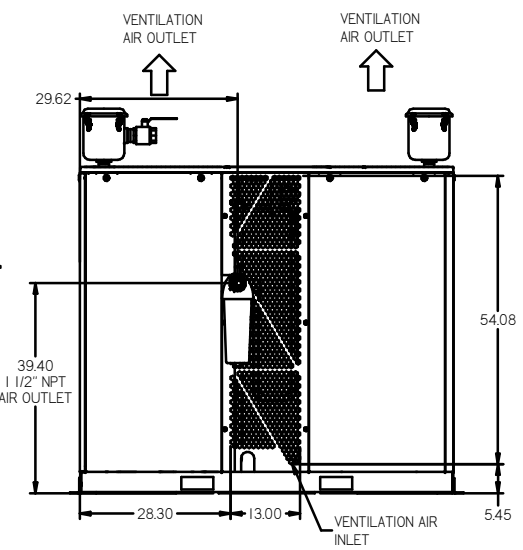
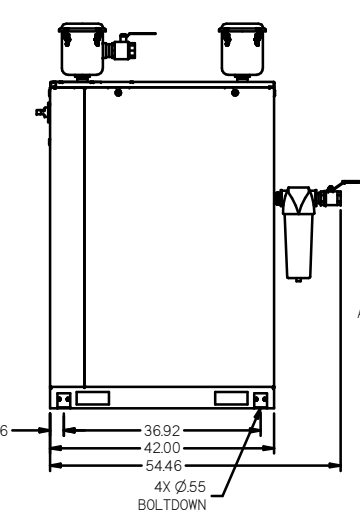
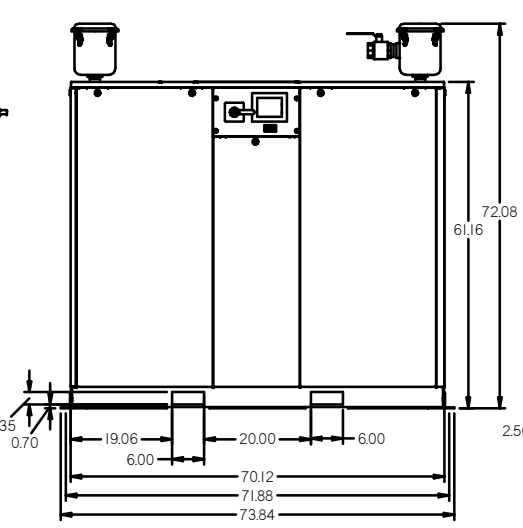
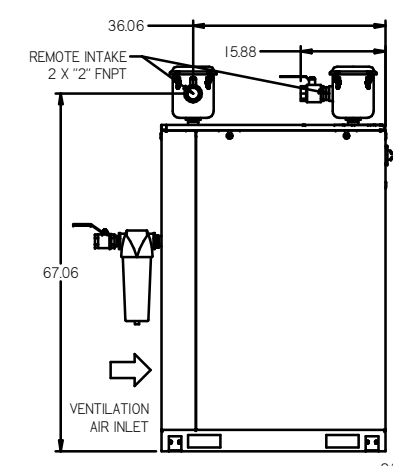
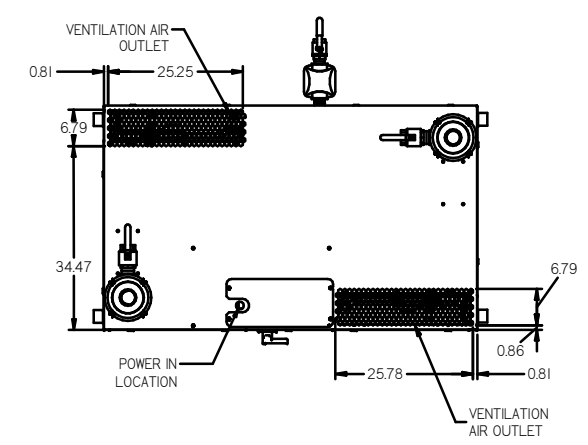
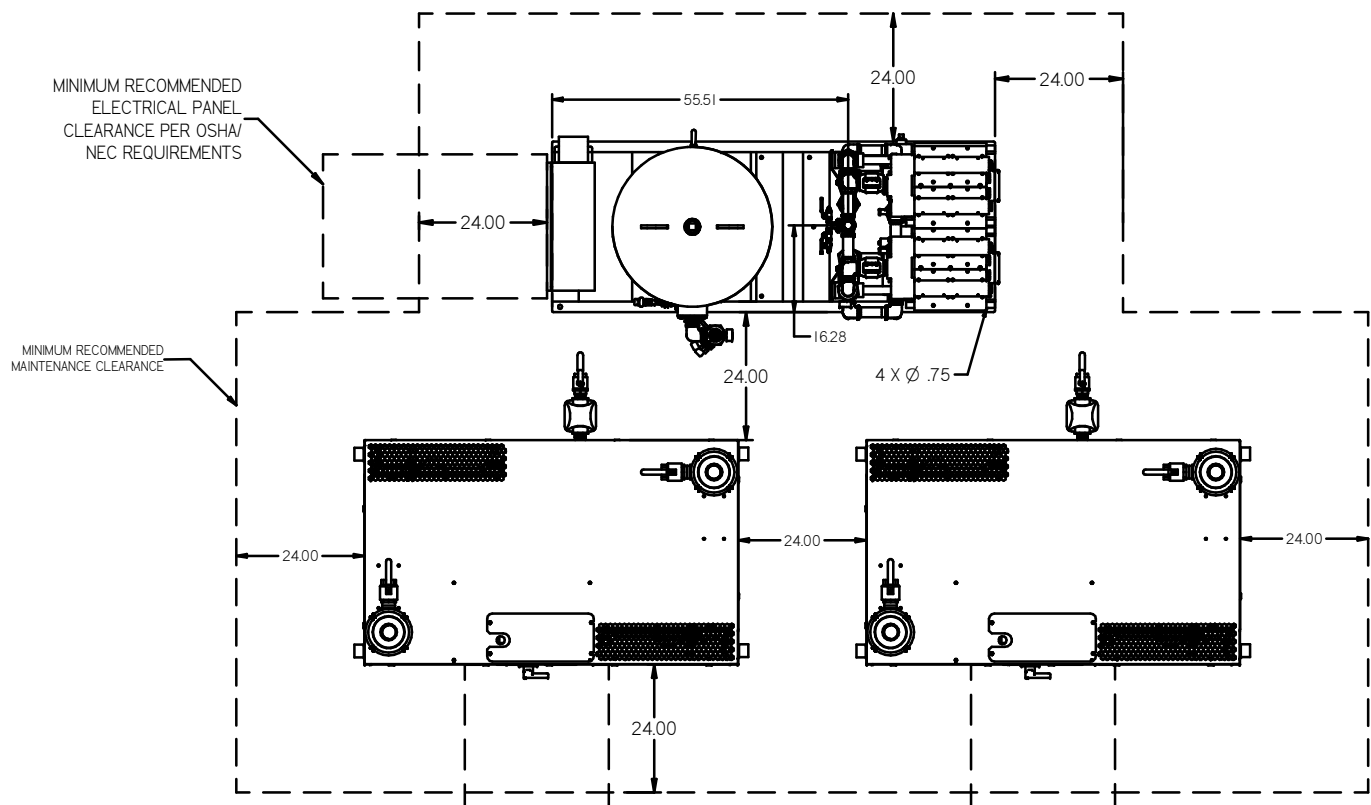


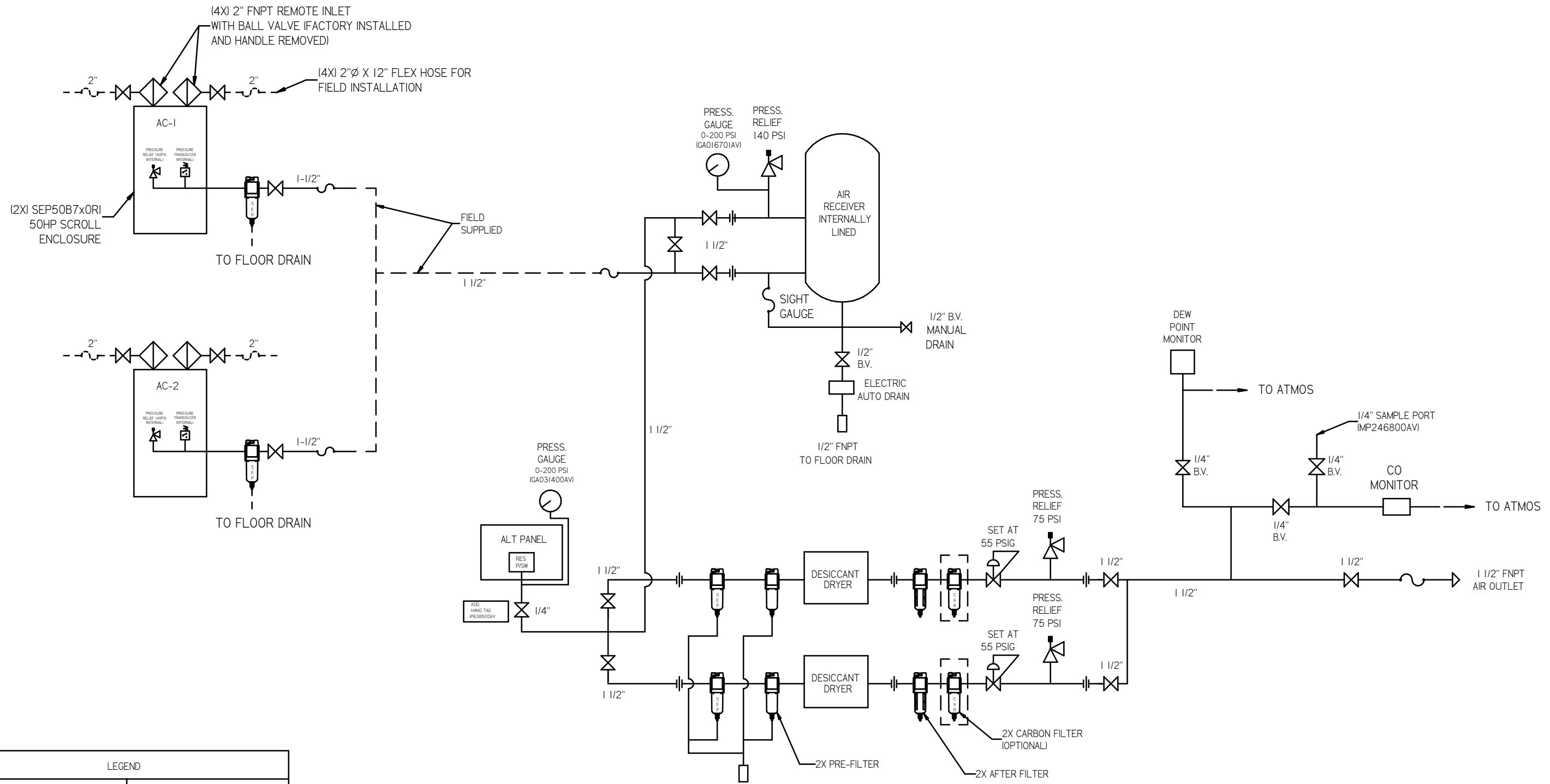
REV	ZONE	REVISION	DATE	ECN	NAME	DRKD
B	ALL	RELEASED FOR PRODUCTION	12/8/16		RK	JA
B-2	ALL	ADDED SEP. CORR. ALT. PNL. DRYER AND NOTES CORRECTED FLOW	12/8/17		PRECO2018	GES
C	ALL	CHANGED TO TROCKEN DRYERS, MORGANTON TANK	5/27/19		PRECO2021	GES



- NOTES
- 1) SHEET 1, UNIT LAYOUT.
  - 2) SHEET 2, UNIT FLOW SCHEMATIC.
  - 3) INLET CONNECTIONS: 2" FNPT X 4.
  - 4) SYSTEM OUTLET CONNECTION: 1 1/2" FNPT X 1.
  - 5) POWER CONNECTION EACH ENCLOSURE: 1-230, OR 480 VOLT, ALTERNATION PANEL: 115V
  - 6) WHEN PACKAGE IS INSTALLED INTO THE FACILITY, VERIFY THE INSTALLER REFERENCES TABLE 110.26 (A) (I) FOR MINIMUM WORKING AREA.
  - 7) DIRECTION OF INTAKE CONNECTIONS MAY BE MODIFIED AT INSTALLATION BY ADJUSTING PIPE THREAD CONNECTIONS.

<b>SYMBOL LEGEND</b> ⊖ = MINUS DRAFT ⊕ = PLUS DRAFT ⊗ = ADDITIONAL CONTROL REQ'D ⊘ = BRINELL HARDNESS	Drawings to conform to the current revision of the following ANSI standards: Y14.3 Multi and sectional view dgs. Y14.9 Dimensioning and tolerancing
TOLERANCES NOT SPECIFIED XX ± 0.10 XXX ± 0.05 Z (REF.) ± .01	AUTOCAD LT 2014 DO NOT SCALE DRAWING FOR DIMENSIONS Sheet 1 of 2 SCALE 1:18
CONFIDENTIAL DISCLOSURE This drawing is the property of POWEREX, INC. or THE SCOTT FETZER COMPANY and subject to return on demand. Its contents are confidential and must not be copied or submitted to outside parties for use or inspection.	DRAWN BY: RK CHECKED BY: JA APPROVED BY: JA DATE: 12/9/16
MATERIAL: N/A PART NAME: MEDICAL SCROLL ENCLOSED DWG NO: DUXPLX 50HP 240G	 150 PRODUCTION DRIVE, HERRING, OHIO 43025 TEL: 614-294-2992 FAX: 614-294-2925 SIZE: D

REV	ZONE	REVISION	DATE	ECN	NAME	CHKD
B-1	ALL	RELEASE TO PRODUCTION	12/8/16		RK	JA
B-2	ALL	ADDED SEP. CORR. ALT. PANEL DRYER AND NOTES CORRECTED FLOW	1/26/17		PREC0180	GES
C	ALL	CHANGED TO TRIDENT DRYERS, MORGANTON TANK	5/27/18		PREC0229	GES



LEGEND	
	INTAKE FILTER
	AIR FILTER
	BALL VALVE
	CARBON FILTER
	DIVERTER VALVE
	REGULATOR
	CHECK VALVE
	SEPERATOR
	FLEX JOINT
	UNION

- NOTES:
- 1) SHEET 1, UNIT LAYOUT.
  - 2) SHEET 2, UNIT FLOW SCHEMATIC.
  - 3) INLET CONNECTIONS: 2" FNPT X 1.
  - 4) SYSTEM OUTLET CONNECTION: 1 1/2" FNPT X 1.
  - 5) POWER CONNECTION EACH ENCLOSURE: 1-230, OR 460 VOLT, ALTERNATION PANEL: 115V
  - 6) WHEN PACKAGE IS INSTALLED INTO THE FACILITY, VERIFY THE INSTALLER REFERENCES TABLE 110.26 (A) (I) FOR MINIMUM WORKING AREA.
  - 7) DIRECTION OF INTAKE CONNECTIONS MAY BE MODIFIED AT INSTALLATION BY ADJUSTING PIPE THREAD CONNECTIONS.

PER: 11/2/16 - = MINUS DRAFT + = PLUS DRAFT DIMENSIONS NOT SPECIFIED XX ± 0.10 XXX ± 0.05 (REG.) ± .3"	ADDITIONAL CONTROL REQ'D = BRINELL HARDNESS AUTOCAD LT 2014 INCH DO NOT SCALE DRAWING FOR DIMENSIONS Sheet 2 of 2 SCALE 1:18	Drawings to conform to the current revision of the following ANSI standards: Y14.3 Multi and sectional view drawing Y14.5M Dimensioning and tolerancing
CONFIDENTIAL DISCLOSURE This drawing is the property of POWEREX, LLC of the SCOTT FETZER COMPANY and subject to return on demand. Its contents are confidential and must not be copied or submitted to outside parties for use or examination.	DRAWN BY: RK CHECKED BY: JA 12/8/16 MATERIAL: N/A PART NAME: MEDICAL ENCLOSED SCROLL FLOW SCHEMATIC	APPROVED BY: JA 12/8/16 12/8/16 12/8/16 12/8/16  1000 Reseda Ln. Ste. 100, Van Nuys, CA 91411 Ph: 888-765-7979 Fax: (818) 367-3125
DWGNO: MSE D50B6 SIZE: D		