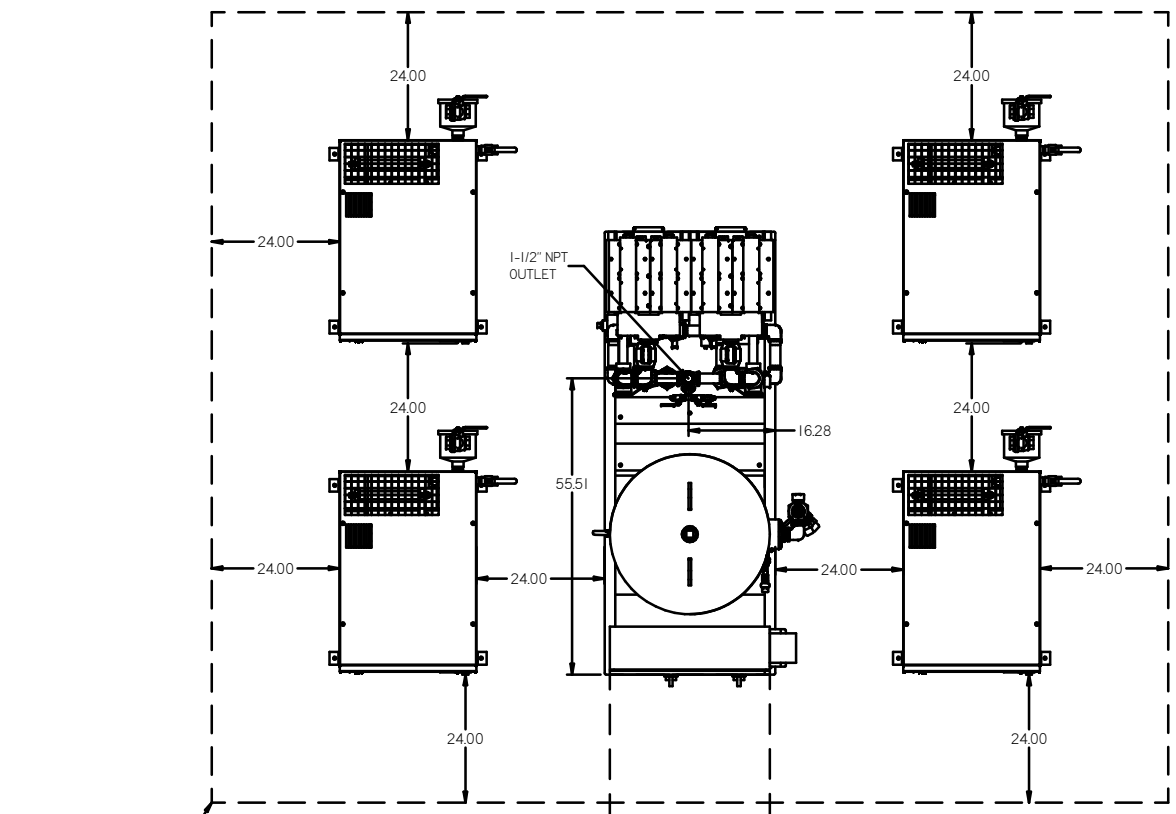
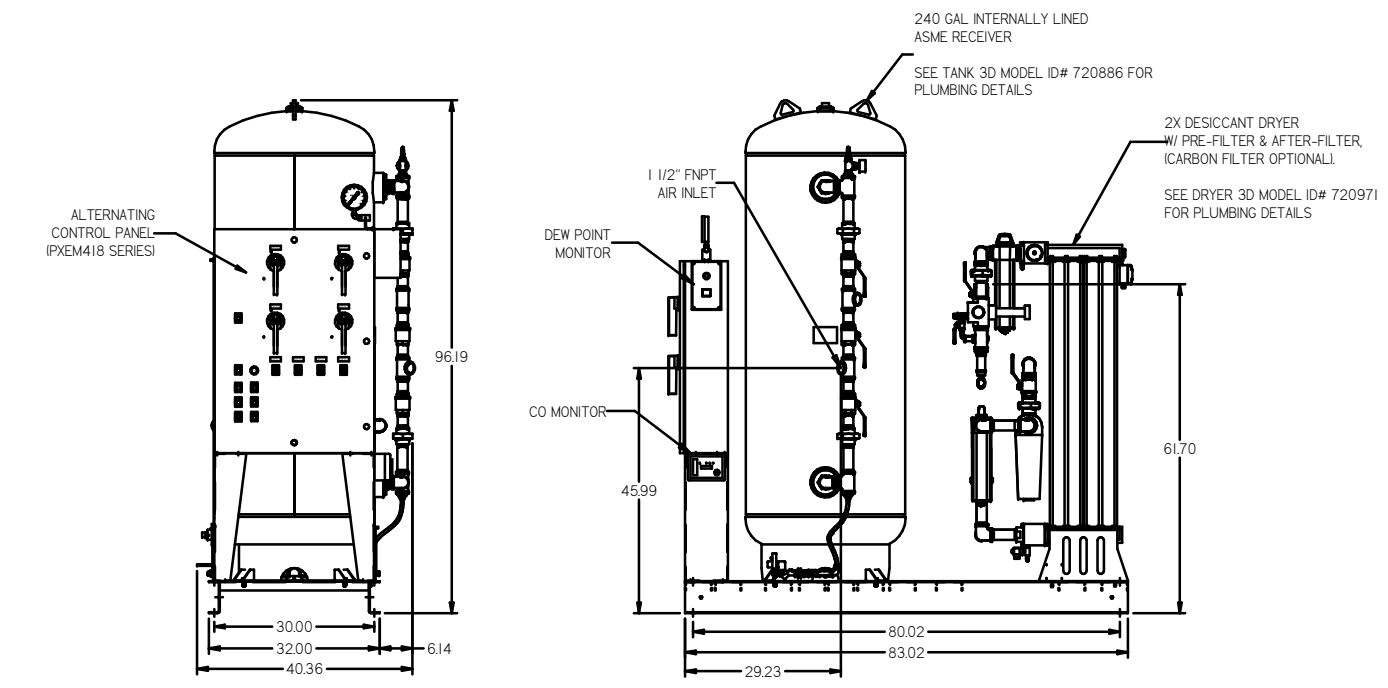


REV	ZONE	REVISION	DATE	ECH	NAME	CHKD
B-1	ALL	RELEASE TO PRODUCTION	07/11/07	21605	AEK	GES
C-1	ALL	UPDATED BUILD & FLOW TO CURRENT STANDARD	6/3/08	21906	AEK	GES
C-2	ALL	CORRECTED PLEET PLUMBING & ORIENTATION	10/23/08	21907	AEK	GES
D-1	1 ALL	UPDATED TO NEW ENCLOSURE DESIGN	8/22/10	22394	AEK	GES
E-1	1 ALL	CHANGED ATC SKID CONFIG FOR BETTER SERVICEABILITY	8/24/10	22348	AEK	GES
F-1	1 ALL	UPDATED ATC SKID FRAME	7/29/11	22546	AEK	GES
F-2	1 BA	MOVED FILTER CALL-OUTS TO DRYER CALL-OUT	8/19/11	22546	AEK	GES
G-1	1 ALL	UPDATED TO HANO DRYERS	8/10/17	PRE02174	AEK	GES
H	ALL	CHANGED TO TRENT DRYERS MORGANTON TANK	8/8/19	PRE02291	AEK	MHI



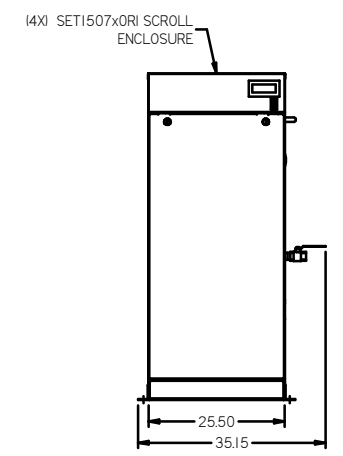
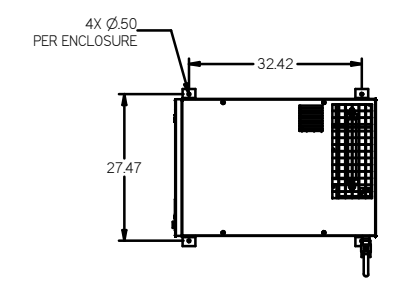
MINIMUM RECOMMENDED MAINTENANCE CLEARANCE

MINIMUM RECOMMENDED ELECTRICAL PANEL CLEARANCE PER OSHA/NEC REQUIREMENTS

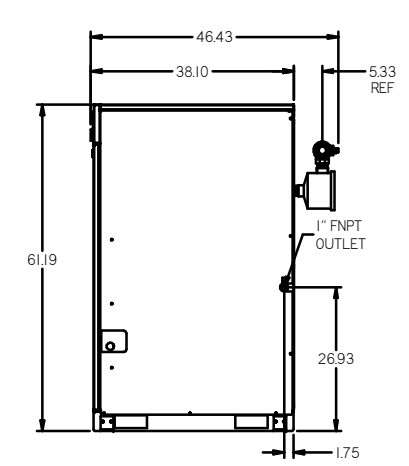


FRONT VIEW (TANK/DRYER SKID)

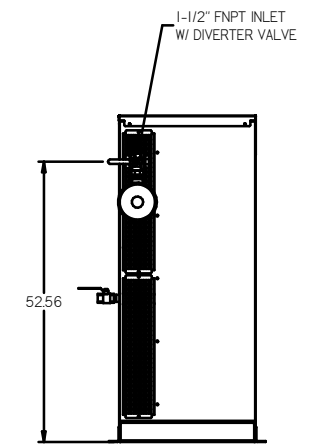
RIGHT VIEW (TANK/DRYER SKID)



FRONT VIEW (SCROLL ENCLOSURE)



RIGHT VIEW (SCROLL ENCLOSURE)



REAR VIEW (SCROLL ENCLOSURE)

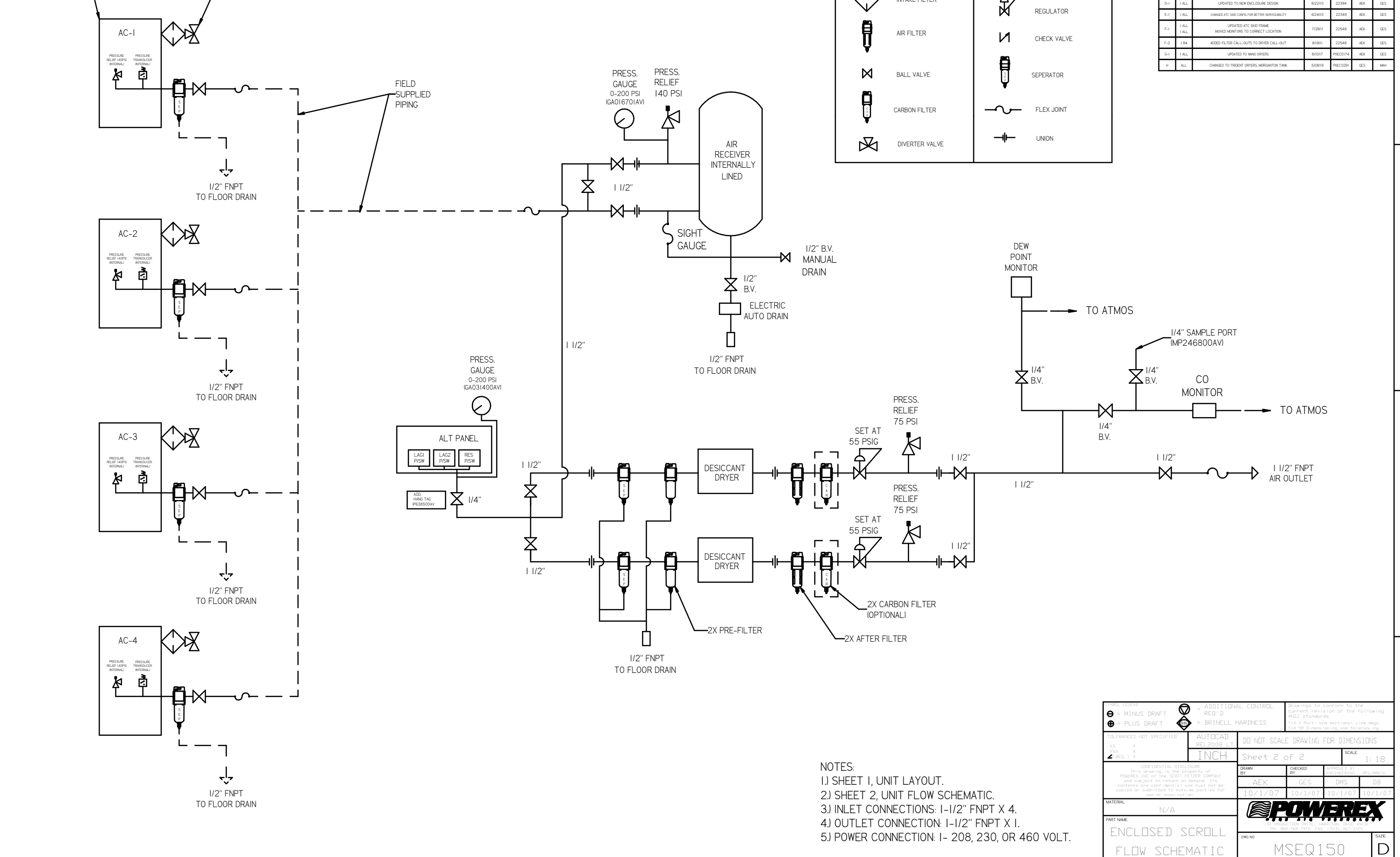
- NOTES:
- 1) SHEET 1, UNIT LAYOUT.
 - 2) SHEET 2, UNIT FLOW SCHEMATIC.
 - 3) INLET CONNECTIONS: 1-1/2" FNPT X 4.
 - 4) OUTLET CONNECTION: 1-1/2" FNPT X 1.
 - 5) POWER CONNECTION: 1- 208, 230, OR 460 VOLT.
 - 6) WHEN PACKAGE IS INSTALLED INTO THE FACILITY, VERIFY THE INSTALLER REFERENCES NEC TABLE 110.26 (A) (I) FOR MINIMUM WORKING AREA.

SYMBOL LEGEND ⊖ = MINUS DRAFT ⊕ = PLUS DRAFT HRC = ADDITIONAL CONTROL REQ'D HB = BRINELL HARDNESS		Drawings to conform to the current revision of the following ANSI standards: Y14.3 Multi and sectional view dsgs. Y14.99 Dimensioning and tolerancing	
TOLERANCES NOT SPECIFIED XX ± .0008 .005 ± .0008 .010 ± .0008 .015 ± .0008 .020 ± .0008 .030 ± .0008 .040 ± .0008 .050 ± .0008 .060 ± .0008 .070 ± .0008 .080 ± .0008 .090 ± .0008 .100 ± .0008 .120 ± .0008 .150 ± .0008 .200 ± .0008 .250 ± .0008 .300 ± .0008 .375 ± .0008 .450 ± .0008 .500 ± .0008 .625 ± .0008 .750 ± .0008 .875 ± .0008 1.000 ± .0008 1.250 ± .0008 1.500 ± .0008 1.750 ± .0008 2.000 ± .0008 2.500 ± .0008 3.000 ± .0008 3.750 ± .0008 4.500 ± .0008 5.000 ± .0008 6.000 ± .0008 7.000 ± .0008 8.000 ± .0008 9.000 ± .0008 10.000 ± .0008 12.000 ± .0008 15.000 ± .0008 20.000 ± .0008 25.000 ± .0008 30.000 ± .0008 35.000 ± .0008 40.000 ± .0008 45.000 ± .0008 50.000 ± .0008 60.000 ± .0008 70.000 ± .0008 80.000 ± .0008 90.000 ± .0008 100.000 ± .0008 120.000 ± .0008 150.000 ± .0008 200.000 ± .0008 250.000 ± .0008 300.000 ± .0008 350.000 ± .0008 400.000 ± .0008 450.000 ± .0008 500.000 ± .0008 600.000 ± .0008 700.000 ± .0008 800.000 ± .0008 900.000 ± .0008 1000.000 ± .0008		AUTOCAD RELEASE 1.1 INCH DO NOT SCALE DRAWING FOR DIMENSIONS Sheet 1 of 2 SCALE 1:18	
CONFIDENTIAL: This drawing is the property of POWEREX, INC. of the SCOTT FETZER COMPANY and subject to return or demand. Its contents are confidential and must not be copied or admitted to outside parties for use or examination.		DRAWN BY: AEK CHECKED BY: GES APPROVED BY: DMS, DB 10/1/07 10/1/07 10/1/07 10/1/07	
MATERIAL: N/A		POWEREX 150 PRODUCTION DRIVE, HARRISBURG, OHIO 45030 (614) 488-7979 FAX: (614) 488-3125	
PART NAME: MEDICAL SCROLL 15HP QUADPLEX		ORGNO: MSEQ150 SIZE: D	

8 7 6 5 4 3 2 1

4X) SET1507x0R1 SCROLL ENCLOSURE

4X) 1-1/2" FNPT REMOTE INLET W/ DIVERTER VALVE



LEGEND

	INTAKE FILTER		REGULATOR
	AIR FILTER		CHECK VALVE
	BALL VALVE		SEPERATOR
	CARBON FILTER		FLEX JOINT
	DIVERTER VALVE		UNION

REV	ZONE	REVISION	DATE	ECN	NAME	CHKD
B-1	ALL	RELEASE TO PRODUCTION	10/1/07		AEK	GES
C-1	ALL	UPDATED BUILD & FLOW TO CURRENT STANDARD	6/3/08		AEK	GES
C-2	ALL	CORRECTED INLET PLUMBING & ORIENTATION	10/23/08		AEK	GES
D-1	1	UPDATED TO NEW ENCLOSURE DESIGN	6/22/10		AEK	GES
E-1	1	CHANGED ATC SKID COMP FOR BETTER SERVICEABILITY	6/24/10		AEK	GES
F-1	1	UPDATED ATC SKID FRAME MOVED MONITORS TO CORRECT LOCATION	7/29/11		AEK	GES
F-2	1	ADDED FILTER CALL-OUTS TO DRYER CALL-OUT	8/8/11		AEK	GES
G-1	1	UPDATED TO NEW DRYERS	8/10/17		AEK	GES
H	ALL	CHANGED TO TROENT DRYERS, MORGANTON TANK	5/08/19		AEK	MMH

- NOTES:
- 1) SHEET 1, UNIT LAYOUT.
 - 2) SHEET 2, UNIT FLOW SCHEMATIC.
 - 3) INLET CONNECTIONS: 1-1/2" FNPT X 4.
 - 4) OUTLET CONNECTION: 1-1/2" FNPT X 1.
 - 5) POWER CONNECTION: 1- 208, 230, OR 460 VOLT.

SYMBOL LEGEND	<ul style="list-style-type: none"> ⊖ = MINUS DRAFT ⊕ = PLUS DRAFT ⊖ = ADDITIONAL CONTROL REQ'D ⊕ = BRINELL HARDNESS 	Drawings to conform to the current revision of the following ASME standards: Y14.3 Multi and sectional view dgs. Y14.9 Dimensioning and tolerancing
TOLERANCES NOT SPECIFIED	AUTOCAD RELEASE 1.1	DO NOT SCALE DRAWING FOR DIMENSIONS
XX ±	INCH	Sheet 2 of 2
XY ±		SCALE 1:18
Z (REL.) ±		
CONFIDENTIAL DISCLOSURE This drawing is the property of POWEREX, INC. of the SCOTT PETERZ COMPANY and subject to return on demand. Its contents are confidential and must not be copied or submitted to outside parties for use or reproduction.		DRAWN BY: AEK CHECKED BY: GES APPROVED BY: DMS DATE: 10/1/07 DATE: 10/1/07 DATE: 10/1/07
MATERIAL: N/A		
PART NAME: ENCLOSED SCROLL FLOW SCHEMATIC	ENG NO: MSEQ150 SIZE: D	

8 7 6 5 4 3 2 1