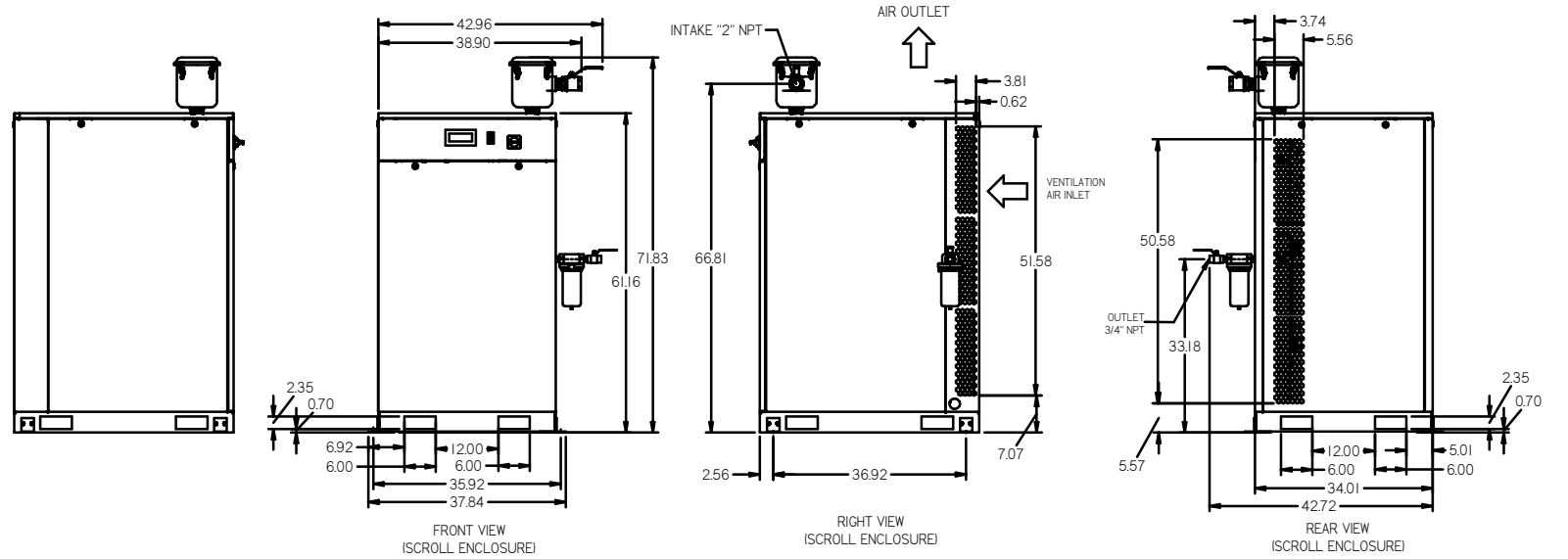
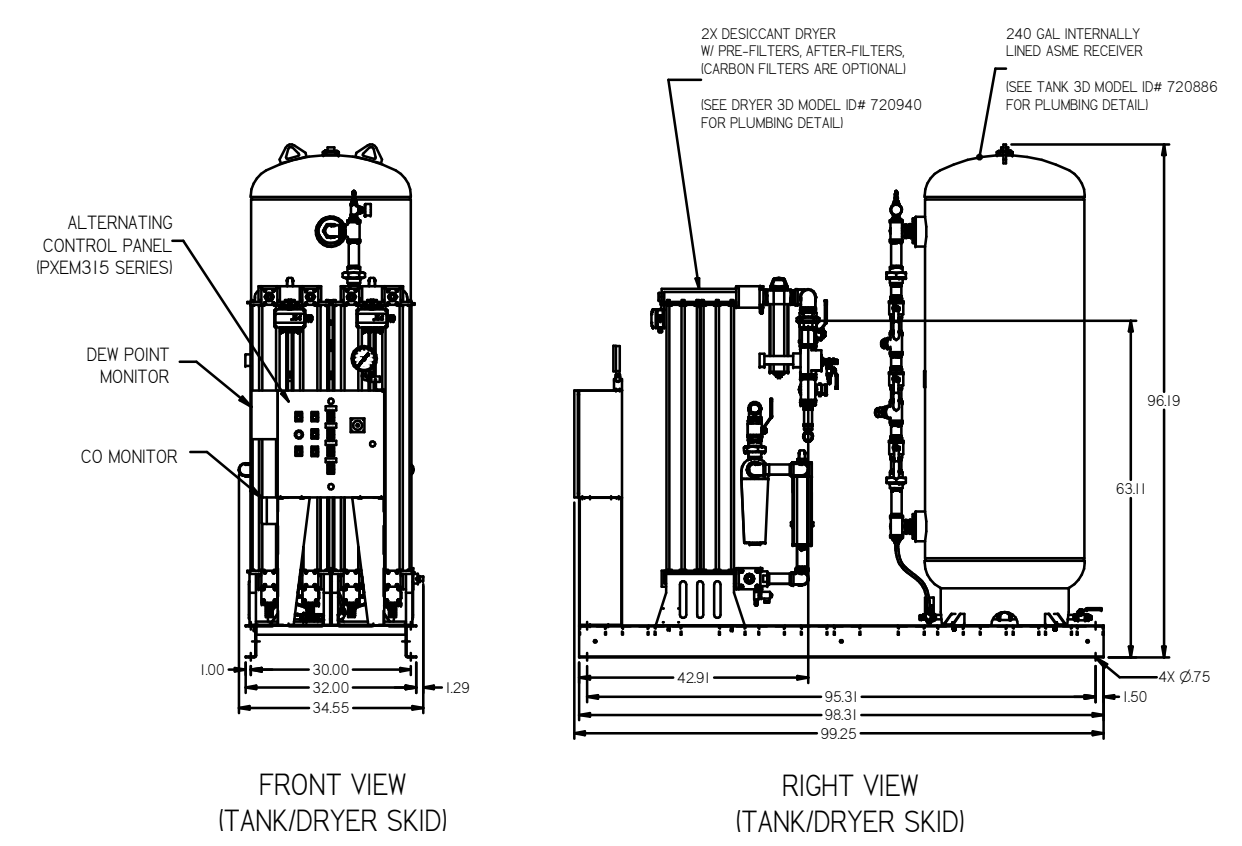
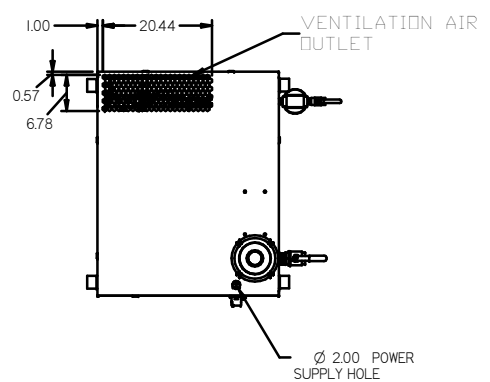
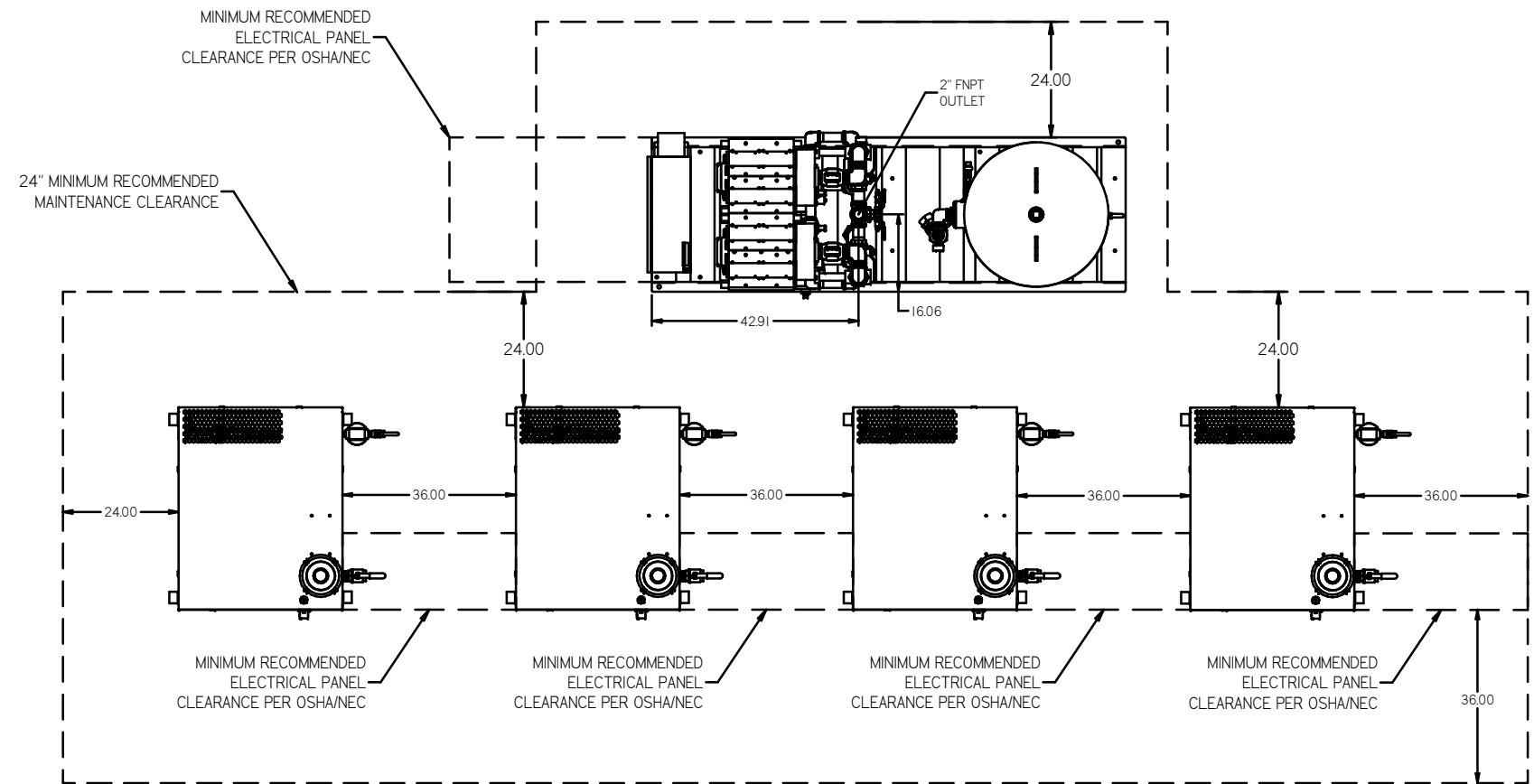


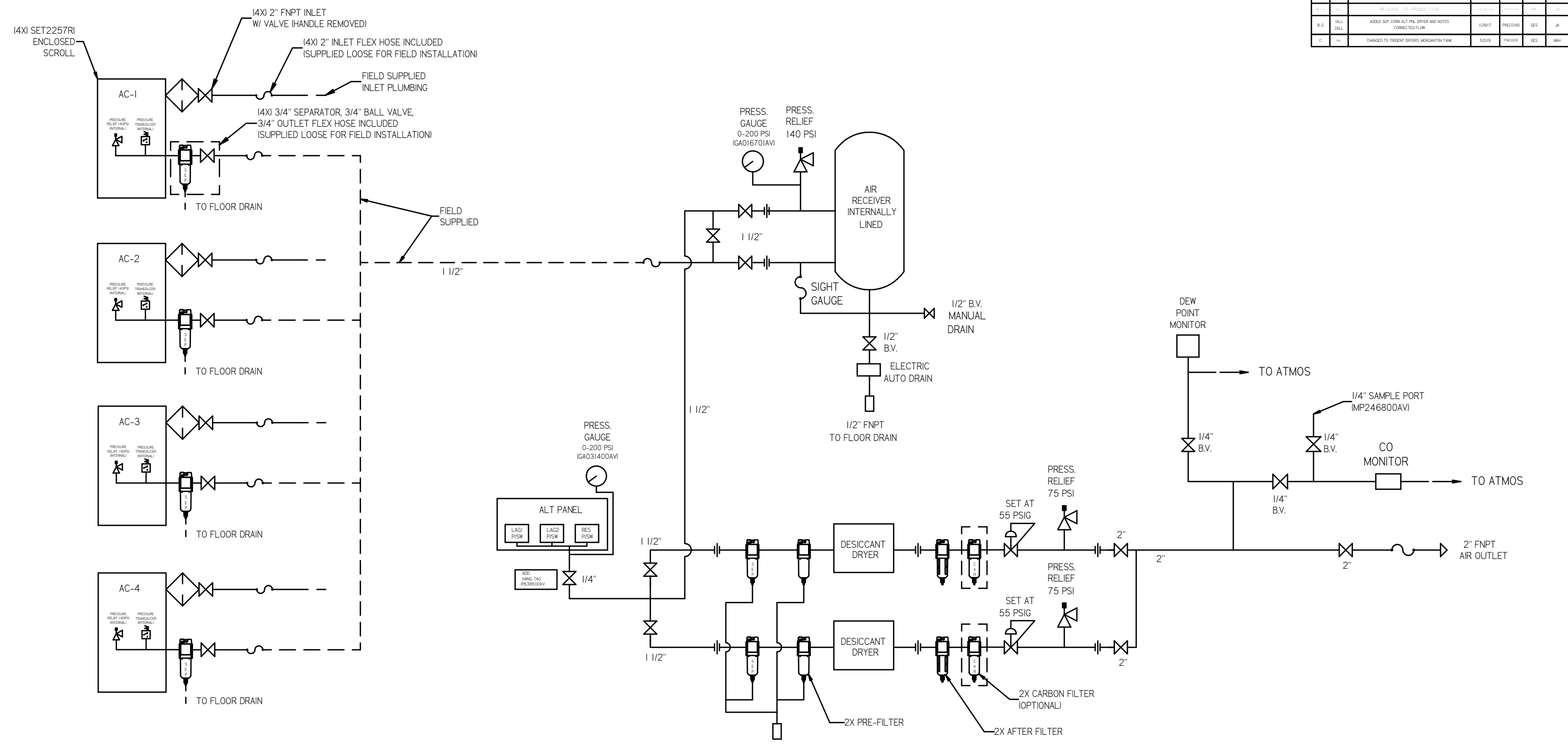
REV	ZONE	REVISION	DATE	ECN	NAME	CHKD
B-1	ALL	RELEASE TO PRODUCTION	12/8/16		RK	JA
B-2	ALL	ADDED SEP. COOL. ALT. PAL. DRYER AND NOTES CORRECTED FLOW	1/26/17		PRECORRO	GES
C	ALL	CHANGED TO TRENDS DRYERS, MORGANTON TANK	5/2/19		PRECORRO	GES



- NOTES
- 1) SHEET 1, UNIT LAYOUT.
  - 2) SHEET 2, UNIT FLOW SCHEMATIC.
  - 3) INLET CONNECTIONS: 2" FNPT X 4.
  - 4) SYSTEM OUTLET CONNECTION: 2" FNPT X 1.
  - 5) POWER CONNECTION EACH ENCLOSURE: 1-230, OR 460 VOLT, ALTERNATION PANEL: 115V
  - 6) WHEN PACKAGE IS INSTALLED INTO THE FACILITY, MAKE SURE THAT THE INSTALLER REFERENCES TABLE 110.26 (A) (II) FOR MINIMUM WORKING AREA.
  - 7) DIRECTION OF INTAKE CONNECTIONS MAY BE MODIFIED AT INSTALLATION BY ADJUSTING PIPE THREAD CONNECTIONS.

PER: 10/2016 MINUS DRAFT PLUS DRAFT UNLESS NOT SPECIFIED AUTOCAD LT 2014 INCH SHEET OF 2 SCALE 1:18 DO NOT SCALE DRAWING FOR DIMENSIONS 12/8/16 12/8/16 12/8/16 12/8/16 POWEREX MEDICAL SCROLL 22.5HP QUADPLEX MSEQ2256	ADDITIONAL CONTROL REQ'D BRINELL HARDNESS DRAWING TO CONFORM TO THE CURRENT REVISION OF THE FOLLOWING STANDARDS: ASME B1.3.1 Multi and sectional view symbols ASME B1.3.2 Dimensioning and tolerancing DESIGNER: RK CHECKED BY: JA APPROVED BY: JA DATE: 12/8/16 DATE: 12/8/16 DATE: 12/8/16 DATE: 12/8/16 POWEREX 11000 PH: 888-769-7979 FAX: (513) 367-9125 SIZE: D
--	--

REV	ZONE	REVISION	DATE	ECN	NAME	QHD
B-1	ALL	RELEASE TO PRODUCTION	12/8/16		RK	JA
B-2	ALL	ADDED SEP CORR ALT PNL DRYER AND NOTES CORRECTED FLOW	1/26/17		PRECOR	GES
C	ALL	CHANGED TO TROENT DRYERS MORGANTON TANK	5/2/19		PRECOR	GES



LEGEND	
	INTAKE FILTER
	AIR FILTER
	BALL VALVE
	CARBON FILTER
	REGULATOR
	SEPERATOR
	FLEX JOINT
	UNION

- NOTES:  
 1) SHEET 1, UNIT LAYOUT.  
 2) SHEET 2, UNIT FLOW SCHEMATIC.  
 3) INLET CONNECTIONS: 2" FNPT X 4.  
 4) SYSTEM OUTLET CONNECTION: 2" FNPT X 1.  
 5) POWER CONNECTION EACH ENCLOSURE: 1-230, OR 460 VOLT, ALTERNATION PANEL: 115V  
 6) WHEN PACKAGE IS INSTALLED INTO THE FACILITY, MAKE SURE THAT THE INSTALLER REFERENCES TABLE 110.26 (A) III FOR MINIMUM WORKING AREA.  
 7) DIRECTION OF INTAKE CONNECTIONS MAY BE MODIFIED AT INSTALLATION BY ADJUSTING PIPE THREAD CONNECTIONS.

TOLERANCES NOT SPECIFIED XX ± .010 XXX ± .005 2 DEC. 3-12"	AUTOCAD LT 2014 INCH	DO NOT SCALE DRAWING FOR DIMENSIONS Sheet 2 of 2 SCALE 1:18
CONFIDENTIAL DISCLOSURE This drawing is the property of POWEREX, INC. of the SCOTT FELZER COMPANY and subject to patent or demand. Its contents are confidential and must not be copied or submitted to outside parties for use or examination.		Drawings to conform to the current revision of the following ANSI standards: Y14.3 Multi and sectional view dsgs. Y14.99 Dimensioning and tolerancing
MATERIAL: N/A PART NAME: ENCLOSED SCROLL FLOW SCHEMATIC		Drawn BY: RK Checked BY: JA 12/8/16  MSEQ2256 SIZE: D