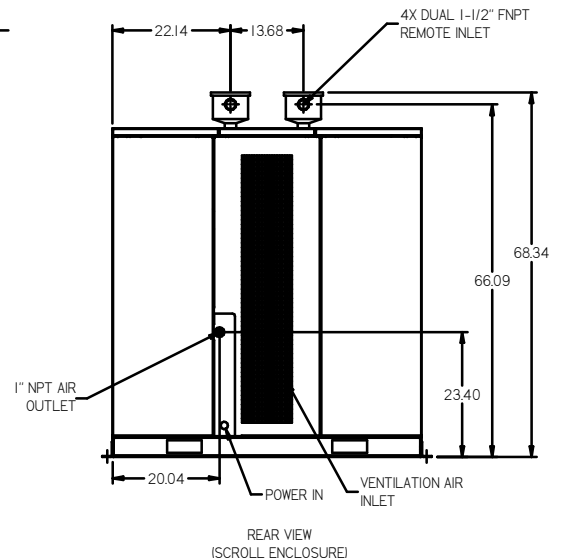
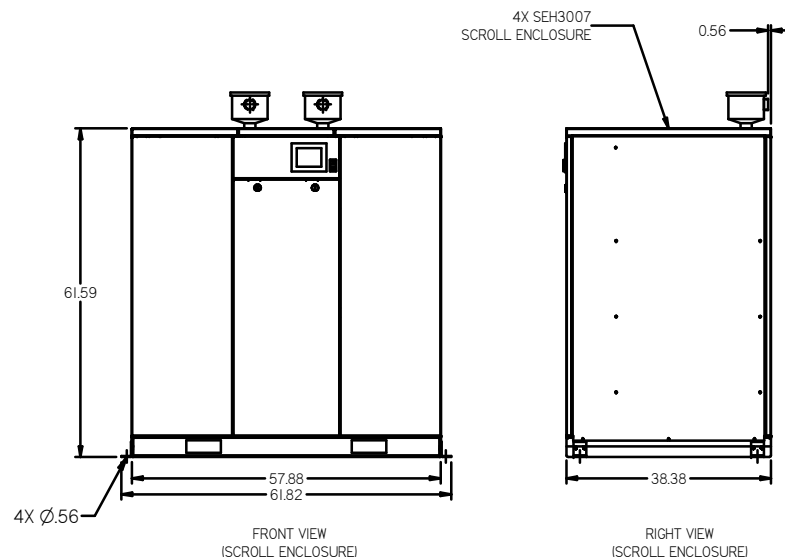
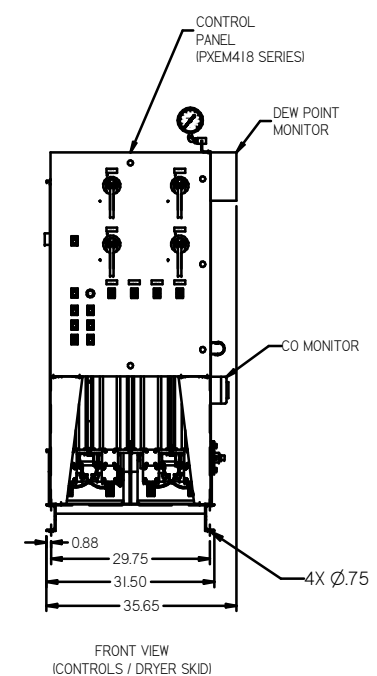
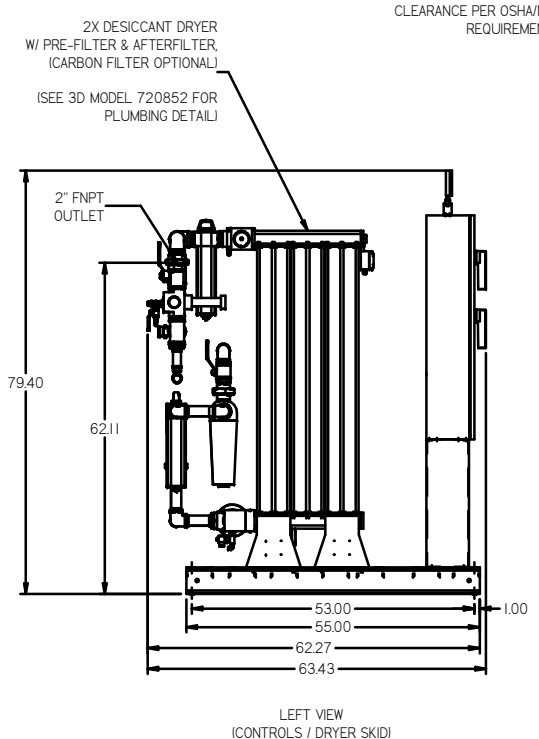
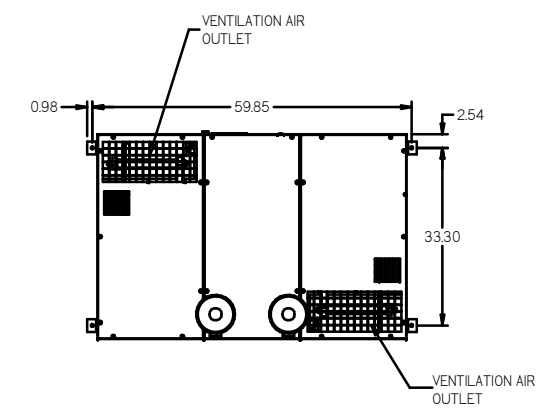
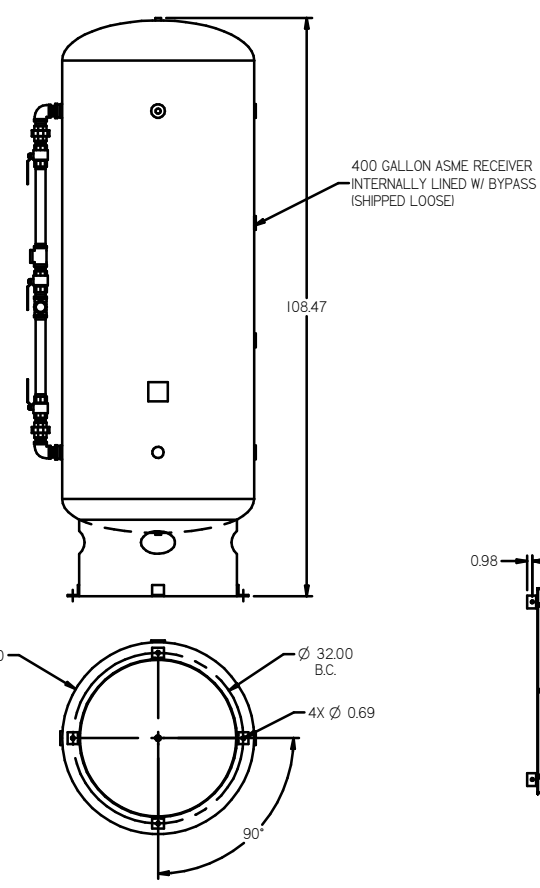
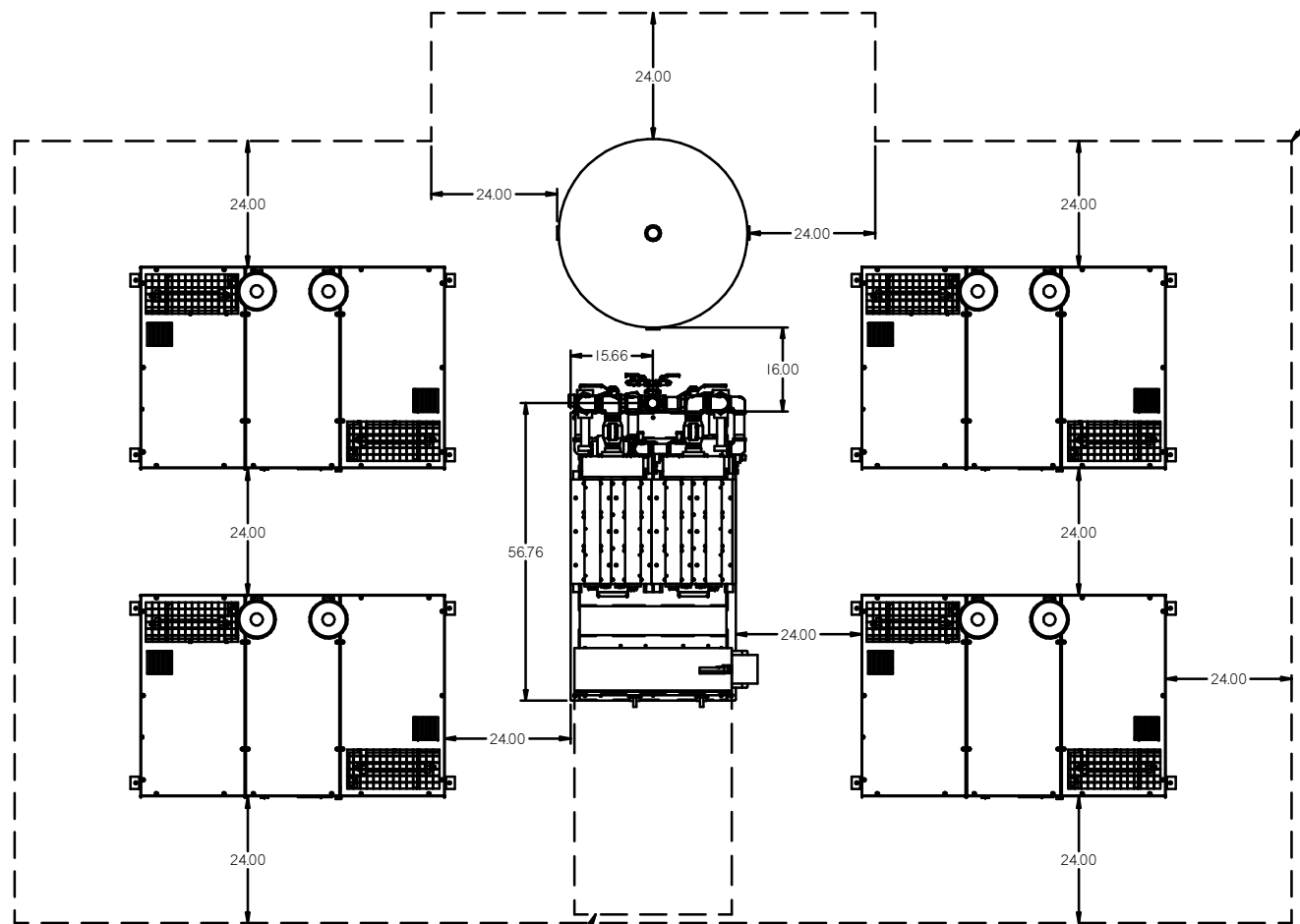


REV	ZONE	REVISION	DATE	ECN	NAME	CHKD
W-1	ALL	RELEASE TO PRODUCTION	10/13/07		AEK	GES
B-1	ALL	RELEASE TO PRODUCTION	10/15/07		AEK	GES
C-1	ALL	UPDATED BUILD & FLOW TO CURRENT STANDARD	09/08		AEK	GES
C-2	ALL	CORRECTED INLET DETAILS	9/25/08		AEK	GES
D-1	1 ALL 2 ALL	UPDATED PANEL AND MONITORS ADDED DRIP LEGS	02/10		AEK	GES
E-1	ALL	UPDATED TO POWEREX SKI ENCLOSURE	03/11		AEK	GES
F-1	1 B6	ADDED FILTER CALL-OUTS TO DRYER CALL-OUT	01/01		AEK	GES
G-1	1 ALL	UPDATED TO HINO DRIVERS	08/17		AEK	GES
H	ALL	UPDATED TO TRIDENT DRIVERS, TC	02/19		AEK	SJA

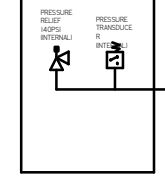


NOTES:
 1) SHEET 1, UNIT LAYOUT.
 2) SHEET 2, UNIT FLOW SCHEMATIC.
 3) INLET CONNECTIONS: 1-1/2" FNPT X 8.
 4) OUTLET CONNECTION: 2" FNPT X 1.
 5) POWER CONNECTION: 1- 208, 230, OR 460 VOLT.
 6) WHEN PACKAGE IS INSTALLED INTO THE FACILITY, MAKE SURE THAT THE INSTALLER REFERENCES TABLE 110.26 (A) (I) FOR MINIMUM WORKING AREA.

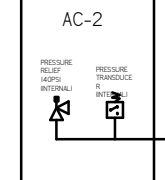
SYMBOL LEGEND ⊖ = MINUS DRAFT ⊕ = PLUS DRAFT 4 REG. 1	= ADDITIONAL CONTROL REQ'D = BRINELL HARDNESS	Drawings to conform to the current revision of the following ANSI standards: Y14.3 Multi and sectional view dsgs. Y14.9 Dimensioning and tolerancing
TOLERANCES NOT SPECIFIED XX = YY = ZZ =	AUTOCAD REL#008 1.1 INCH	DO NOT SCALE DRAWING FOR DIMENSIONS Sheet 1 of 2 SCALE 1:18
CONFIDENTIAL DISCLOSURE This drawing is the property of POWEREX, INC. or the SCOTT FETZER COMPANY and subject to return on demand. Its contents are confidential and must not be copied or submitted to outside parties for use or examination.	DRAWN BY: AEK CHECKED BY: GES MATERIAL: N/A PART NAME: MEDICAL SCROLL 30HP QUADPLEX DWG NO: MSEQ300	APPROVED BY: DMS DATE: 10/10/07 DATE: 10/10/07 DATE: 10/10/07 DATE: 10/10/07 POWEREX SIZE: D

4X SEH3007
SCROLL ENCLOSURE

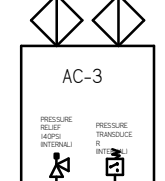
AC-1



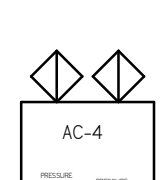
AC-2



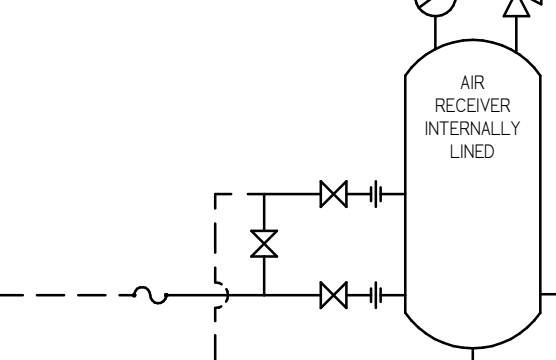
AC-3



AC-4

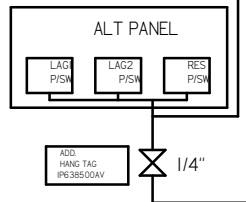


FIELD SUPPLIED
PIPING



FIELD SUPPLIED
PIPING

PRESS. GAUGE
0-200 PSI
IGA031400AVI



DESICCANT DRYER

DESICCANT DRYER

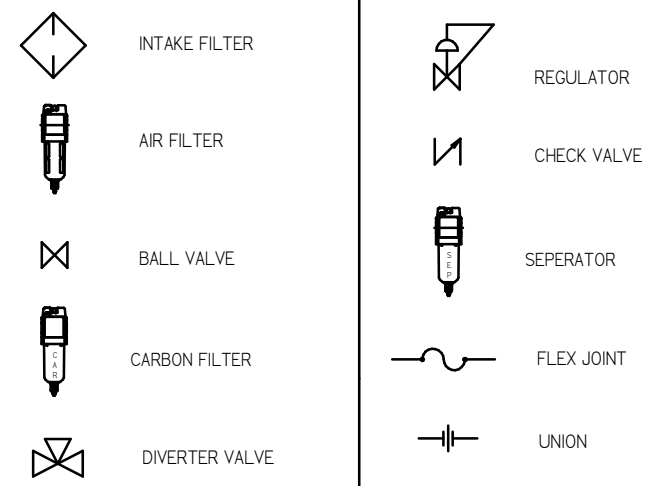
2X CARBON FILTER
(OPTIONAL)

2X PRE-FILTER

PRESS. RELIEF
75 PSI

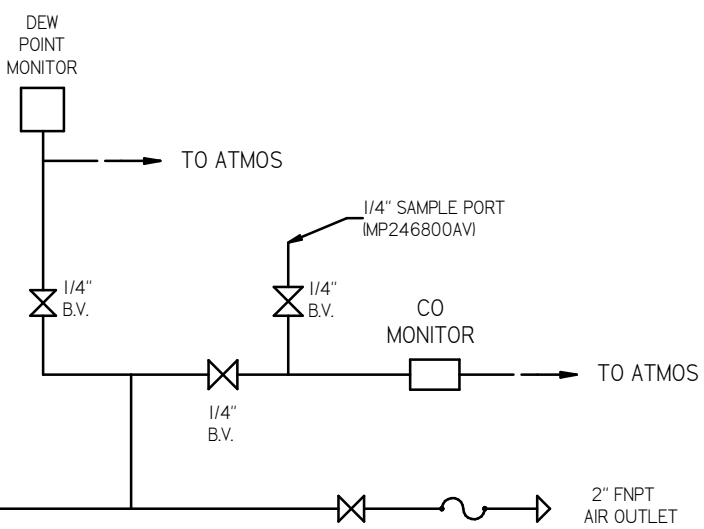
PRESS. RELIEF
75 PSI

LEGEND



REV	ZONE	REVISION	DATE	ECN	NAME	CHKD
0-1	ALL	RELEASE FOR SUBMITTAL	10/10/07	1460	AEK	GES
B-1	ALL	RELEASE TO PROJ ADD TOP AND REAR VIEWS	10/15/07	21669	AEK	GES
C-1	ALL	UPDATED BUILD & FLOW TO CURRENT STANDARD	6/6/08	21907	AEK	GES
C-2	ALL	CORRECTED INLET DETAILS	8/25/08	21907	AEK	GES
D-1	1 ALL 2 ALL	UPDATED PANEL AND MONITORS ADDED DRIP LEGS	8/24/10	22348	AEK	GES
E-1	ALL	UPDATED TO POWEREX SEH ENCLOSURE	5/9/11	22394	AEK	GES
F-1	1 BB	ADDED FILTER CALL-OUTS TO DRYER CALL-OUT	8/18/11	22546	AEK	GES
G-1	1 ALL	UPDATED TO NANO DRIVERS	9/18/17	PRE00174	AEK	GES
H	ALL	UPDATED TO TRIENT DRIVERS, TC	4/26/19	PRE03201	GES	SAJ

- NOTES:
 1.) SHEET 1, UNIT LAYOUT.
 2.) SHEET 2, UNIT FLOW SCHEMATIC.
 3.) INLET CONNECTIONS: 1-1/2" FNPT X 8.
 4.) OUTLET CONNECTION: 2" FNPT X 1.
 5.) POWER CONNECTION: 1- 208, 230, OR 460 VOLT.



TOLERANCES NOT SPECIFIED XX ± Z (NEG) ±	AUTOCAD REF: 2009-LT INCH	DO NOT SCALE DRAWING FOR DIMENSIONS Sheet 2 of 2 SCALE 1:18
MATERIAL N/A	DRAWN BY AEK	CHECKED BY GES
PART NAME ENCLOSED SCROLL FLOW SCHEMATIC	DATE 10/10/07	APPROVED BY ENGINEERING MFG/PRKTE DMS BB
ENC NO MSEQ300	SIZE D	