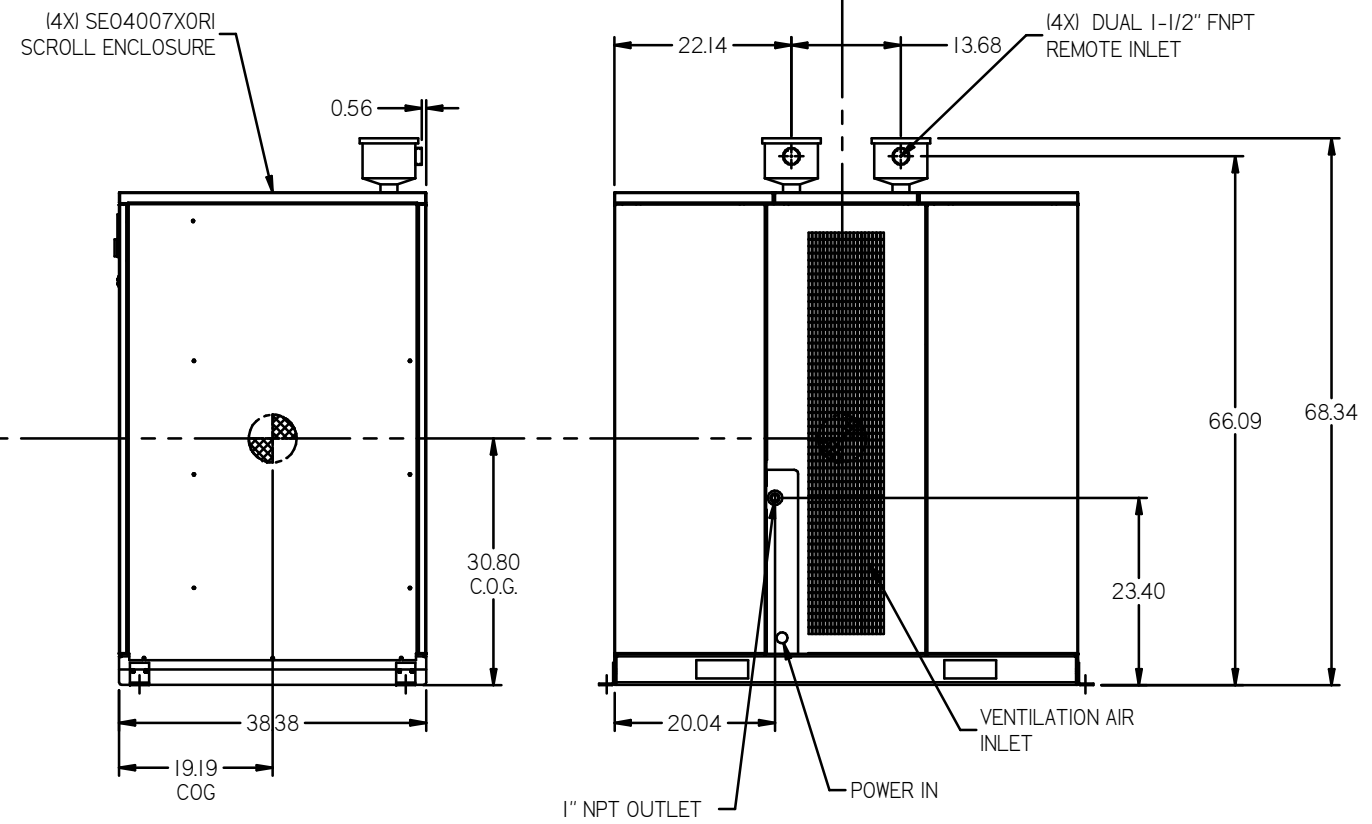
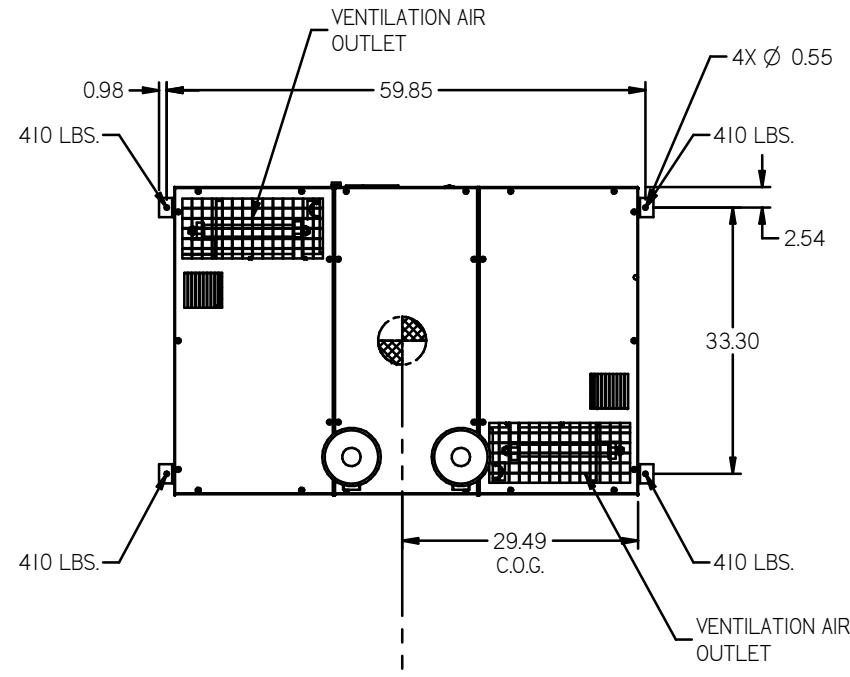


8 7 6 5 4 3 2 1

REV	ZONE	REVISION	DATE	ECN	NAME	CHKD
B-1	ALL	RELEASE FOR SUBMITTAL	10/10/07	1169	AEK	GES
B-1	ALL	UPDATED BUILD & FLOW TO CURRENT STANDARD	6/9/08	21907	AEK	GES
C-1	ALL	CORRECTED INLET DETAILS	9/25/08	21907	AEK	GES
D-1	1 ALL	UPDATED PANEL AND MONITORS	6/24/10	22348	AEK	GES
D-1	2 ALL	UPDATED FLOW TO CURRENT PRODUCTION	11/2/11	22548	AEK	GES
E-1	ALL	CORRECTED OUTLET PLUMBING TO 2-1/2" NPT	11/2/11	22548	AEK	GES
F-1	ALL	UPDATED TO POWEREX SEQ ENCLOSURE	5/9/11	22854	AEK	GES
G-1	1 BE	ADDED DRYER/FILTER CALL-OUT	8/18/11	22848	AEK	GES
H-1	ALL	ADDED SHEETS 3 THRU 5	6/15/12	22723	AEK	GES
H-1	ALL	ADDED CENTER OF GRAVITY INFORMATION				
H-1	ALL	RENUMBERED SHEETS				
J-1	3,4 ALL	UPDATED TO NANO DRIVERS	9/8/17	PXEC0174	AEK	GES
K	ALL	UPDATED TO TRIDENT DRIVERS, TC	7/26/19	PXEC0209	GES	MAH



INDICATES CENTER OF GRAVITY

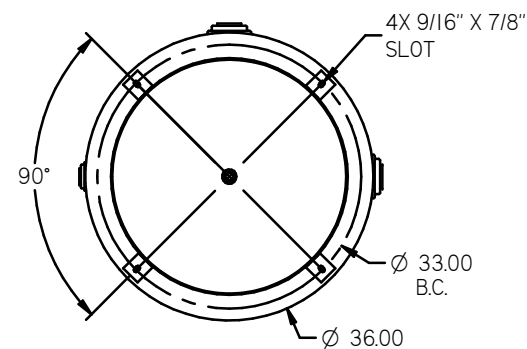
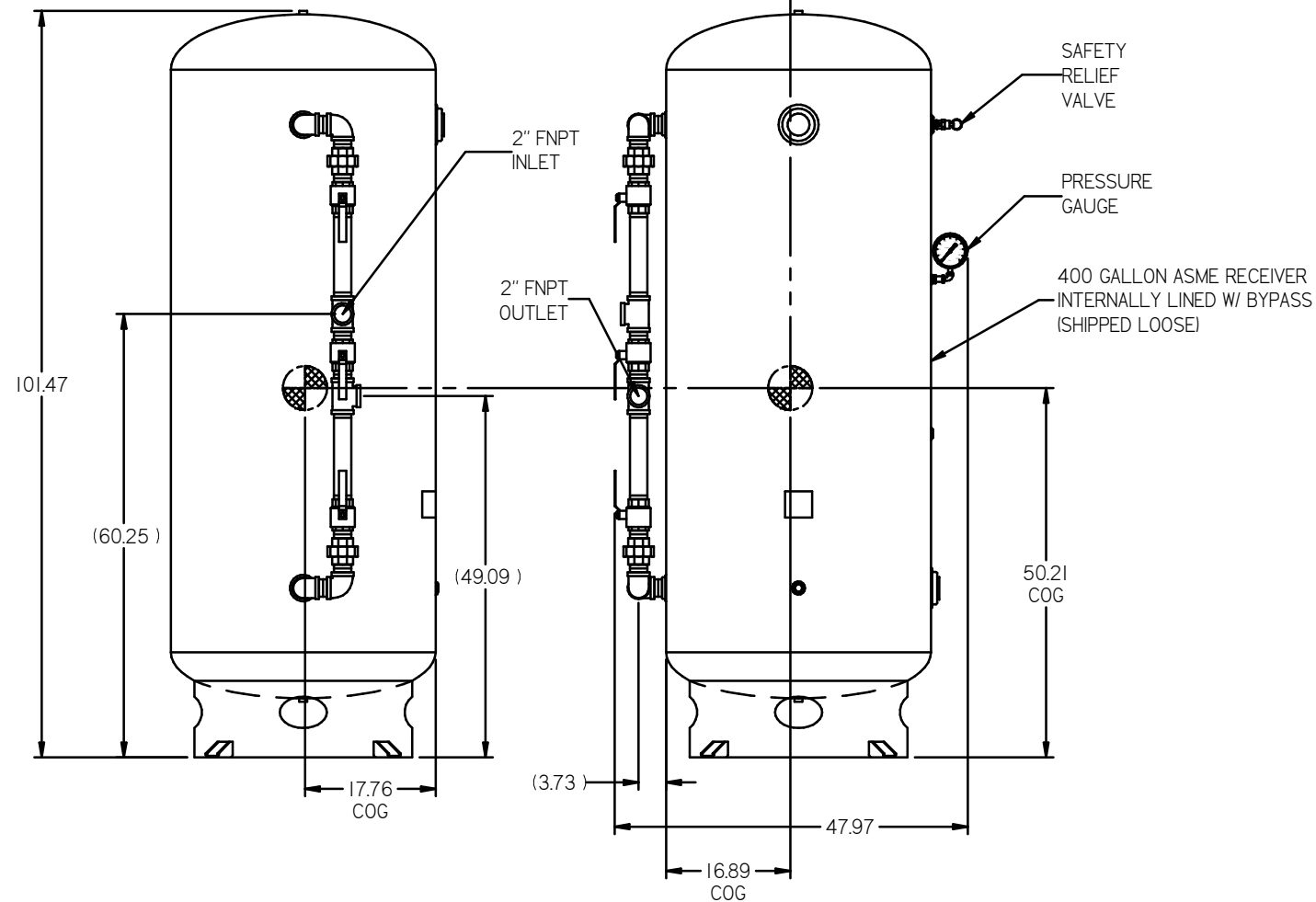
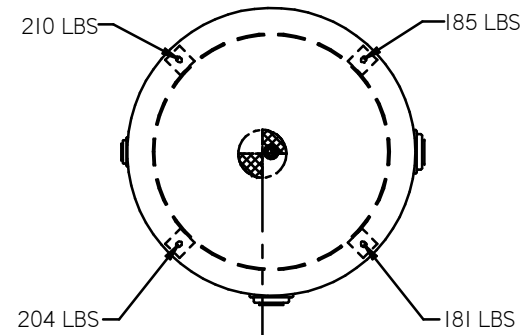
SE04007 SCROLL ENCLOSURE:
 TOTAL WEIGHT: 2000 LBS
 C.O.G. DIMENSIONS
 X (FRONT): -29.49"
 Y (RIGHT): 19.19"
 Z (HEIGHT): 30.81"

- NOTES:
- 1) SHEET 1 - SE04007X0R1 SCROLL ENCLOSURE LAYOUT
 SHEET 2 - RECEIVER LAYOUT
 SHEET 3 - AIR TREATMENT LAYOUT
 SHEET 4 - PLAN VIEW
 SHEET 5 - FLOW SCHEMATIC
 - 2) INLET CONNECTIONS: 1-1/2" FNPT X 8.
 - 3) OUTLET CONNECTION: 2-1/2" FNPT X 1.
 - 4) POWER CONNECTION: 1- 208, 230, OR 460 VOLT.
 - 5) WHEN PACKAGE IS INSTALLED INTO THE FACILITY, MAKE SURE THAT THE INSTALLER REFERENCES TABLE 110.26 (A) (I) FOR MINIMUM WORKING AREA.

TOLERANCES NOT SPECIFIED XX ± X (NEG) ±	AUTOCAD REL2009 LT INCH	DO NOT SCALE DRAWING FOR DIMENSIONS Sheet 1 of 5 SCALE 1:12
This drawing is the property of POWEREX, INC. of the SCOTT FETZER COMPANY and subject to return on demand. Its contents are confidential and must not be copied or distributed to outside parties for use or reproduction.	DRAWN BY AEK	CHECKED BY GES
MATERIAL N/A	DATE 10/12/07	APPROVED BY DMS BB
PART NAME MEDICAL SCROLL 40HP QUADPLEX	DWG NO MSEQ400	SIZE D

8 7 6 5 4 3 2 1

REV	ZONE	REVISION	DATE	ECN	NAME	CHKD
H	ALL	ADDED SHEETS 3 THRU 5 ADDED CENTER OF GRAVITY INFORMATION RENUMBERED SHEETS	6/8/17	22723	AEK	GES
J	2,4	UPDATED TO MAND DRYERS	9/8/17	PIE00174	AEK	GES
K	ALL	UPDATED TO TRIDENT DRYERS, TC	7/25/19	PIE00291	GES	MMH



400GAL RECEIVER:
TOTAL WEIGHT: 780 LBS
C.O.G. DIMENSIONS
X (FRONT): 16.89"
Y (RIGHT): -17.76"
Z (HEIGHT): 50.21"

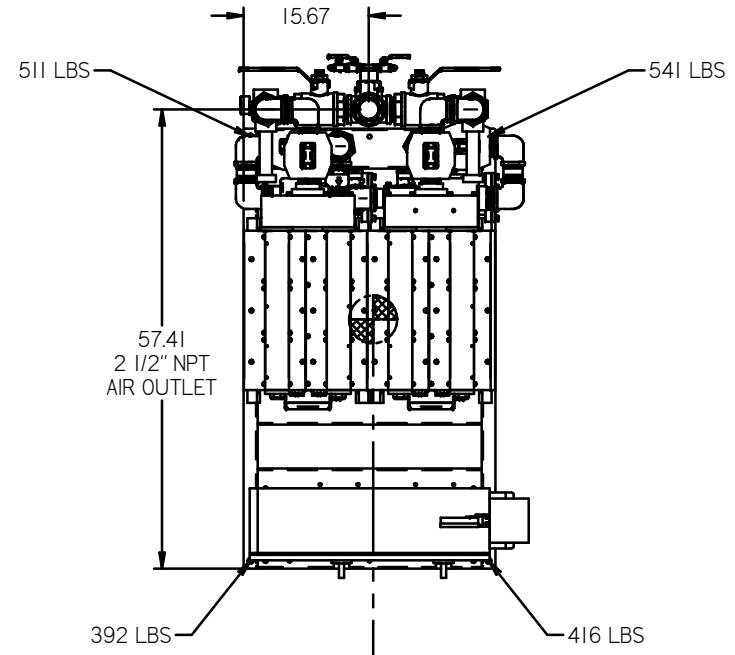
NOTES:

- 1) SHEET 1 - SE04007X0R1 SCROLL ENCLOSURE LAYOUT
SHEET 2 - RECEIVER LAYOUT
SHEET 3 - AIR TREATMENT LAYOUT
SHEET 4 - PLAN VIEW
SHEET 5 - FLOW SCHEMATIC
- 2) INLET CONNECTIONS: 1-1/2" FNPT X 8.
- 3) OUTLET CONNECTION: 2-1/2" FNPT X 1.
- 4) POWER CONNECTION: 1- 208, 230, OR 460 VOLT.
- 5) WHEN PACKAGE IS INSTALLED INTO THE FACILITY,
MAKE SURE THAT THE INSTALLER REFERENCES
TABLE 110.26 (A) (I) FOR MINIMUM WORKING AREA.

INDICATES CENTER OF GRAVITY

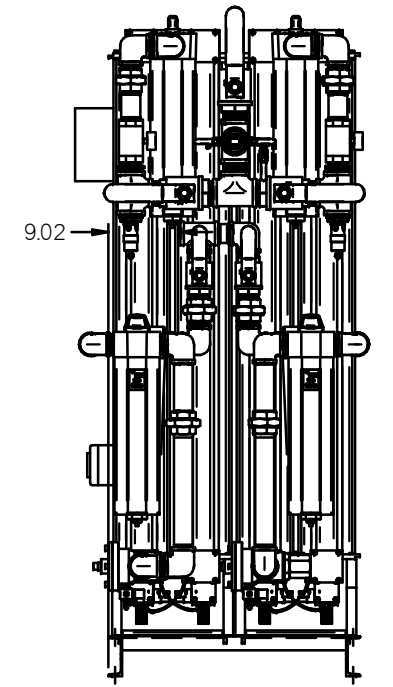
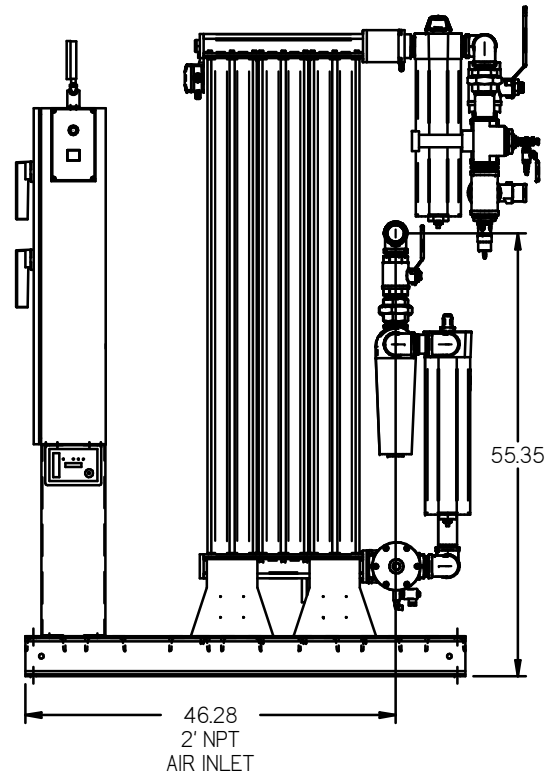
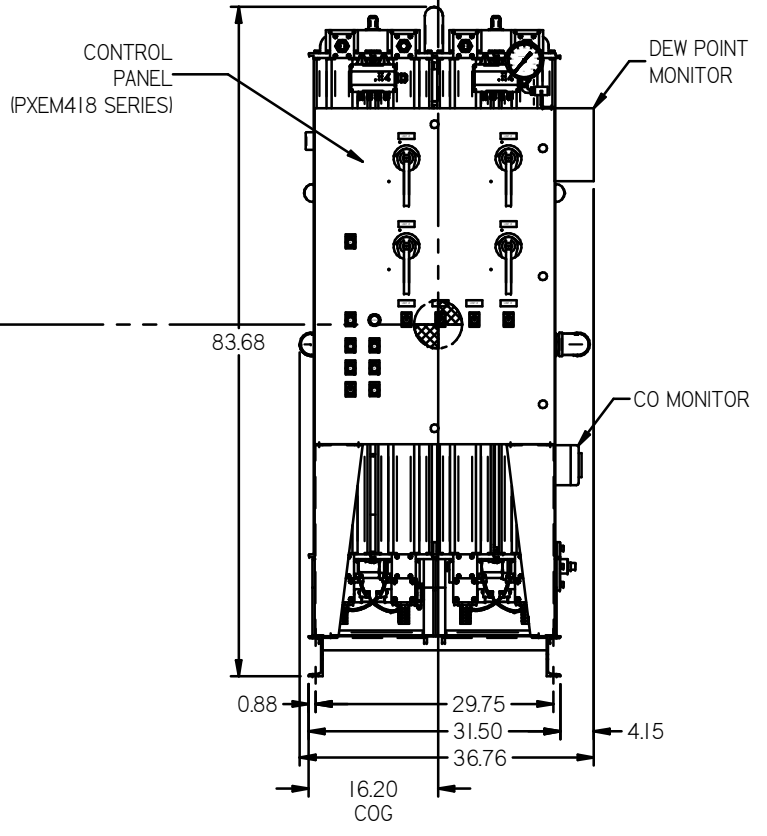
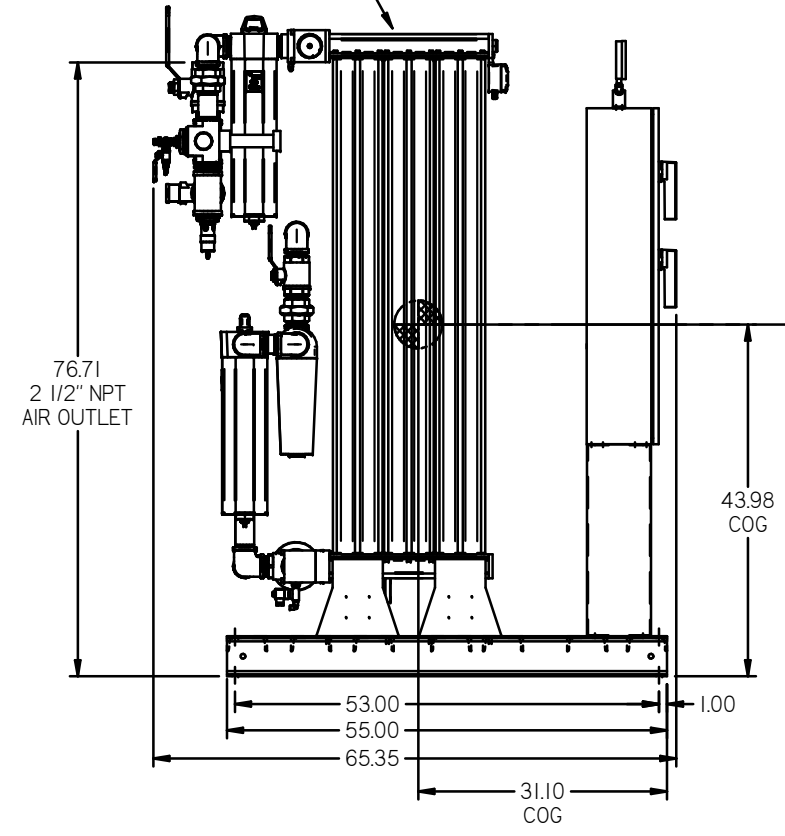
<small>OTHER LEGEND</small> = MINUS DRAFT = PLUS DRAFT <small>TOLERANCES NOT SPECIFIED</small> XX ± XXX ± 4 DEC 1-3	<small>ADDITIONAL CONTROL REQ'D</small> = BRINELL HARDNESS <small>AUTOCAD REL2008 LT</small> INCH	<small>Drawings to conform to the current revision of the following ANSI standards:</small> Y14.3 Multi and sectional view dwg. Y14.9 Dimensioning and tolerancing
<small>DO NOT SCALE DRAWING FOR DIMENSIONS</small> Sheet 2 of 5 SCALE 1:12		
<small>CONFIDENTIAL DISCLOSURE</small> This drawing is the property of POWEREX, INC. or the SCOTT FETZER COMPANY and subject to return on demand. Its contents are confidential and must not be copied or submitted to outside parties for use or disclosure.		<small>DRAWN BY</small> AEK <small>CHECKED BY</small> GES <small>APPROVED BY</small> DMS JJ 6/15/17 6/15/17 6/15/17 6/15/17
<small>MATERIAL</small> N/A <small>PART NAME</small> MEDICAL SCROLL 40HP QUADPLEX <small>DWG NO</small> MSEQ400		 <small>POWEREX, INC.</small> <small>10000 S. 100th St. Suite 1000, Omaha, NE 68137</small> <small>TEL: 402-426-1000 FAX: 402-426-1001</small> <small>WWW.POWEREX.COM</small> <small>SIZE</small> D

REV	ZONE	REVISION	DATE	ECN	NAME	CHKD
H-1	ALL	ADDED SHEETS 3 THRU 5 ADDED CENTER OF GRAVITY INFORMATION RENUMBERED SHEETS	6/15/12	22723	AEK	GES
J-1	34 ALL	UPDATED TO NANO DRYERS	9/9/17	PIEC00174	AEK	GES
K	ALL	UPDATED TO TROENT DRYERS TC	7/25/19	PIEC00205	GES	MMH




2X DESICCANT DRYER
W/ PRE-FILTER & AFTERFILTER,
(CARBON FILTER OPTIONAL)


(SEE 3D MODEL 720831 FOR
PLUMBING DETAIL)



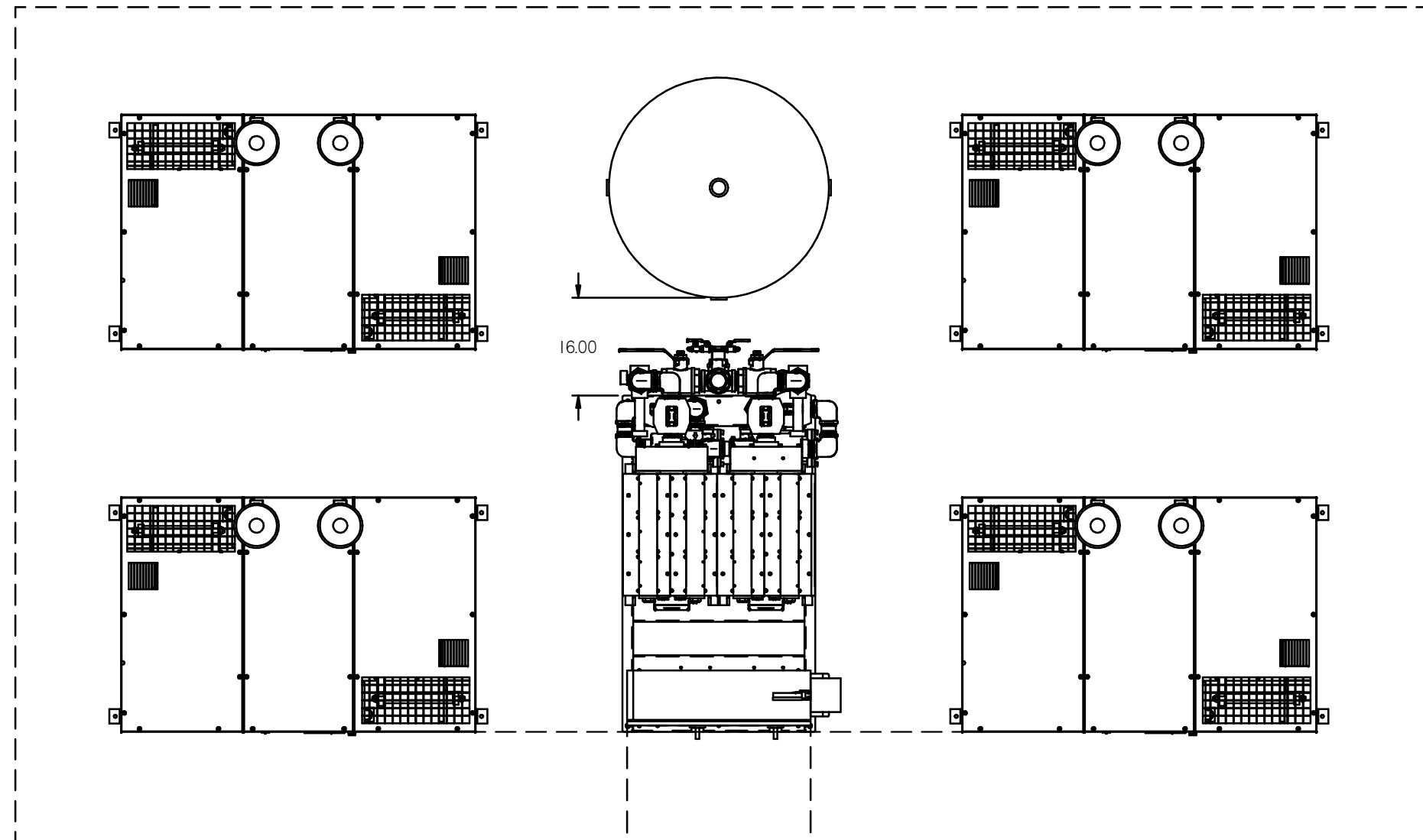
ATC/CONTROL SKID:
TOTAL WEIGHT: 1860 LBS
C.O.G. DIMENSIONS
X (FRONT): 16.2"
Y (RIGHT): -31.10"
Z (HEIGHT): 43.98"

 INDICATES CENTER OF GRAVITY
AIR TREATMENT SKID WEIGHT - 1860 LBS

- NOTES:
- SHEET 1 - SE04007XORI SCROLL ENCLOSURE LAYOUT
SHEET 2 - RECEIVER LAYOUT
SHEET 3 - AIR TREATMENT LAYOUT
SHEET 4 - PLAN VIEW
SHEET 5 - FLOW SCHEMATIC
 - INLET CONNECTIONS: 1-1/2" FNPT X 8.
 - OUTLET CONNECTION: 2-1/2" FNPT X 1.
 - POWER CONNECTION: 1- 208, 230, OR 460 VOLT.
 - WHEN PACKAGE IS INSTALLED INTO THE FACILITY, MAKE SURE THAT THE INSTALLER REFERENCES TABLE 110.26 (A) (I) FOR MINIMUM WORKING AREA.

DIMENSIONS: e = MINUS DRAFT + = PLUS DRAFT TOLERANCES NOT SPECIFIED: XX .2 XXX .3 Z .005	ADDITIONAL CONTROL REQ'D BRINELL HARDNESS	Drawings to conform to the following standards: ASME Y14.5 and section 1 view depts. 1:4.94 Dimensioning and tolerancing
AUTOCAD REL2008 LT	DO NOT SCALE DRAWING FOR DIMENSIONS	
INCH	Sheet 3 of 5	SCALE 1:12
CONFIDENTIAL DISCLOSURE This drawing is the property of POWEREX, INC. of the SCOTT FELTZER COMPANY and subject to return on demand. Its contents are confidential and must not be copied or submitted to outside parties for use or reproduction.	DRAWN BY: AEK CHECKED BY: GES 6/15/17	APPROVED BY: DMS, JJ 6/15/17, 6/15/17
MATERIAL: N/A		
PART NAME: MEDICAL SCROLL 40HP QUADPLEX	DWG NO: MSEQ400	SIZE: D

REV	ZONE	REVISION	DATE	ECN	NAME	CHKD
H.4	ALL	ADDED SHEETS 3 THRU 5 ADDED CENTER OF GRAVITY INFORMATION RENAMED SHEETS	6/15/17	22723	AEK	GES
J.4	3,4,ALL	UPDATED TO WIND DRIVERS	9/8/17	PXEC0174	AEK	GES
K	ALL	UPDATED TO TRIDENT DRIVERS, TC	7/25/19	PXEC0291	GES	MMH

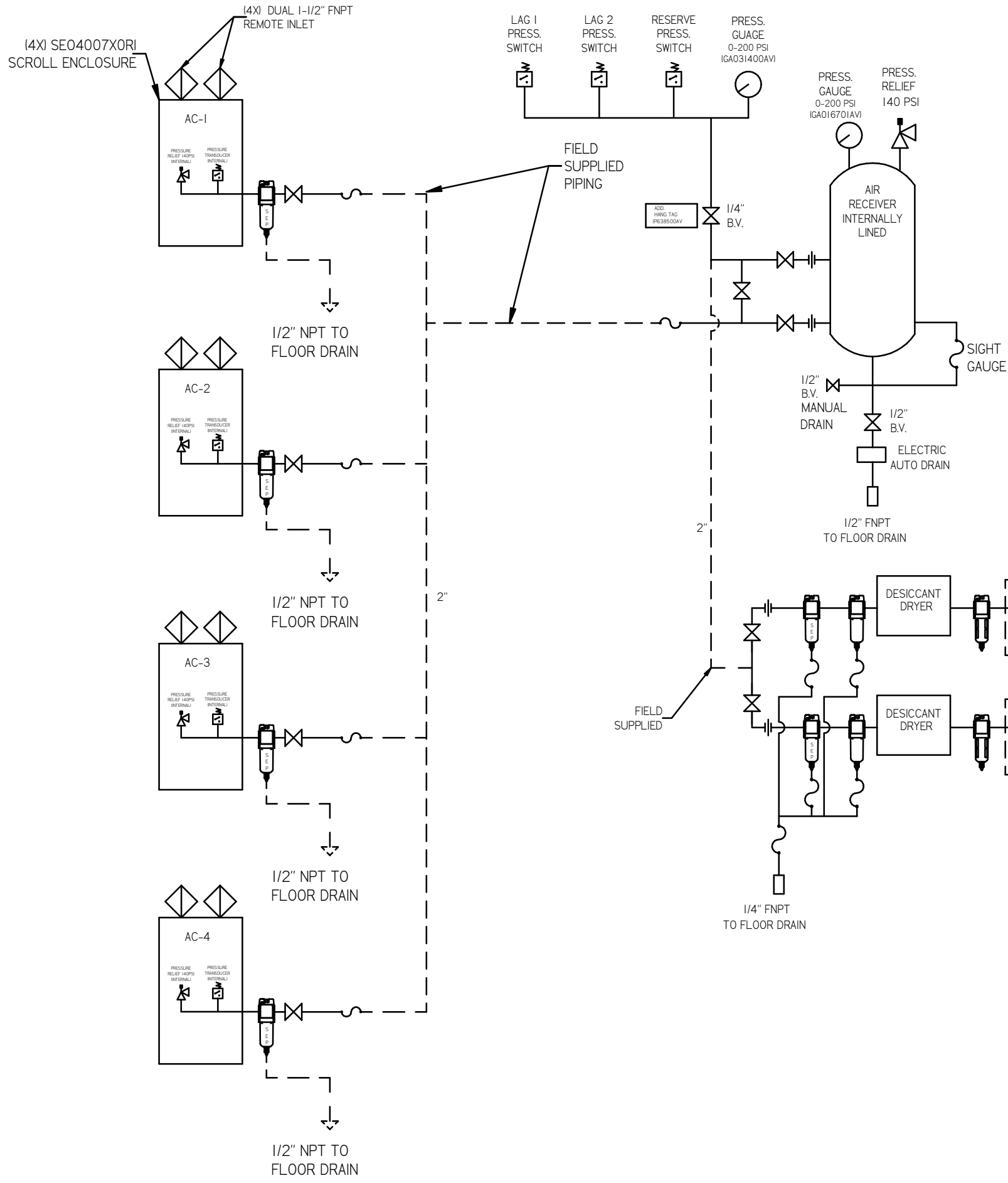


MINIMUM RECOMMENDED
ELECTRICAL PANEL
CLEARANCE PER OSHA/NEC
REQUIREMENTS

24" MINIMUM RECOMMENDED
MAINTENANCE CLEARANCE

- NOTES:
- 1) SHEET 1 - SEQ4007X0R1 SCROLL ENCLOSURE LAYOUT
SHEET 2 - RECEIVER LAYOUT
SHEET 3 - AIR TREATMENT LAYOUT
SHEET 4 - PLAN VIEW
SHEET 5 - FLOW SCHEMATIC
 - 2) INLET CONNECTIONS: 1-1/2" FNPT X 8.
 - 3) OUTLET CONNECTION: 2-1/2" FNPT X 1.
 - 4) POWER CONNECTION: 1- 208, 230, OR 460 VOLT.
 - 5) WHEN PACKAGE IS INSTALLED INTO THE FACILITY,
MAKE SURE THAT THE INSTALLER REFERENCES
TABLE 110.26 (A) (I) FOR MINIMUM WORKING AREA.

SYMBOL LEGEND ⊖ = MINUS DRAFT ⊕ = PLUS DRAFT ⊗ = ADDITIONAL CONTROL REQ'D ⊘ = BRINELL HARDNESS	Drawings to conform to the current revision of the following ANSI standards: Y14.3 Multi and sectional view dgs. Y14.5M Dimensioning and tolerancing
TOLERANCES NOT SPECIFIED XX ± XXX ± 2 DEC. ±	AUTOCAD RELEASE 1.1 INCH DO NOT SCALE DRAWING FOR DIMENSIONS Sheet 4 of 5 SCALE 1:12
CONFIDENTIAL DISCLOSURE This drawing is the property of POWEREX, INC. or the SCOTT FETZER COMPANY and subject to return on demand. The contents are confidential and must not be copied or submitted to outside parties for use or examination.	DRWN BY: AEK CHECKED BY: GES APPROVED BY: DMS, JJ 6/15/17, 6/15/17, 6/15/17, 6/15/17
MATERIAL: N/A PART NAME: MEDICAL SCROLL 40HP QUADPLEX	 150 PRODUCTION DRIVE, HARRISBURG, PA 17106 PH: 717-533-7000 FAX: 717-533-7010 DWG NO: MSEQ400 SIZE: D



LEGEND

	INTAKE FILTER		REGULATOR
	AIR FILTER		CHECK VALVE
	BALL VALVE		SEPERATOR
	CARBON FILTER		FLEX JOINT
	DIVERTER VALVE		UNION

REV	ZONE	REVISION	DATE	ECN	NAME	CHKD
B-1	ALL	RELEASE FOR SUBMITTAL	10/10/07	21967	AEK	GES
B-1	ALL	UPDATED BUILD & FLOW TO CURRENT STANDARD	6/9/08	21907	AEK	GES
C-1	ALL	CORRECTED INLET DETAILS	9/25/08	21907	AEK	GES
D-1	1 ALL 2 ALL	UPDATED PANEL AND MONITORS UPDATED FLOW TO CURRENT PRODUCTION	6/24/10	22348	AEK	GES
E-1	ALL	CORRECTED OUTLET PLUMBING TO 2-1/2" NPT	11/2/11	22548	AEK	GES
F-1	ALL	UPDATED TO POWEREX S&S ENCLOSURE	5/31/11	22384	AEK	GES
G-1	1 B6	ADDED DRYER/FILTER CALL-OUT	8/18/11	22548	AEK	GES
H-1	ALL	ADDED SHEETS 3 THRU 5 ADDED CENTER OF GRAVITY INFORMATION RENUMBERED SHEETS	6/15/12	22723	AEK	GES
J-1	3,4 ALL	UPDATED TO HANO DRYERS	9/18/17	PREC0174	AEK	GES
K	ALL	UPDATED TO TRIDENT DRYERS, TC	7/25/19	PREC0291	GES	MW

- NOTES:**
- SHEET 1 - SE04007X0R1 SCROLL ENCLOSURE LAYOUT
SHEET 2 - RECEIVER LAYOUT
SHEET 3 - AIR TREATMENT LAYOUT
SHEET 4 - PLAN VIEW
SHEET 5 - FLOW SCHEMATIC
 - INLET CONNECTIONS: 1-1/2" FNPT X 8.
 - OUTLET CONNECTION: 2-1/2" FNPT X 1.
 - POWER CONNECTION: 1- 208, 230, OR 460 VOLT.

<p>TYPICAL LEGEND</p> <p>⊖ = MINUS DRAFT</p> <p>⊕ = PLUS DRAFT</p> <p>⊗ = ADDITIONAL CONTROL REQ'D</p> <p>⊙ = BRINELL HARDNESS</p>	<p>Drawings to conform to the current revision of the following ANSI standards:</p> <p>11.3 Multi and sectional view degn.</p> <p>11.39 Dimensioning and tolerancing</p>
<p>TOLERANCES NOT SPECIFIED</p> <p>XX ±</p> <p>XXX ±</p> <p>Δ (REG.) ±</p>	<p>AUTOCAD REL 2008 LT</p> <p>DO NOT SCALE DRAWING FOR DIMENSIONS</p> <p>Sheet 5 of 5</p> <p>SCALE 1:12</p>
<p>CONFIDENTIAL DISCLOSURE</p> <p>This drawing is the property of POWEREX, INC. or the SCOTT FETZER COMPANY and subject to return or demand. Its contents are confidential and must not be copied or submitted to outside parties for use or inspection.</p>	<p>DRWN BY: AEK</p> <p>CHECKED BY: GES</p> <p>APPROVED BY: DMS</p> <p>DATE: 10/10/07</p>
<p>MATERIAL: N/A</p> <p>PART NAME: ENCLOSED SCROLL FLOW SCHEMATIC</p>	<p>POWEREX</p> <p>180 PRODUCTION DRIVE, HARRISBURG, PA 17109</p> <p>TEL: 717-533-2277 FAX: 717-533-2278</p>
<p>DWG NO: MSEQ400</p>	<p>SIZE: D</p>