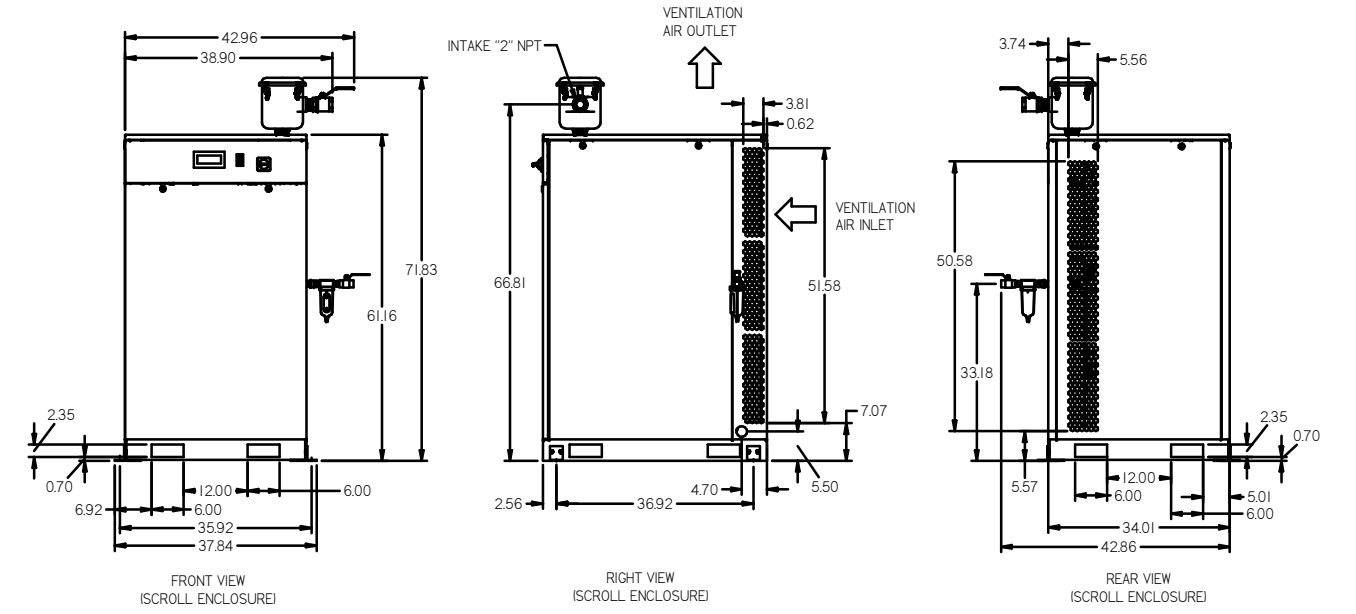
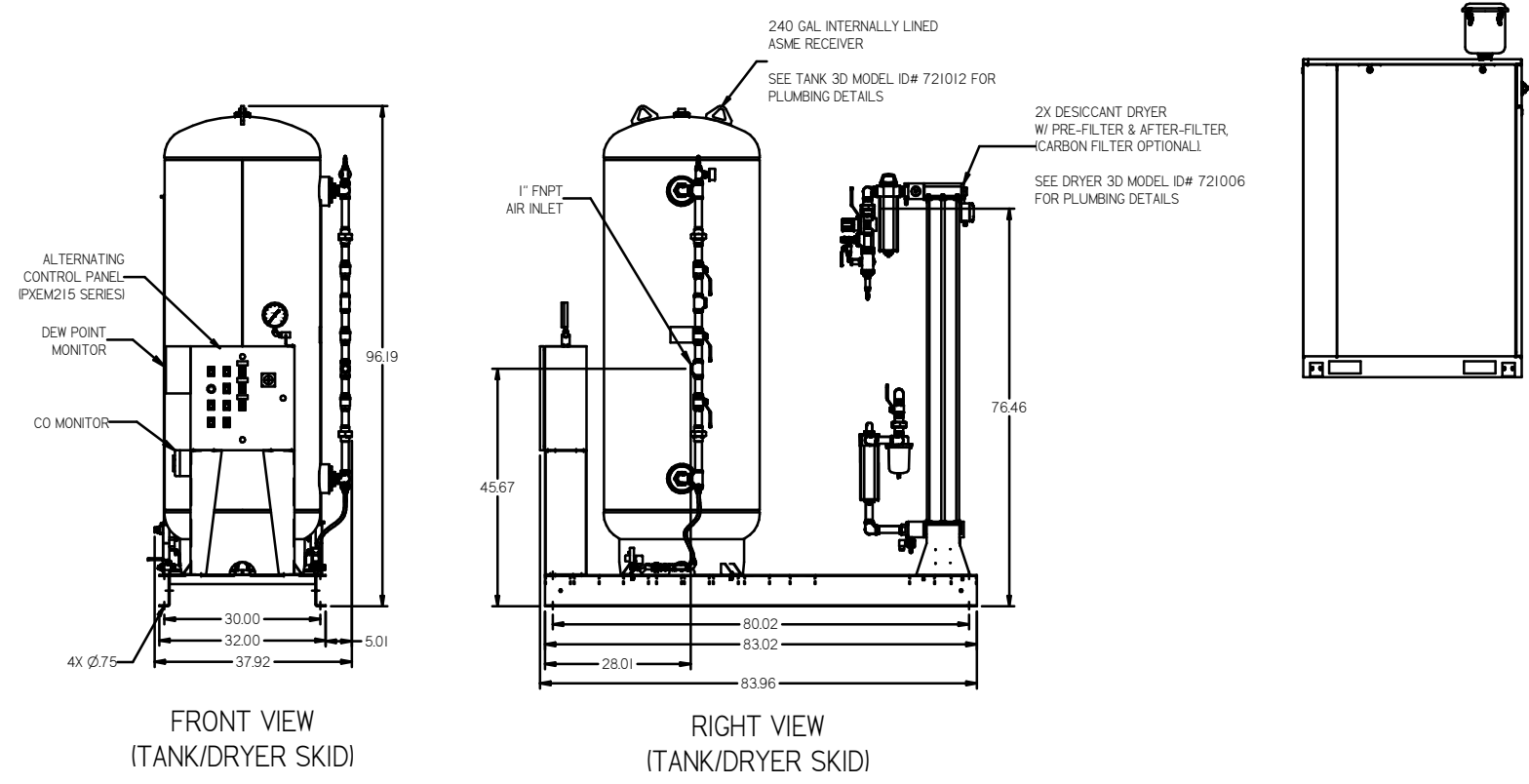
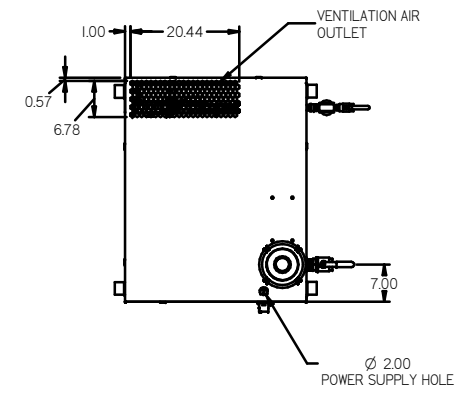
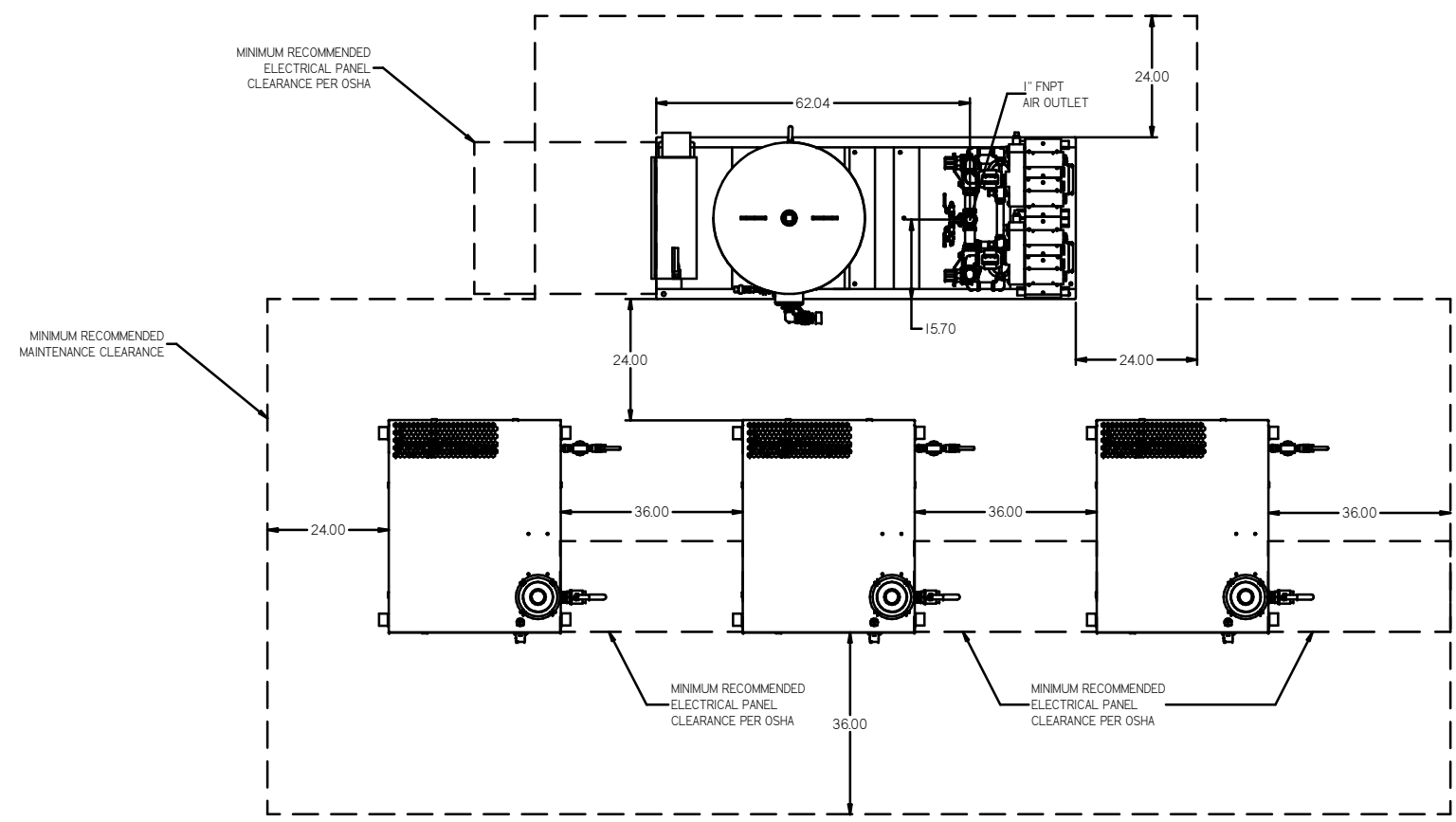


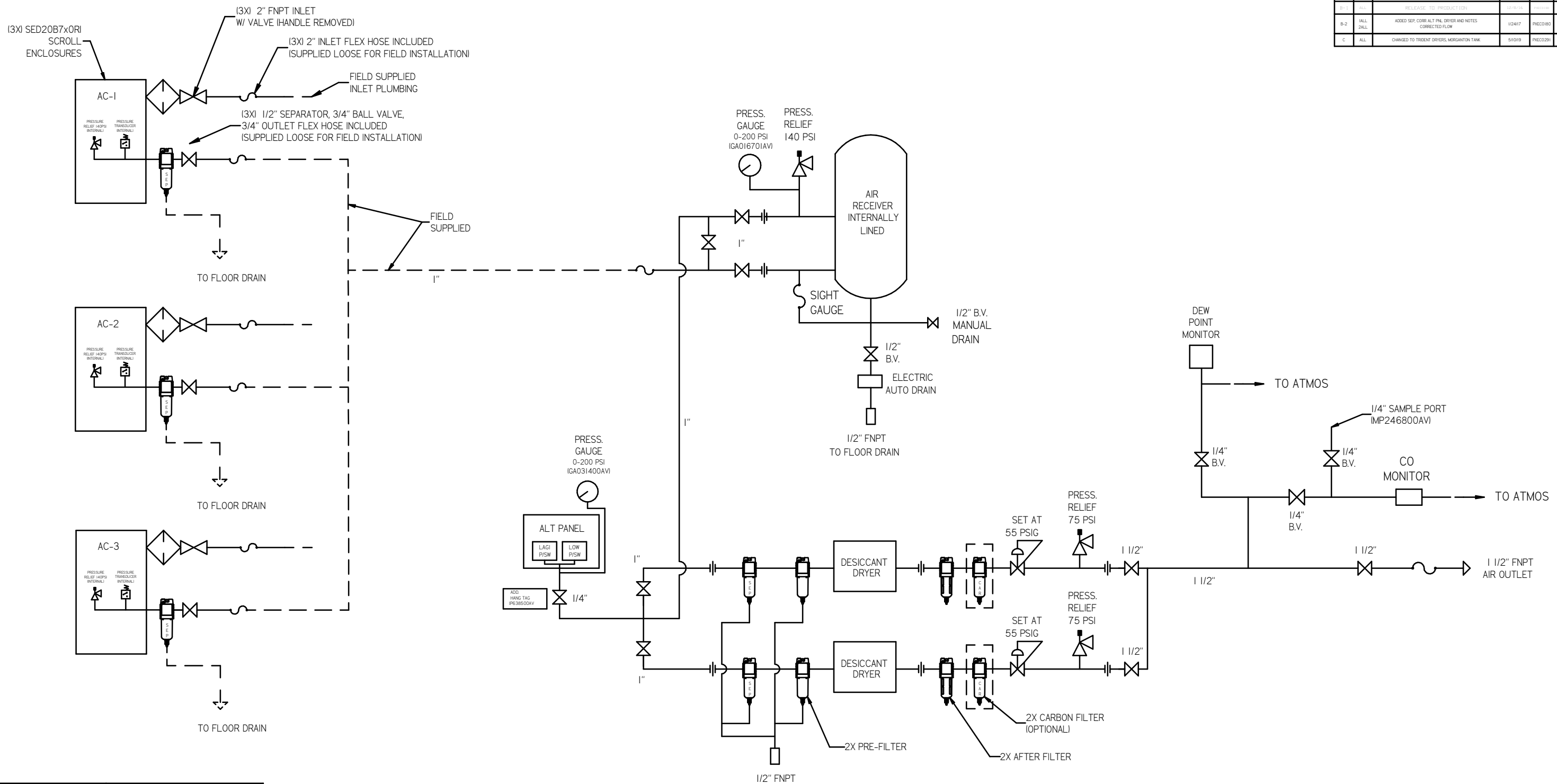
REV	ZONE	REVISION	DATE	ECN	NAME	CHKD
B-1	ALL	RELEASE TO PRODUCTION	12/8/16		PREHAR	JK
B-2	ALL	ADDED SEP CORR ALT PNL ORDER AND NOTES CORRECTED FLOW	12/8/17		PREC0180	GES



- NOTES
- 1) SHEET 1, UNIT LAYOUT.
  - 2) SHEET 2, UNIT FLOW SCHEMATIC.
  - 3) INLET CONNECTIONS: 2" FNPT X 3.
  - 4) SYSTEM OUTLET CONNECTION: 1 1/2" FNPT X 1.
  - 5) POWER CONNECTION EACH ENCLOSURE: 1-230, OR 480 VOLT, ALTERNATION PANEL: 115V
  - 6) WHEN PACKAGE IS INSTALLED INTO THE FACILITY, VERIFY THE INSTALLER REFERENCES TABLE 110.26 (A) (I) FOR MINIMUM WORKING AREA.
  - 7) DIRECTION OF INTAKE CONNECTIONS MAY BE MODIFIED AT INSTALLATION BY ADJUSTING PIPE THREAD CONNECTIONS.

TOLERANCES NOT SPECIFIED XX ± .010 XXX ± .005 (DEG) ± .1°		AUTOCAD LT 2014 INCH		DO NOT SCALE DRAWING FOR DIMENSIONS Sheet 1 of 2 SCALE 1:18	
MATERIAL: N/A PART NAME: MEDICAL SCROLL 20HP TRIPLEX		DRAWN BY: RK CHECKED BY: JA APPROVED BY: JA, CT 12/8/16, 12/8/16, 12/8/16, 12/8/16		POWEREX 150 PROSPECT ROAD, WASHINGTON, OHIO 43080 PH: 608-929-7979 FAX: 615-929-3125	
Dwg No: MSET20B6 SIZE: D					

REV	ZONE	REVISION	DATE	ECN	NAME	CHKD
B-1	ALL	RELEASE TO PRODUCTION	12/8/16		RK	JA
B-2	ALL	ADDED SEP. CORR. ALT. PNL. DRIVER AND NOTES CORRECTED FLOW	12/8/17		PREC0291	GES
C	ALL	CHANGED TO TRIDENT DRIVERS, MORGANTON TANK	5/10/19		PREC0291	GES



LEGEND	
	INTAKE FILTER
	AIR FILTER
	BALL VALVE
	CARBON FILTER
	DIVERTER VALVE
	REGULATOR
	CHECK VALVE
	SEPERATOR
	FLEX JOINT
	UNION

- NOTES:  
 1) SHEET 1, UNIT LAYOUT.  
 2) SHEET 2, UNIT FLOW SCHEMATIC.  
 3) INLET CONNECTIONS: 2" FNPT X 3.  
 4) SYSTEM OUTLET CONNECTION: 1 1/2" FNPT X 1.  
 5) POWER CONNECTION EACH ENCLOSURE: 1-230, OR 460 VOLT, ALTERNATION PANEL: 115V  
 6) WHEN PACKAGE IS INSTALLED INTO THE FACILITY, VERIFY THE INSTALLER REFERENCES TABLE 110.26 (A) (I) FOR MINIMUM WORKING AREA.  
 7) DIRECTION OF INTAKE CONNECTIONS MAY BE MODIFIED AT INSTALLATION BY ADJUSTING PIPE THREAD CONNECTIONS.

SYMBOL LEGEND: ⊖ = MINUS DRAFT ⊕ = PLUS DRAFT ⊕ = ADDITIONAL CONTROL REQ'D ⊕ = BRINELL HARDNESS	Drawing to conform to the current revision of the following ANSI standards: Y14.3 Multi and sectional view dgs. Y14.9 Dimensioning and tolerancing.
TOLERANCES NOT SPECIFIED: XX ± .010 YYY ± .005 Z (NEG.) ± .007	AUTOCAD LT 2014 DO NOT SCALE DRAWING FOR DIMENSIONS Sheet 2 of 2 SCALE 1:18
CONFIDENTIAL DISCLOSURE This drawing is the property of POWEREX, INC. or the SCOTT FELTZER COMPANY and subject to return on demand. Its contents are confidential and must not be copied or submitted to outside parties for use or examination.	DRAWN BY: RK CHECKED BY: JA APPROVED BY: JA, ET 12/8/16, 12/8/16, 12/8/16, 12/8/16
MATERIAL: N/A PART NAME: ENCLOSED SCROLL FLOW SCHEMATIC ORIG NO: MSET20B6	 100 PRODUCTION DRIVE, HARRISBURG, OHIO 44333 TEL: 330-743-2274 FAX: 330-743-3425