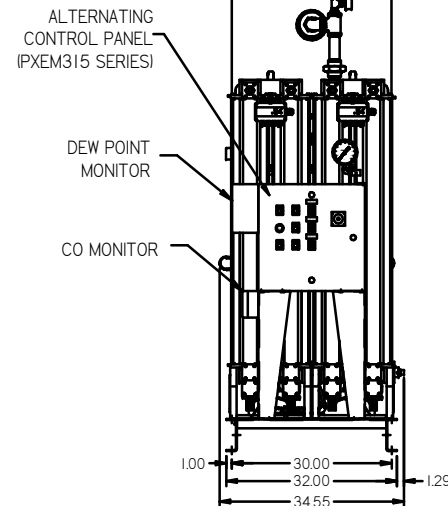
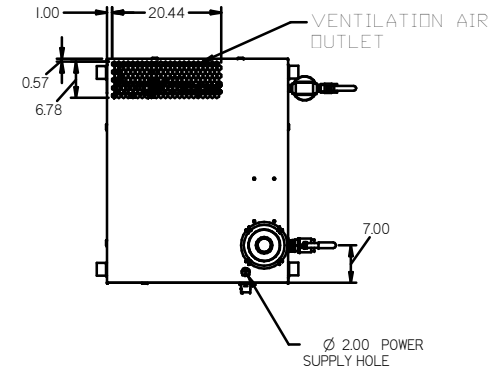
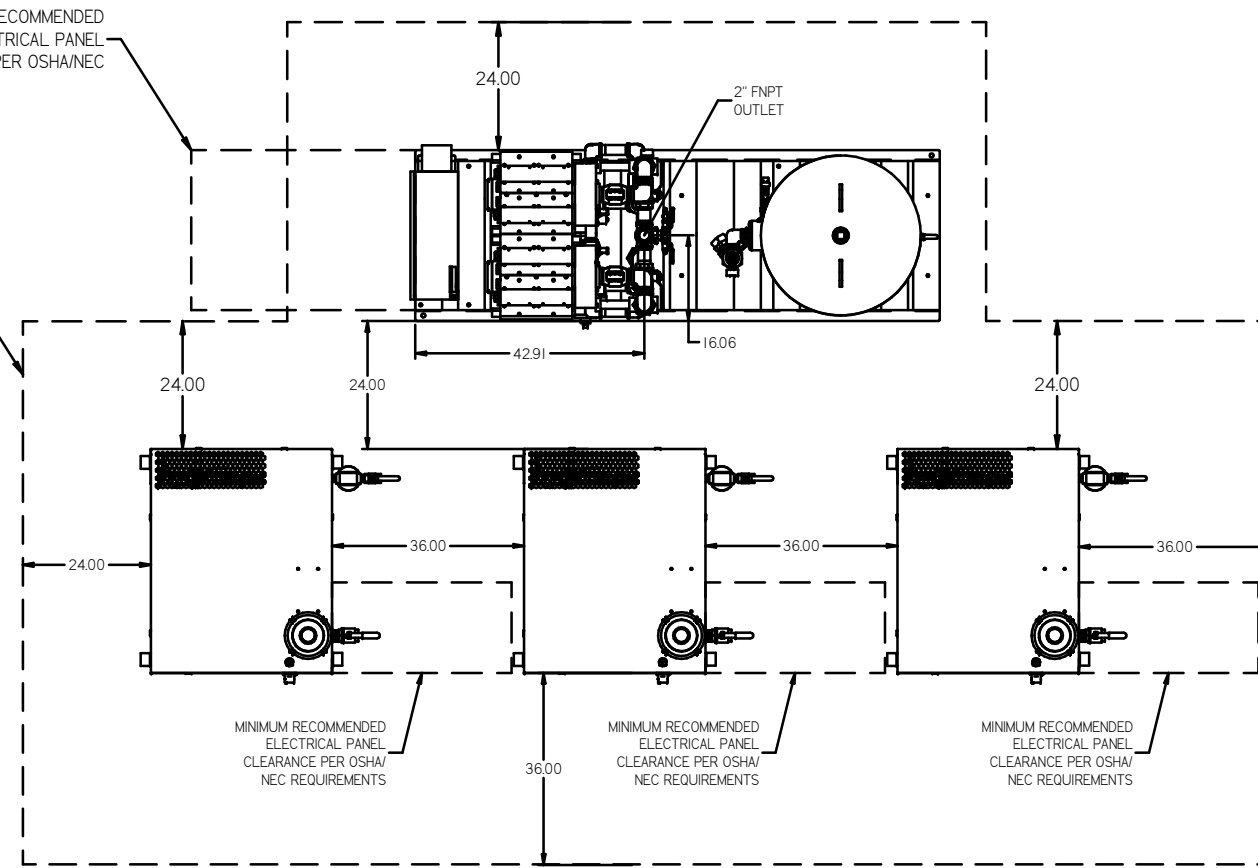


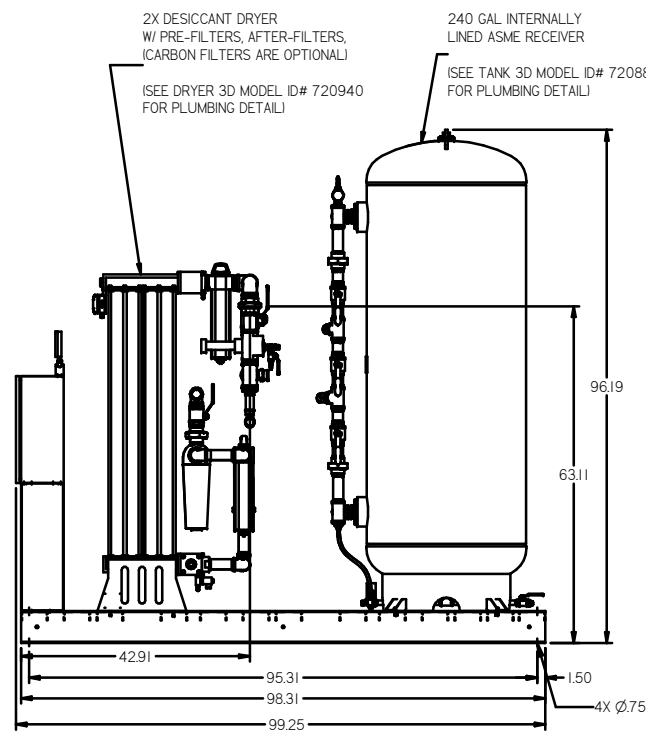
REV	ZONE	REVISION	DATE	ECN	NAME	CHKD
B-1	ALL	RELEASE TO PRODUCTION	12/8/16	PRELIM	RK	JA
B-2	ALL	ADDED SEP. CORR. ALT. PNL DRYER AND NOTES CORRECTED FLOW	1/26/17	PRELIM	RES	JA
C-1	ALL	ADDED TANK BY PIPING PLUMBING	6/20/18	PRELIM	RES	DMS
D	ALL	CHANGED TO TREAT DRYERS, MORGANTON TANK	5/2/19	PRELIM	RES	MHR

MINIMUM RECOMMENDED ELECTRICAL PANEL CLEARANCE PER OSHA/NEC

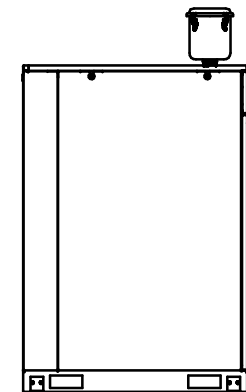
24" MINIMUM RECOMMENDED MAINTENANCE CLEARANCE



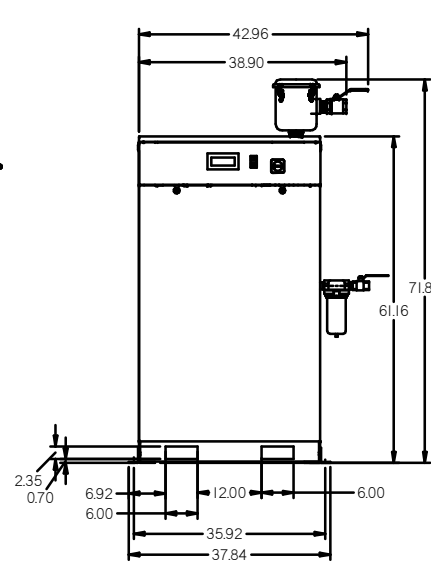
FRONT VIEW (TANK/DRYER SKID)



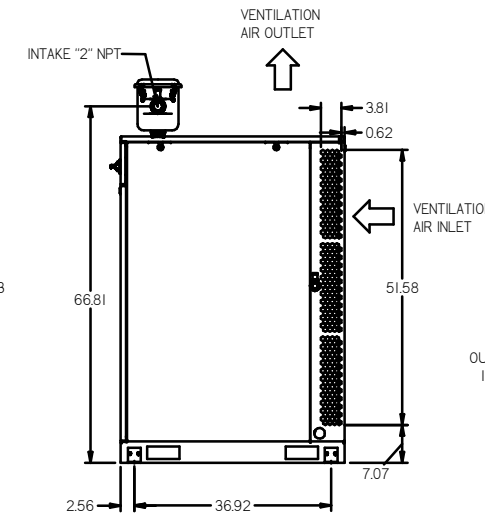
RIGHT VIEW (TANK/DRYER SKID)



FRONT VIEW (SCROLL ENCLOSURE)



RIGHT VIEW (SCROLL ENCLOSURE)

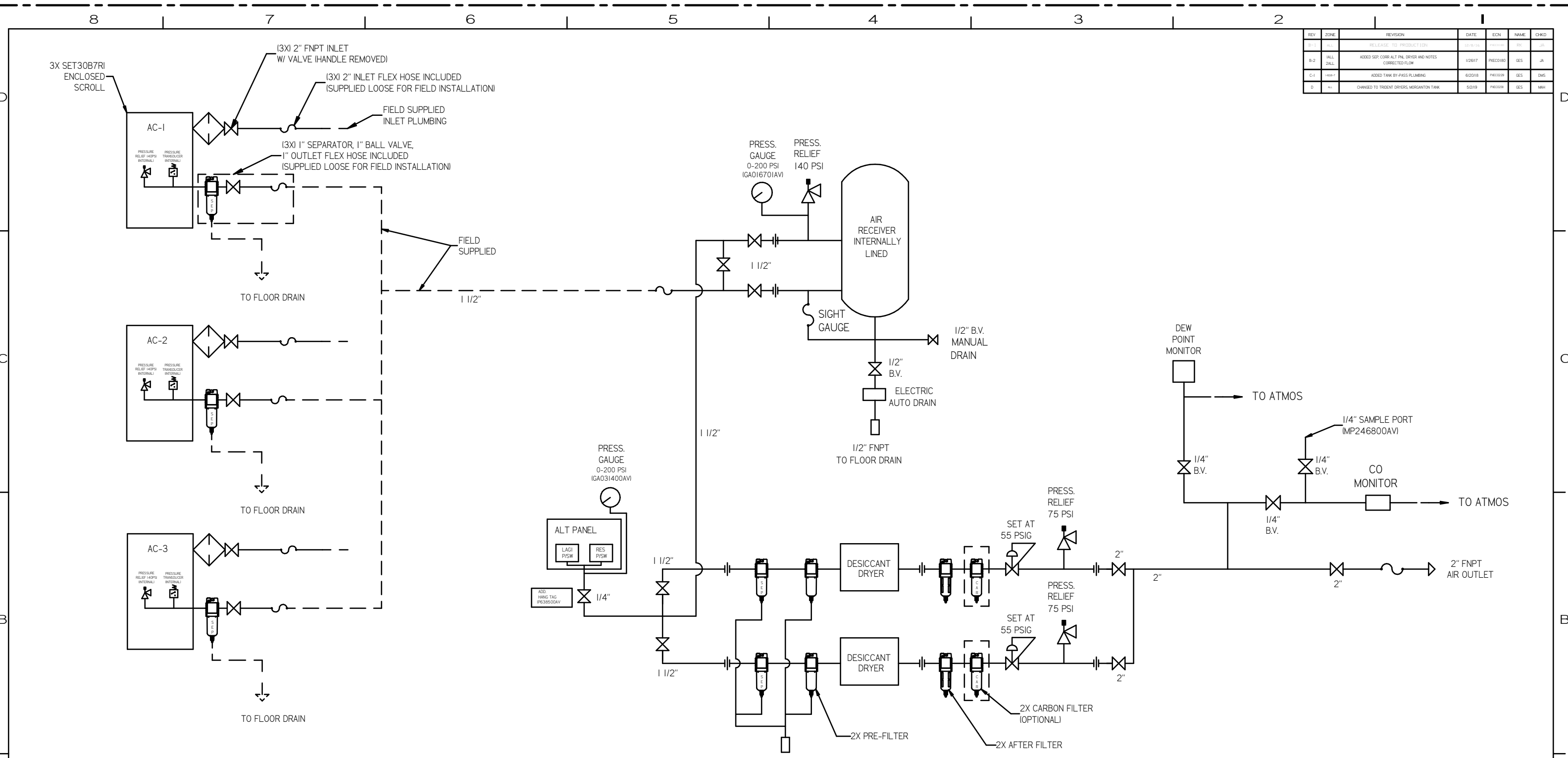


REAR VIEW (SCROLL ENCLOSURE)

- NOTES:
- 1) SHEET 1, UNIT LAYOUT.
 - 2) SHEET 2, UNIT FLOW SCHEMATIC.
 - 3) INLET CONNECTIONS 2" FNPT X 3.
 - 4) SYSTEM OUTLET CONNECTION: 2" FNPT X 1.
 - 5) POWER CONNECTION EACH ENCLOSURE: 1-230, OR 460 VOLT, ALTERNATION PANEL: 115V
 - 6) WHEN PACKAGE IS INSTALLED INTO THE FACILITY, MAKE SURE THAT THE INSTALLER REFERENCES TABLE 110.26 (A) (I) FOR MINIMUM WORKING AREA.
 - 7) DIRECTION OF INTAKE CONNECTIONS MAY BE MODIFIED AT INSTALLATION BY ADJUSTING PIPE THREAD CONNECTIONS.

THIS DRAWING = MINUS DRAFT = PLUS DRAFT = ADDITIONAL CONTROL REQ'D = BRINELL HARDNESS	Drawings to conform to the following ANSI standards: 114.3 Multi and sectional view dgs. 14.9 Dimensioning and tolerancing
TOLERANCES NOT SPECIFIED: XX ± 0.10 XXX ± 0.05 < DEG. > ± .5°	AUTOCAD LT 2014 INCH DO NOT SCALE DRAWING FOR DIMENSIONS Sheet 1 of 2 SCALE 1:18
CONFIDENTIAL DISCLOSURE This drawing is the property of POWEREX, LLC of the SCOTT FEZIK COMPANY and subject to return on demand. Its contents are confidential and must not be copied or submitted to outside parties for use or examination.	DRAWN BY: RK CHECKED BY: JA 12/8/16 12/8/16 12/8/16 12/8/16
MATERIAL: N/A PART NAME: MEDICAL SCROLL 30HP TRIPLEX	 10000 888-760-7979 FAX: (513) 367-3125 MSET30B6 SIZE: D

REV	ZONE	REVISION	DATE	ENR	NAME	CHKD
B-1	ALL	RELEASE TO PRODUCTION	12/8/16			
B-2	ALL	ADDED SEP CORR ALT PAL DRYER AND NOTES CORRECTED FLOW	1/26/17		GES	JA
C-1	ALL	ADDED TANK BY PASS PLUMBING	8/20/18		GES	DMS
D	ALL	CHANGED TO TROENT DRYERS, MORGANTON TANK	5/2/19		GES	MH



LEGEND	
	INTAKE FILTER
	AIR FILTER
	BALL VALVE
	CARBON FILTER
	DIVERTER VALVE
	REGULATOR
	CHECK VALVE
	SEPERATOR
	FLEX JOINT
	UNION

- NOTES:
 1) SHEET 1, UNIT LAYOUT.
 2) SHEET 2, UNIT FLOW SCHEMATIC.
 3) INLET CONNECTIONS: 2" FNPT X 1.
 4) SYSTEM OUTLET CONNECTION: 2" FNPT X 1.
 5) POWER CONNECTION EACH ENCLOSURE: 1-230, OR 460 VOLT, ALTERNATION PANEL: 115V
 6) WHEN PACKAGE IS INSTALLED INTO THE FACILITY, MAKE SURE THAT THE INSTALLER REFERENCES TABLE 110.26 (A) (I) FOR MINIMUM WORKING AREA.
 7) DIRECTION OF INTAKE CONNECTIONS MAY BE MODIFIED AT INSTALLATION BY ADJUSTING PIPE THREAD CONNECTIONS.

TOLERANCES NOT SPECIFIED XX ± .010 XXX ± .005 2 DEC. 3-12"	AUTOCAD LT 2014 INCH	DO NOT SCALE DRAWING FOR DIMENSIONS Sheet 2 of 2 SCALE 1:18
CONFIDENTIAL DISCLOSURE This drawing is the property of POWEREX, INC. of the SCOTT FELTZER COMPANY and subject to return on demand. Its contents are confidential and must not be copied or submitted to outside parties for use or examination.		Drawings to conform to the current revision of the following ANSI Standards: 314.3 Multi and sectional view degn. 14.09 Dimensioning and tolerancing
MATERIAL: N/A		PART NAME: ENCLOSED SCROLL FLOW SCHEMATIC
DRAWN BY: RK CHECKED BY: JA 12/8/16		ISSUED BY: JA CT 12/8/16
POWEREX POWEREX, INC. OF THE SCOTT FELTZER COMPANY 1000 W. 10TH ST. SUITE 100 DENVER, CO 80202		Dwg No: MSET30B6 SIZE: D