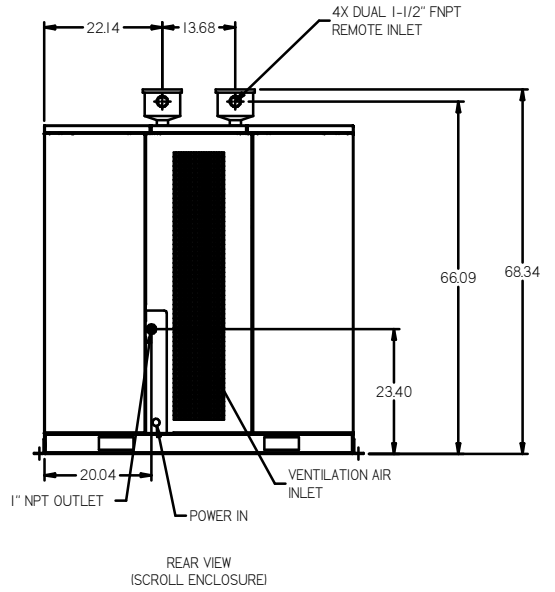
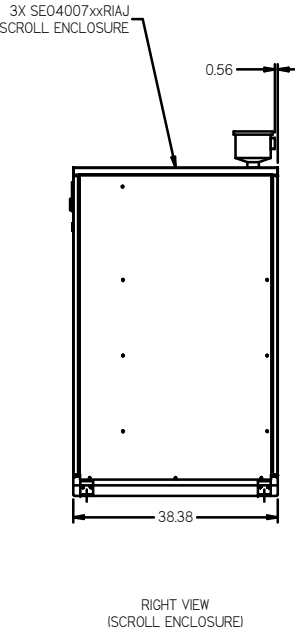
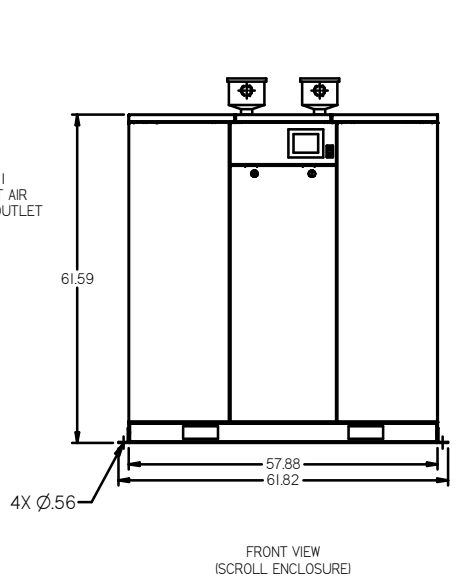
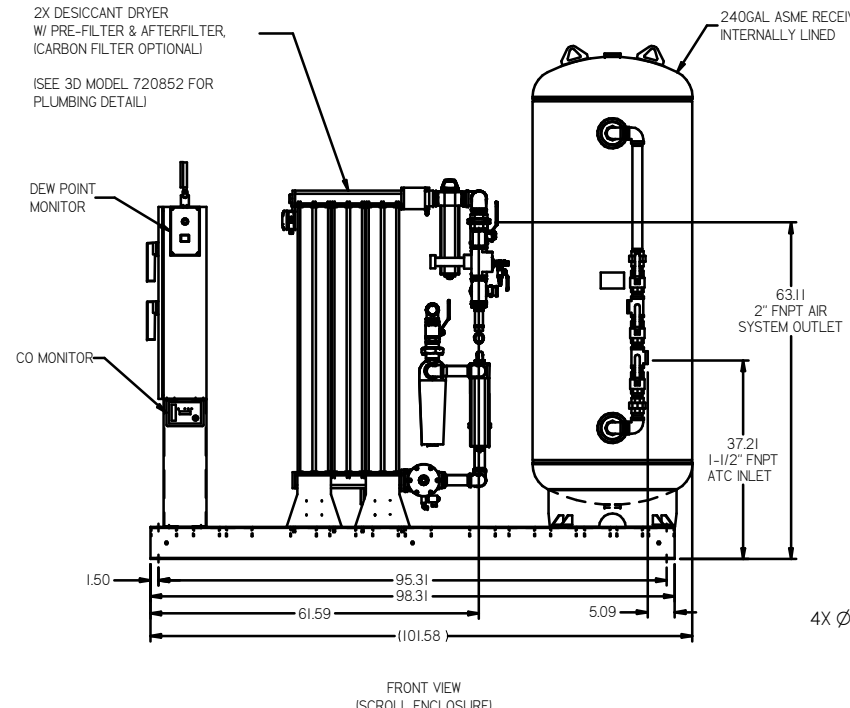
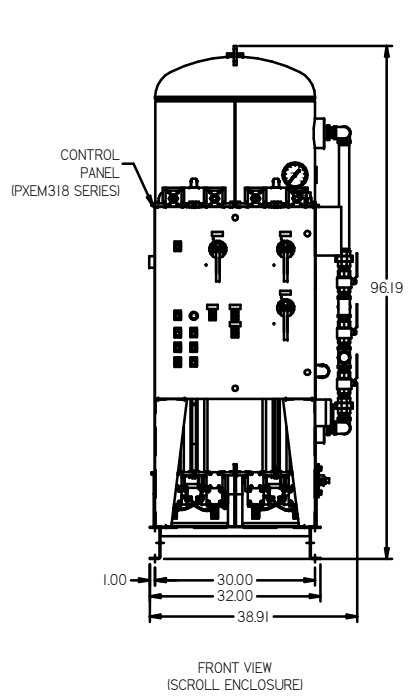
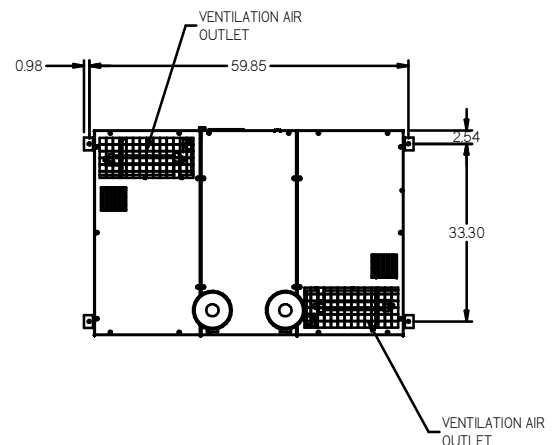
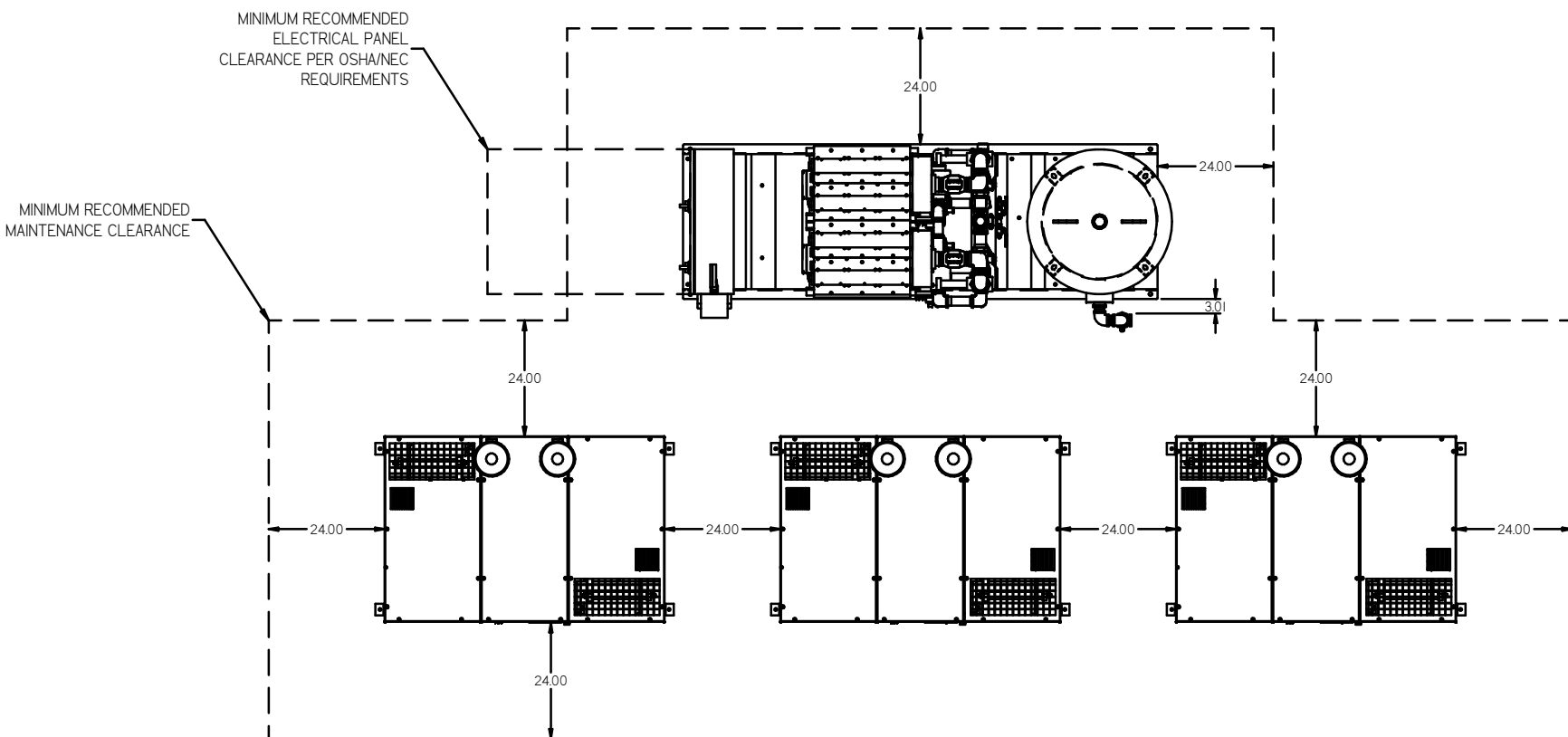


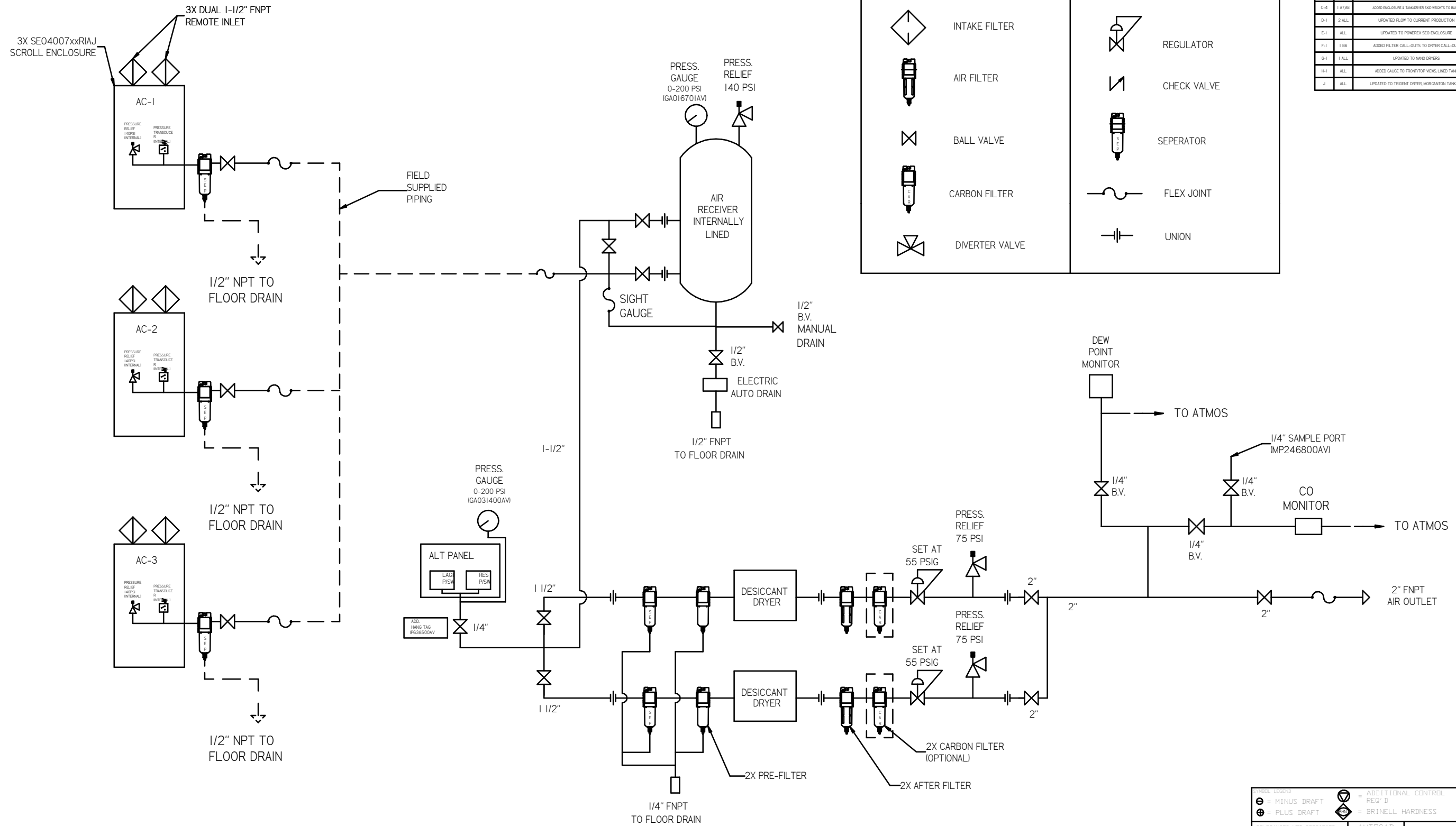
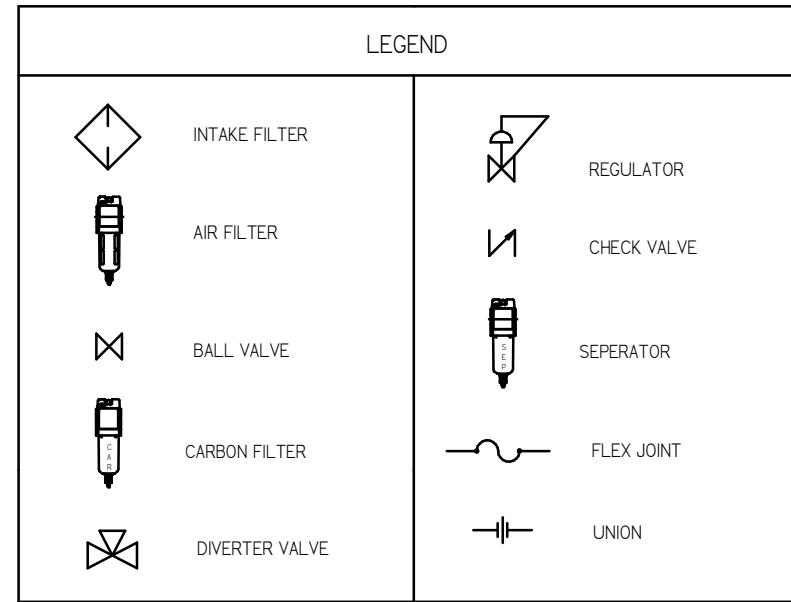
| REV | ZONE | REVISION | DATE | ECN | NAME | CHKD |
|-----|-------|---|----------|----------|------|------|
| B-1 | ALL | RELEASE TO PRODUCTION | 10/11/07 | 21640 | AEK | GES |
| C-1 | ALL | UPDATED BUILD & FLOW TO CURRENT STANDARD | 6/3/08 | 21907 | AEK | GES |
| C-2 | ALL | REMOVED SHORTER VALVE FROM COMPRESSOR INLETS | 9/5/08 | 21907 | AEK | DMS |
| C-3 | 1 ALL | CORRECTED INLET DETAILS | 10/9/08 | 21907 | AEK | GES |
| C-4 | 1 ATJ | ADD ENCLOSURE & TRANSDUCER AND HEIGHTS TO BUILD | 10/23/08 | 21907 | AEK | GES |
| D-1 | 2 ALL | UPDATED FLOW TO CURRENT PRODUCTION | 6/16/10 | 22348 | AEK | GES |
| E-1 | ALL | UPDATED TO POWEREX S&S ENCLOSURE | 5/31/11 | 22394 | AEK | GES |
| F-1 | 1 BB | ADDED FILTER CALL-OUTS TO DRYER CALL-OUT | 8/19/11 | 22546 | AEK | GES |
| G-1 | 1 ALL | UPDATED TO NANO DRYERS | 9/9/17 | PREC0174 | AEK | GES |
| H-1 | ALL | ADDED GAUGE TO FRONTTOP VIEWS, LINED TANK | 12/14/17 | PREC0187 | GES | DMS |
| J | ALL | UPDATED TO TRIDENT DRYER, MORGANTON TANK, TC | 4/26/19 | PREC0291 | GES | SJA |



- NOTES:
1.) SHEET 1, UNIT LAYOUT.
2.) SHEET 2, UNIT FLOW SCHEMATIC.
3.) INLET CONNECTIONS: 1-1/2" FNPT X 3.
4.) OUTLET CONNECTION: 2" FNPT X 1.
5.) POWER CONNECTION: 1- 208, 230, OR 460 VOLT.
6.) WHEN PACKAGE IS INSTALLED INTO THE FACILITY, MAKE SURE THAT THE INSTALLER REFERENCES TABLE 110.26 (A) (I) FOR MINIMUM WORKING AREA.

| | | |
|---|-------------------------------|---|
| MINUS DRAFT PLUS DRAFT TOLERANCES NOT SPECIFIED XX 0.5 XX 0.2 REG. 1-5 | AUTOCAD REL2008 LT INCH | ADDITIONAL CONTROL REQ'D BRINELL HARDNESS DO NOT SCALE DRAWING FOR DIMENSIONS Sheet 1 of 2 SCALE 1:18 |
| CONFIDENTIAL DISCLOSURE This drawing is the property of POWEREX, INC. of the SCOTT FETZER COMPANY and subject to patent or demand. Its contents are confidential and must not be copied or submitted to outside parties for use or reproduction. | | DRAWN BY: AEK CHECKED BY: GES APPROVED BY: DMS DATE: 10/1/07, 10/1/07, 10/1/07, 10/1/07 |
| PART NAME: MEDICAL SCROLL 40HP TRIPLEX DWG NO: MSET400 | | SIZE: D |

| REV | ZONE | REVISION | DATE | EDN | NAME | CHKD | |
|-----|--------|--|----------|-----|----------|------|-----|
| B-1 | ALL | RELEASE TO PRODUCT ID# | 10/11/07 | | AEK | GES | |
| C-1 | ALL | UPDATED BUILD & FLOW TO CURRENT STANDARD | 9/3/08 | | AEK | GES | |
| C-2 | ALL | REMOVED DIVERTER VALVE FROM COMPRESSOR INLETS | 9/5/08 | | AEK | DMS | |
| C-3 | 1 ALL | CORRECTED INLET DETAILS | 10/9/08 | | AEK | GES | |
| C-4 | 1 ATAB | ADDED ENCLOSURE & TRANSFORMER SIZES WEIGHTS TO BUILD | 10/23/08 | | AEK | GES | |
| D-1 | 2 ALL | UPDATED FLOW TO CURRENT PRODUCTION | 8/6/10 | | 22348 | AEK | GES |
| D-1 | ALL | UPDATED TO POWEREX SED ENCLOSURE | 9/9/11 | | 22394 | AEK | GES |
| F-1 | 1 B6 | ADDED FILTER CALL-OUTS TO DRYER CALL-OUT | 8/19/11 | | 22546 | AEK | GES |
| G-1 | 1 ALL | UPDATED TO MIMO DRIVERS | 9/8/17 | | PRE02174 | AEK | GES |
| H-1 | ALL | ADDED GAUGE TO FRONT/TOP VIEW LINED TANK | 12/14/17 | | PRE02187 | GES | DMS |
| J | ALL | UPDATED TO PRESENT ORDER MORGANTON TANK TO | 4/26/19 | | PRE02291 | GES | SA |



- NOTES:**
- 1) SHEET 1, UNIT LAYOUT.
 - 2) SHEET 2, UNIT FLOW SCHEMATIC.
 - 3) INLET CONNECTIONS: 1-1/2" FNPT X 3.
 - 4) OUTLET CONNECTION: 2" FNPT X 1.
 - 5) POWER CONNECTION: 1- 208, 230, OR 460 VOLT.

| | | |
|---|--------------------------------------|---|
| TOLERANCES NOT SPECIFIED XX ± XXX ± Z Dec 1/2 | AUTOCAD REL2008 LT INCH | DO NOT SCALE DRAWING FOR DIMENSIONS Sheet 2 of 2 SCALE 1:18 |
| CONFIDENTIAL DISCLOSURE This drawing is the property of POWEREX, Inc. or the SCOTT FELTZER COMPANY and subject to return on demand. Its contents are confidential and must not be copied or submitted to outside parties for use or reproduction. | DRAWN BY AEK | CHECKED BY GES |
| MATERIAL N/A | DATE 10/11/07 | DATE 10/11/07 |
| PART NAME ENCLOSED SCROLL FLOW SCHEMATIC | | DWG NO MSET400 |