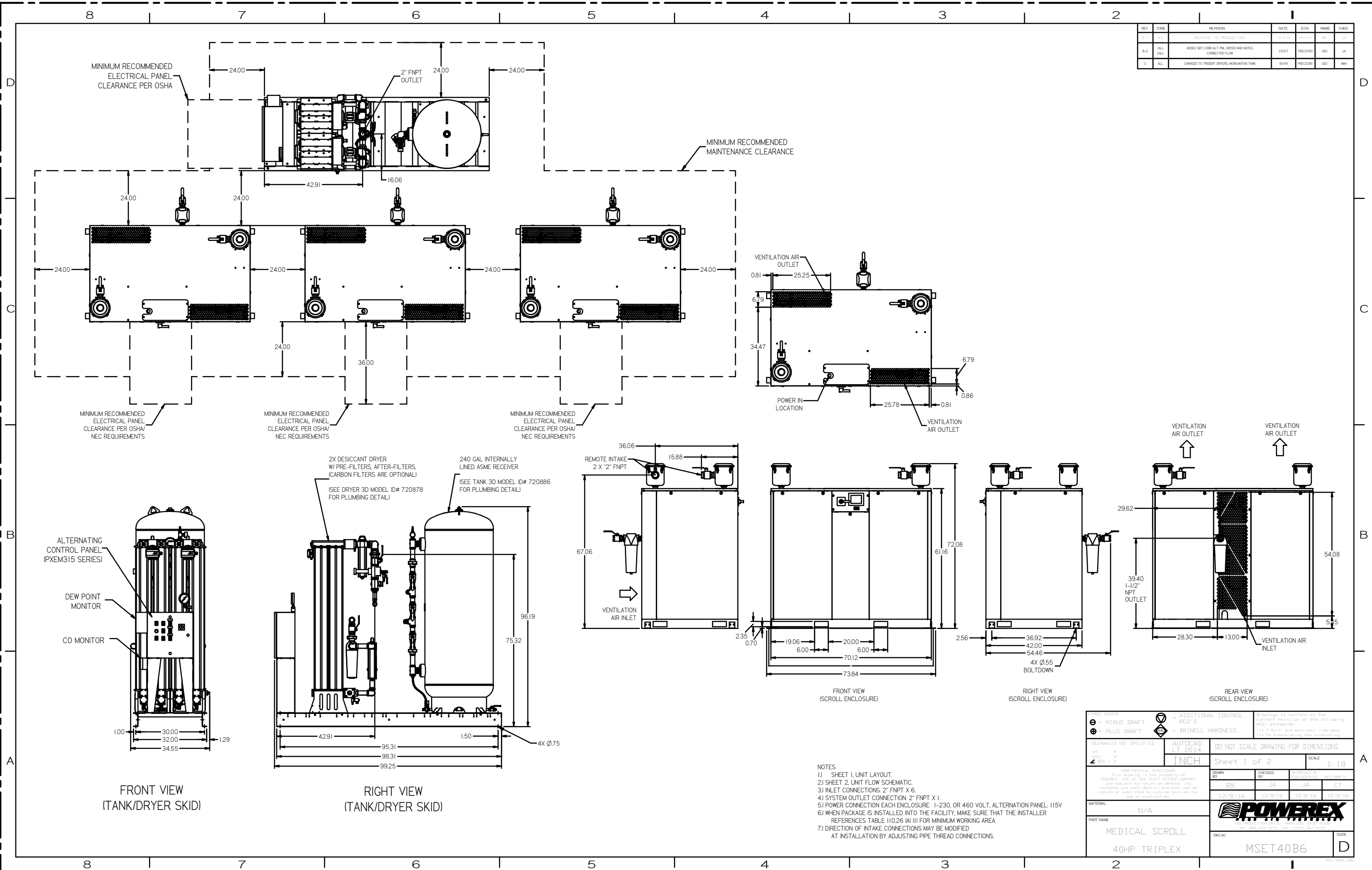


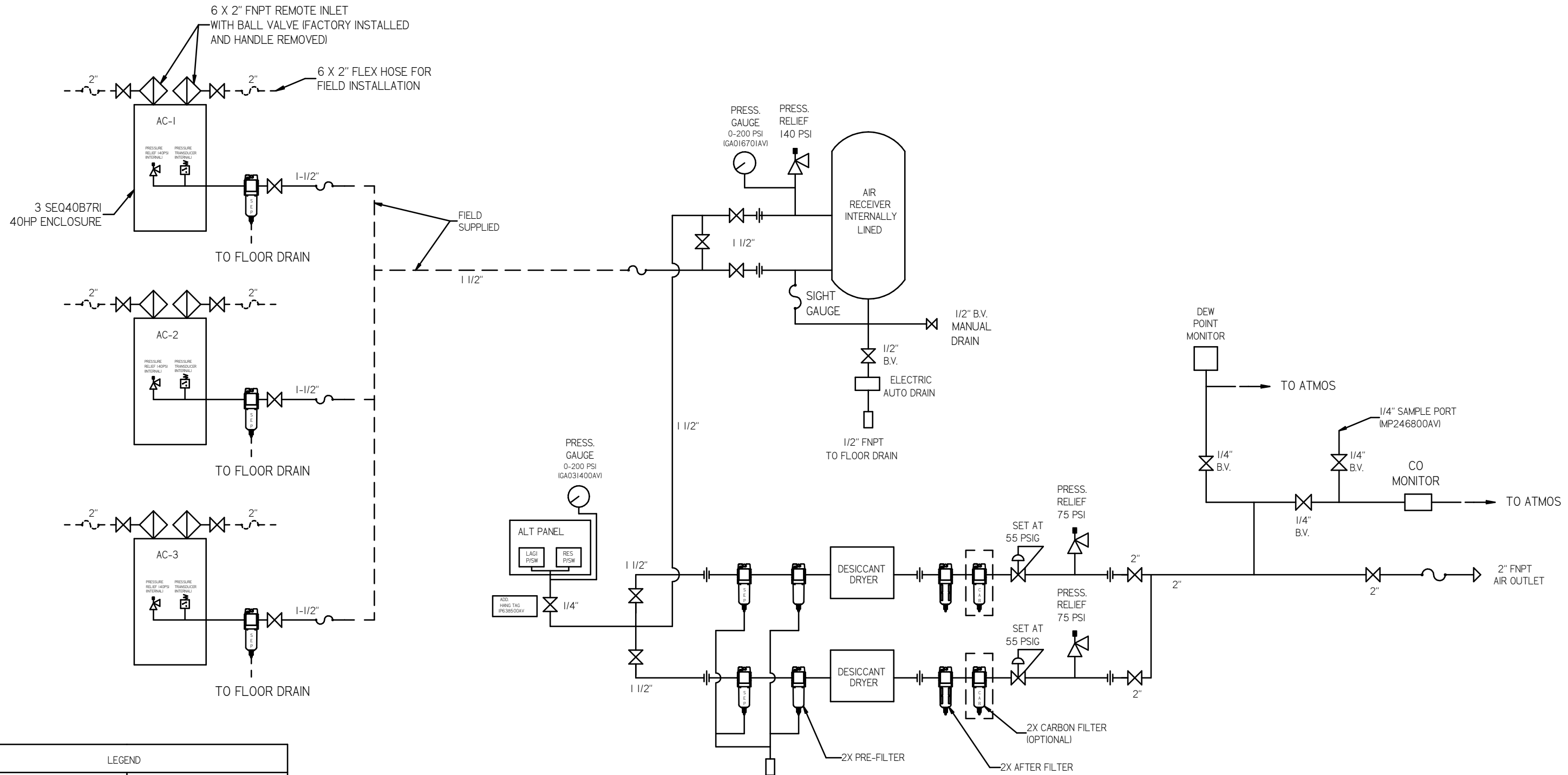
REV	ZONE	REVISION	DATE	ECN	NAME	CHKD
B-1	ALL	RELEASE TO PRODUCT ID#	12/9/16	PRE0180	RS	JA
B-2	SKID	ADDED SEP. CORR. ALT. PNL. DRIVER AND NOTES CORRECTED FLOW	1/3/17	PRE0180	GES	JA
C	ALL	CHANGED TO TRIDENT DRYERS, MORGANTON TANK	5/1/19	PRE0229	GES	MH



- NOTES
- 1) SHEET 1, UNIT LAYOUT.
 - 2) SHEET 2, UNIT FLOW SCHEMATIC.
 - 3) INLET CONNECTIONS: 2" FNPT X 6.
 - 4) SYSTEM OUTLET CONNECTION: 2" FNPT X 1.
 - 5) POWER CONNECTION EACH ENCLOSURE: 1-230, OR 460 VOLT, ALTERNATION PANEL: 115V
 - 6) WHEN PACKAGE IS INSTALLED INTO THE FACILITY, MAKE SURE THAT THE INSTALLER REFERENCES TABLE 110.26 (A) (I) FOR MINIMUM WORKING AREA.
 - 7) DIRECTION OF INTAKE CONNECTIONS MAY BE MODIFIED AT INSTALLATION BY ADJUSTING PIPE THREAD CONNECTIONS.

TOLERANCES NOT SPECIFIED: XX ± XXX ± (DEG) ±	AUTOCAD LT 2014 INCH	DO NOT SCALE DRAWING FOR DIMENSIONS Sheet 1 of 2 SCALE 1:18
CONFIDENTIAL DISCLOSURE This drawing is the property of POWEREX, Inc. of the SCOTT PETERSON COMPANY and subject to return on demand. Its contents are confidential and must not be copied or submitted to outside parties for any reason whatsoever.	DRAWN BY: RK CHECKED BY: JA APPROVED BY: JA DATE: 12/9/16	DRAWING TO CONFORM TO THE CURRENT REVISION OF THE FOLLOWING ANSI STANDARDS: Y14.3 Multi-view sectional view dep. Y14.9B Dimensioning and tolerancing
MATERIAL: N/A PART NAME: MEDICAL SCROLL 40HP TRIPLEX		DWG NO: MSET40B6 SIZE: D

REV	ZONE	REVISION	DATE	ECN	NAME	CHKD
A-1	ALL	RELEASE TO PRODUCTION	12/8/16		RK	JA
B-2	ALL	ADDED SEP. CORR. ALT. PNL. DRYER AND NOTES CORRECTED FLOW	1/31/17	PREC0180	GES	JA
C	ALL	CHANGED TO TRIDENT DRIVERS, MORGANTON TANK	5/11/19	PREC0291	GES	MHH



LEGEND	
	INTAKE FILTER
	AIR FILTER
	BALL VALVE
	CARBON FILTER
	DIVERTER VALVE
	REGULATOR
	CHECK VALVE
	SEPERATOR
	FLEX JOINT
	UNION

NOTES:
 1) SHEET 1, UNIT LAYOUT.
 2) SHEET 2, UNIT FLOW SCHEMATIC.
 3) INLET CONNECTIONS: 2" FNPT X 6.
 4) SYSTEM OUTLET CONNECTION: 2" FNPT X 1.
 5) POWER CONNECTION EACH ENCLOSURE: 1-230, OR 460 VOLT, ALTERNATION PANEL: 115V
 6) WHEN PACKAGE IS INSTALLED INTO THE FACILITY, MAKE SURE THAT THE INSTALLER REFERENCES TABLE 110.26 (A) (I) FOR MINIMUM WORKING AREA.
 7) DIRECTION OF INTAKE CONNECTIONS MAY BE MODIFIED AT INSTALLATION BY ADJUSTING PIPE THREAD CONNECTIONS.

MINUS DRAFT PLUS DRAFT TOLERANCES NOT SPECIFIED XX ± XXX ± Z (DEG) ±	AUTOCAD LT 2014 INCH	ADDITIONAL CONTROL REQ'D BRINELL HARDNESS	Drawings to conform to the following ANSI standards: 11.4.2 Multi and sectional view dgs. 11.4.38 Dimensioning and tolerancing
DO NOT SCALE DRAWING FOR DIMENSIONS Sheet 2 of 2 SCALE 1:18		CONFIDENTIAL DISCLOSURE This drawing is the property of POWEREX, INC. of the SCOTT PFEIZER COMPANY and subject to return on demand. Its contents are confidential and must not be copied or submitted to outside parties for use or examination.	
MATERIAL: N/A		PART NAME: ENCLOSED SCROLL FLOW SCHEMATIC	
Dwg No: MSET40B6		SIZE: D	