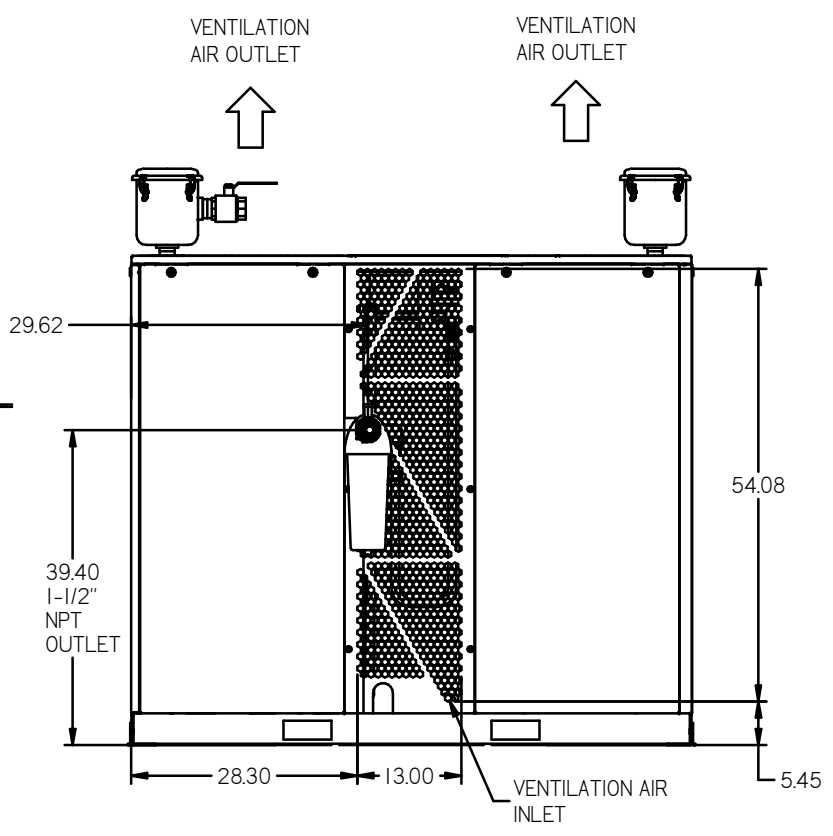
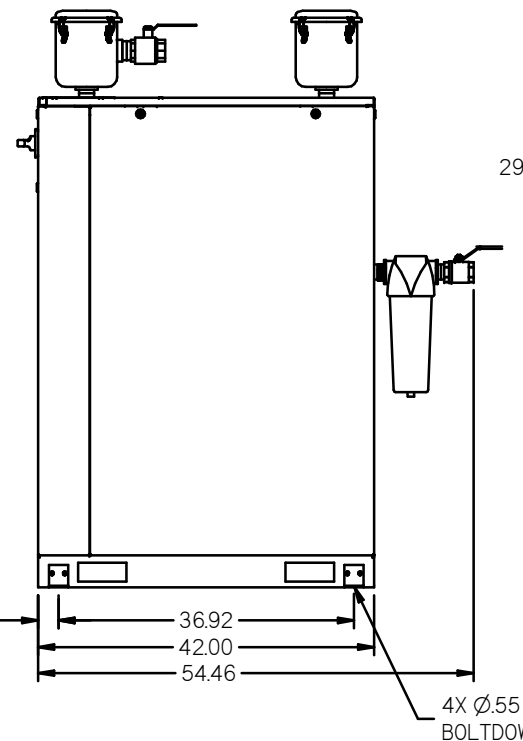
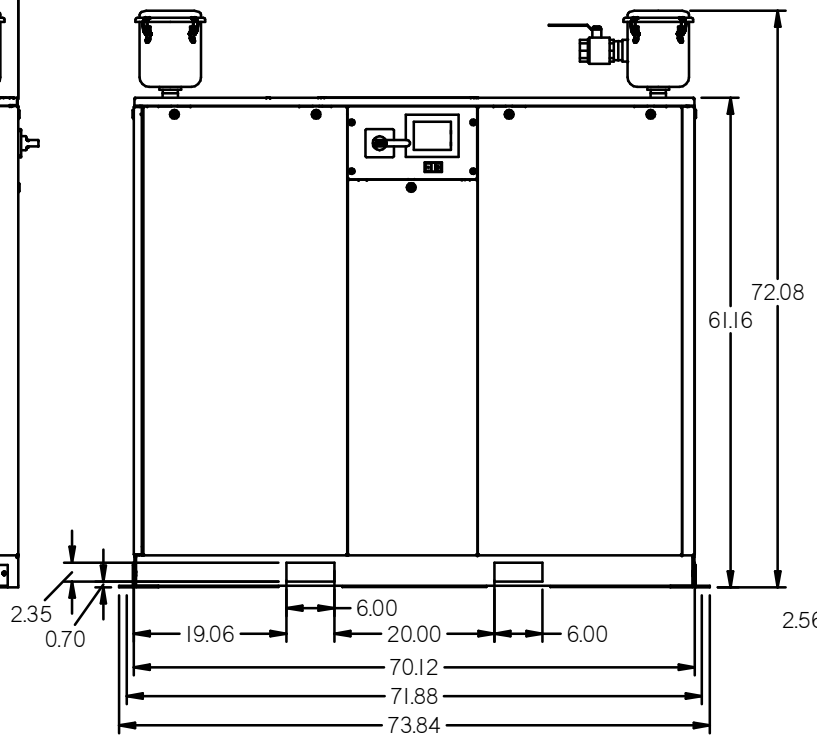
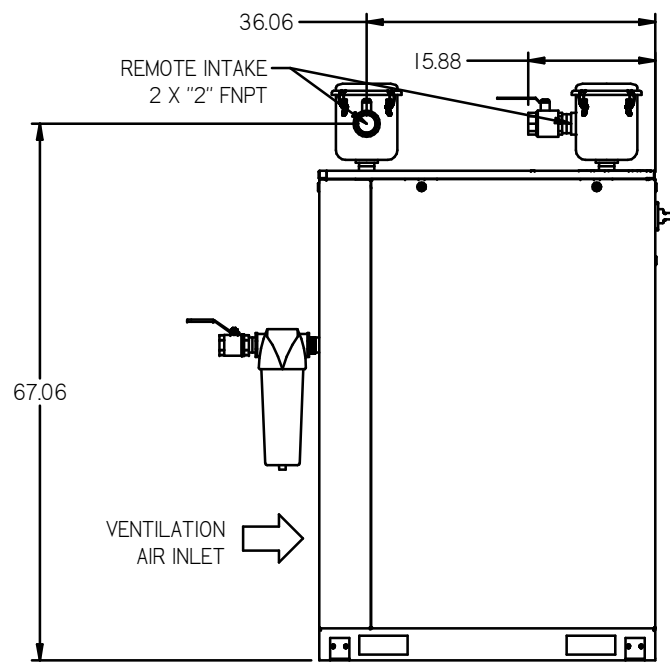
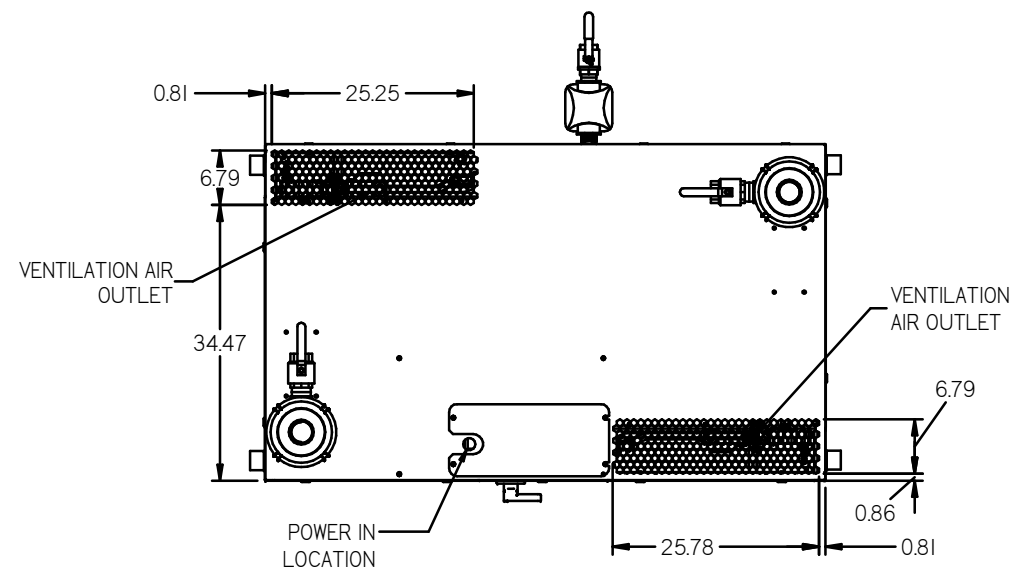


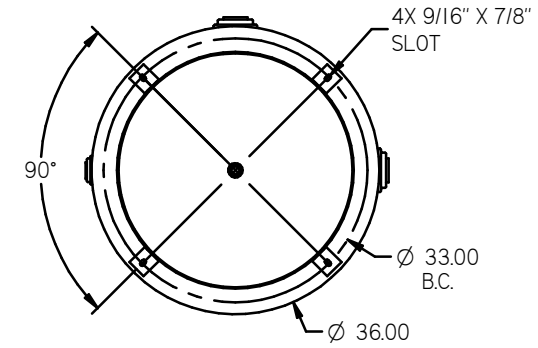
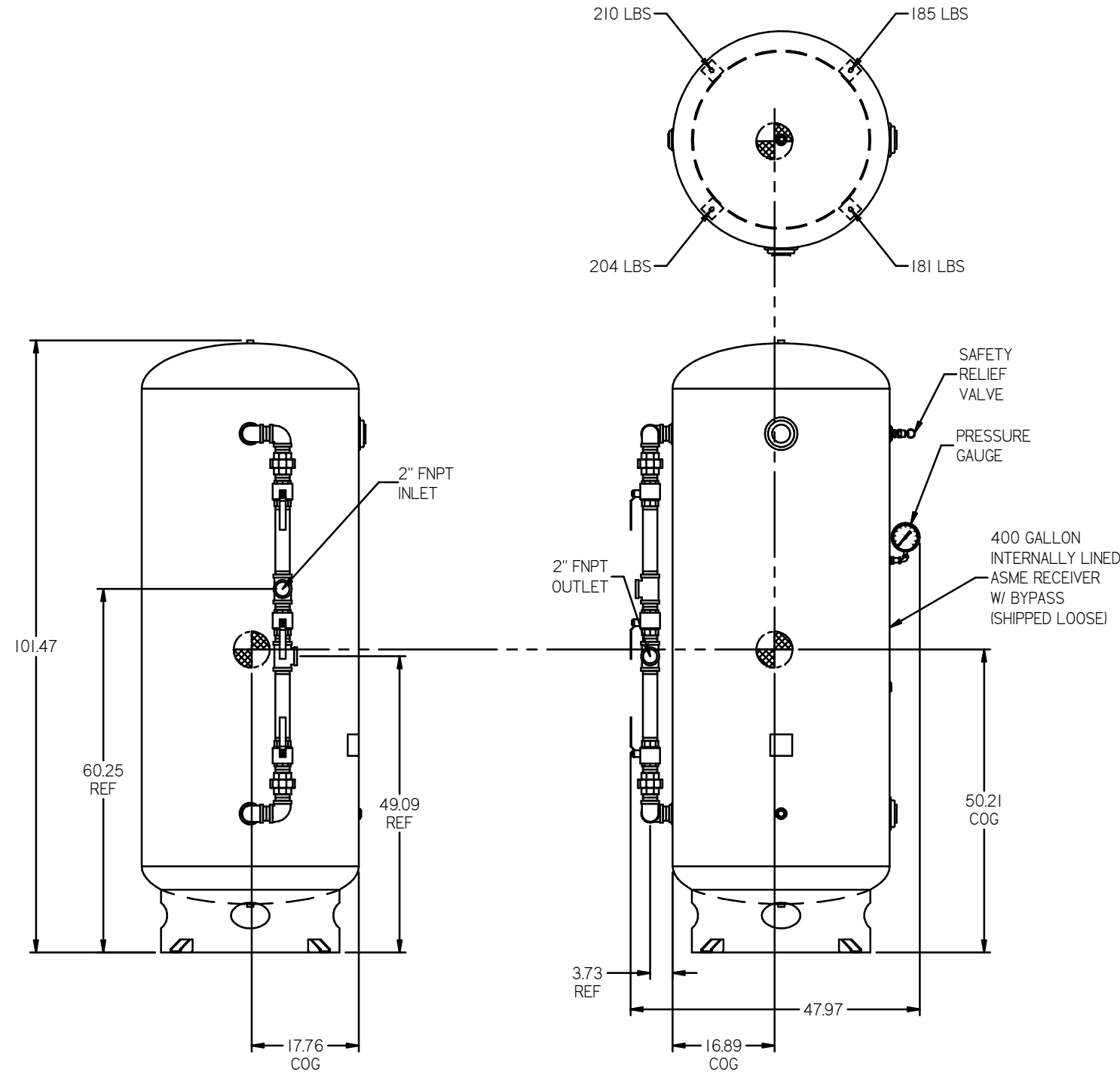
REV	ZONE	REVISION	DATE	ECN	NAME	CHKD
B-1	ALL	RELEASE TO PRODUCTION	12/8/16	PRECDH	RK	JA
B-2	ALL	ADDED OUTLET SEPARATOR ADDED LINK TO TANK NOTE CHANGED TO HAND DRIVERS CORRECTED FLOOR PLAN CORRECTED FLOW SCHEMATIC	2/17	PRECDH	GES	JA
C	ALL	CHANGED TO TRIDENT DRIVERS, UPDATED TO TC	4/25/19	PRECDH	GES	JA



- NOTES:
- SHEET 1 - SCROLL ENCLOSURE LAYOUT
  - SHEET 2 - RECEIVER LAYOUT
  - SHEET 3 - AIR TREATMENT LAYOUT
  - SHEET 4 - PLAN VIEW
  - SHEET 5 - FLOW SCHEMATIC
  - INLET CONNECTIONS: 2" FNPT X 6.
  - OUTLET CONNECTION: 2-1/2" FNPT X 1.
  - POWER CONNECTION : EACH ENCLOSURE: 1- 230, OR 460 VOLT. : ALTERNATION PANEL: 115V
  - WHEN PACKAGE IS INSTALLED INTO THE FACILITY, VERIFY THE INSTALLER REFERENCES TABLE 110.26 (A) (I) FOR MINIMUM WORKING AREA.
  - DIRECTION OF THE INTAKE CONNECTIONS MAY BE MODIFIED AT INSTALLATION BY ADJUSTING THE PIPE THREAD CONNECTIONS.

TOLERANCES NOT SPECIFIED XX ± .001 XY ± .002 Z ± .005	AUTOCAD LT 2014 INCH	DO NOT SCALE DRAWING FOR DIMENSIONS Sheet 1 of 5 SCALE 1:12
CONFIDENTIAL DISCLOSURE This drawing is the property of POWEREX, INC. of the SCOTT FETZER COMPANY and subject to return on demand. Its contents are confidential and must not be copied or submitted to outside parties for use or reproduction.	DRAWN BY: RK CHECKED BY: JA 12/8/16	DESIGNED BY: JA APPROVED BY: CT 12/8/16
MATERIAL: N/A		
PART NAME: MEDICAL SCROLL 50HP TRIPLEX	DWG NO: MSET50B7	SIZE: D

REV	ZONE	REVISION	DATE	ECN	NAME	OWN
B.1	ALL	RELEASE TO PRODUCTION	12/8/16		JA	JA
B.2	ALL	ADDED OUTLET SEPARATOR ADDED LING TO TANK NOTE CHANGED TO WAD DRESS CORRECTED FLOOR PLAN CORRECTED FLOW SCHEMATIC	2/17/17	PREC018	GES	JA
C	ALL	CHANGED TO TRIDENT DRIVERS UPDATED TO TC	4/25/19	PREC029	GES	SA



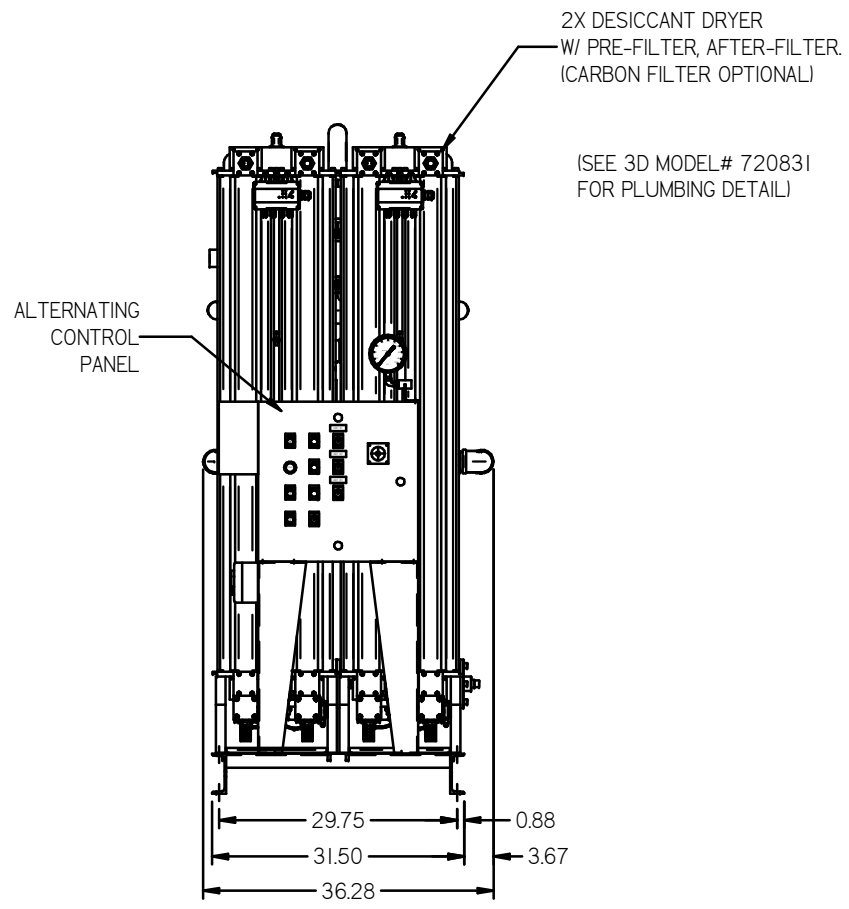
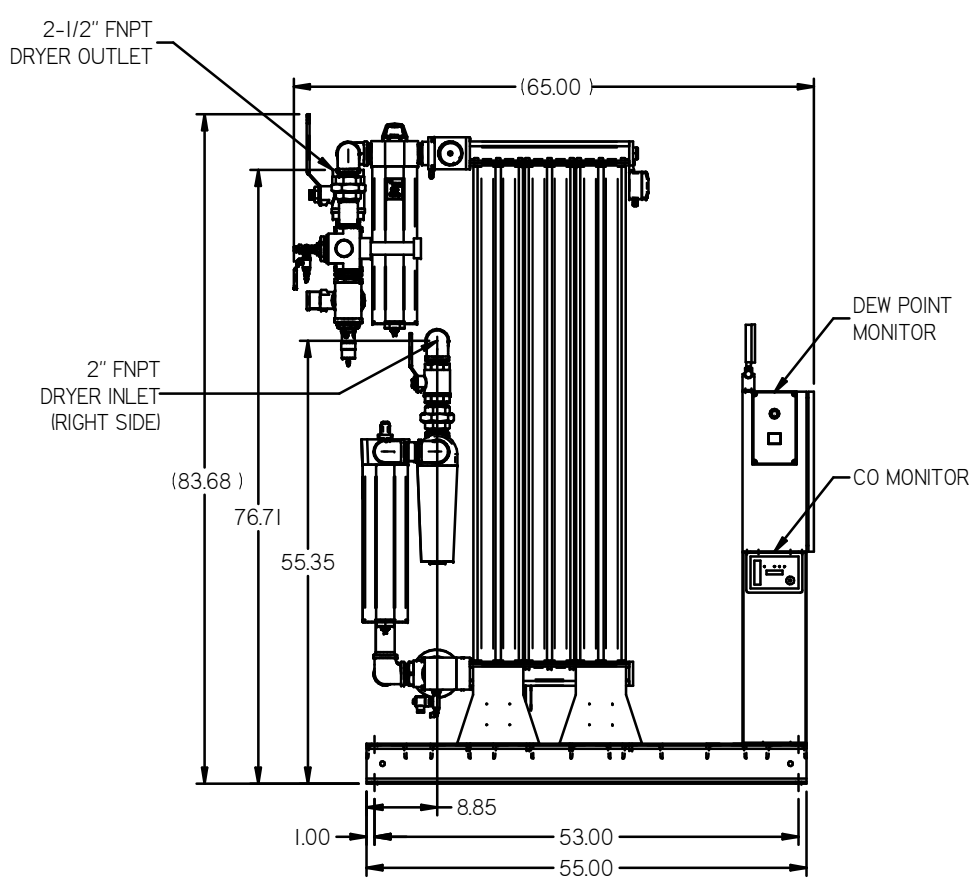
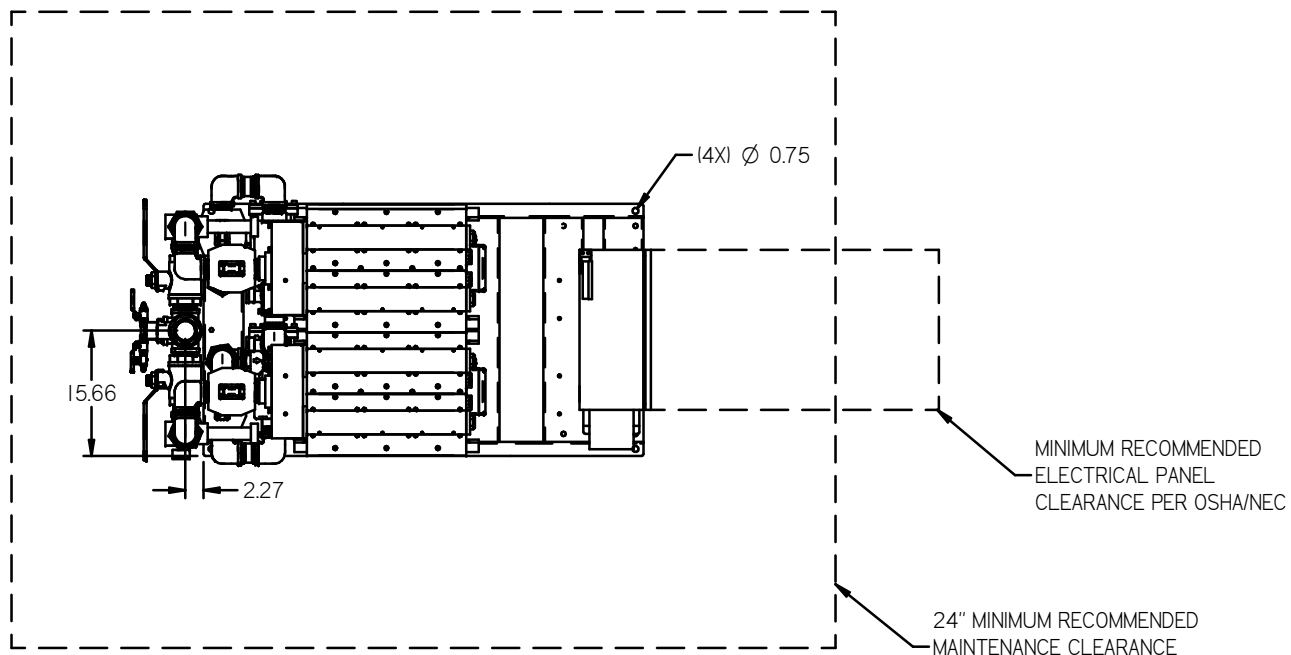
- NOTES:
- SHEET 1 - SCROLL ENCLOSURE LAYOUT
  - SHEET 2 - RECEIVER LAYOUT
  - SHEET 3 - AIR TREATMENT LAYOUT
  - SHEET 4 - PLAN VIEW
  - SHEET 5 - FLOW SCHEMATIC
  - INLET CONNECTIONS: 2" FNPT X 6.
  - OUTLET CONNECTION: 2-1/2" FNPT X 1.
  - POWER CONNECTION : EACH ENCLOSURE: 1- 230, OR 460 VOLT. : ALTERNATION PANEL: 115V
  - WHEN PACKAGE IS INSTALLED INTO THE FACILITY, VERIFY THE INSTALLER REFERENCES TABLE 110.26 (A) (I) FOR MINIMUM WORKING AREA.
  - DIRECTION OF THE INTAKE CONNECTIONS MAY BE MODIFIED AT INSTALLATION BY ADJUSTING THE PIPE THREAD CONNECTIONS.

INDICATES CENTER OF GRAVITY

RECEIVER WEIGHT - 780 LBS

TYPICAL LEGEND ⊖ = MINUS DRAFT ⊕ = PLUS DRAFT Ⓢ = ADDITIONAL CONTROL REQ'D Ⓜ = BRINELL HARDNESS		Drawings to conform to the current revision of the following ASME standards: 114.3 Multi and sectional view degn. 11.4 of Dimensioning and Tolerancing	
TOLERANCES NOT SPECIFIED XX ± .5 XXX ± .3 ▲ NEG .3		AUTOCAD LT 2014 INCH DO NOT SCALE DRAWING FOR DIMENSIONS Sheet 2 of 5 SCALE 1:12	
MATERIAL N/A PART NAME MEDICAL SCROLL 50HP TRIPLEX		CONFIDENTIAL DISCLOSURE This drawing is the property of POWEREX, INC. of the SCOTT FETZER COMPANY and subject to return on demand. Its contents are confidential and must not be copied or submitted to outside parties for use or examination. DRAWN BY RK CHECKED BY JA APPROVED BY JA DATE 12/8/16 DATE 12/8/16 DATE 12/8/16 DATE 12/8/16  DWG NO MSET50B7 SIZE D	

REV	ZONE	REVISION	DATE	ECH	NAME	CRD
B-1	ALL	RELEASE TO PRODUCT ID#	12/8/16	PREC080	RK	JA
B-2	ALL	ADDED OUTLET SEPARATOR CHANGED LING TO TANK NOTE CHANGED TO HAND DRYERS CORRECTED FLOOR PLAN CORRECTED FLOW SCHEMATIC	2017	PREC080	GES	JA
C	ALL	CHANGED TO TRIDENT DRYERS, UPDATED TO TC	4/25/19	PREC028	GES	SJA

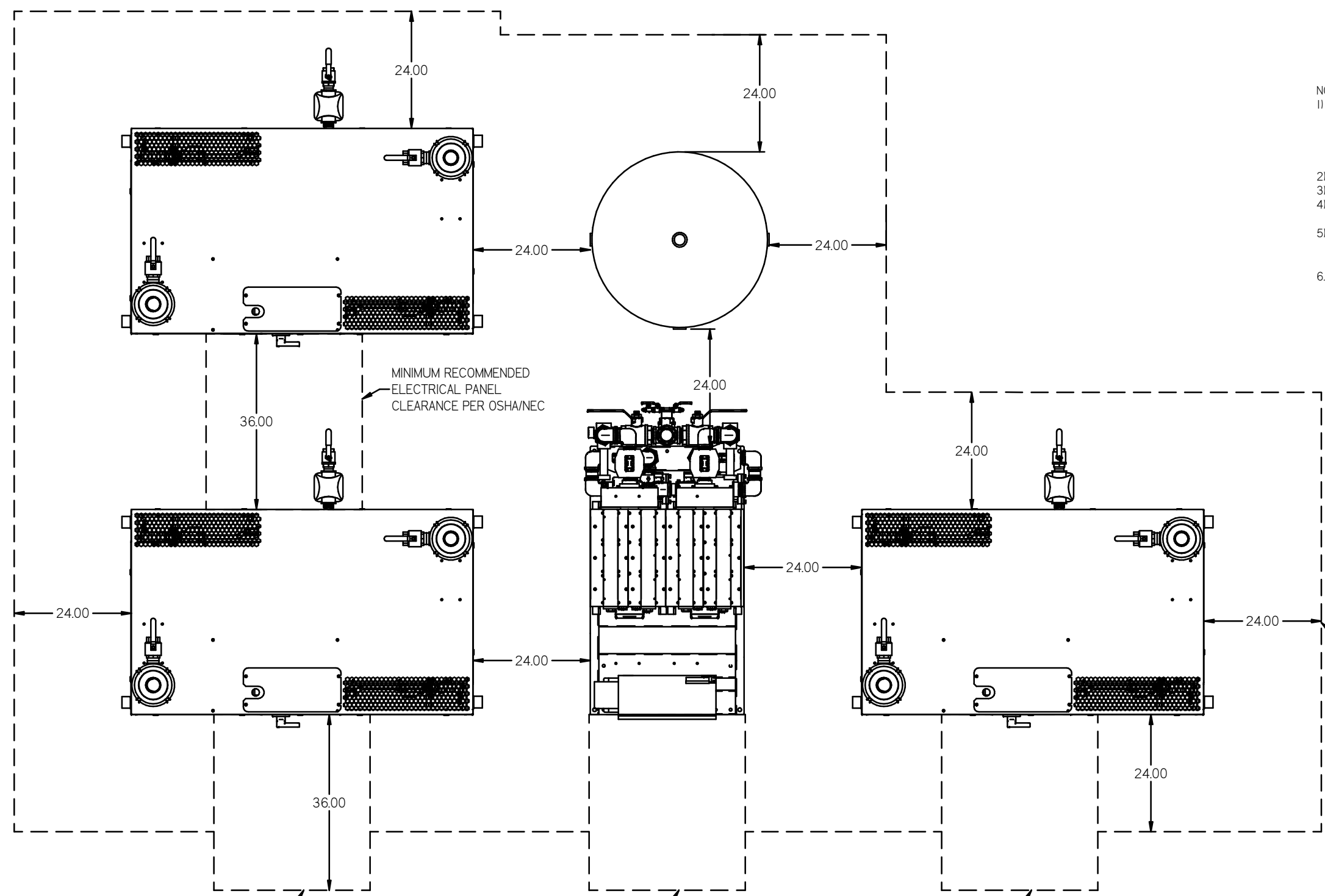


- NOTES:
- SHEET 1 - SCROLL ENCLOSURE LAYOUT  
SHEET 2 - RECEIVER LAYOUT  
SHEET 3 - AIR TREATMENT LAYOUT  
SHEET 4 - PLAN VIEW  
SHEET 5 - FLOW SCHEMATIC
  - INLET CONNECTIONS: 2" FNPT X 6.
  - OUTLET CONNECTION: 2-1/2" FNPT X 1.
  - POWER CONNECTION : EACH ENCLOSURE: 1- 230, OR 460 VOLT. : ALTERNATION PANEL: 115V
  - WHEN PACKAGE IS INSTALLED INTO THE FACILITY, VERIFY THE INSTALLER REFERENCES TABLE 110.26 (A) (I) FOR MINIMUM WORKING AREA.
  - DIRECTION OF THE INTAKE CONNECTIONS MAY BE MODIFIED AT INSTALLATION BY ADJUSTING THE PIPE THREAD CONNECTIONS.

TOLERANCES NOT SPECIFIED XX ± XXX ± 4 DEC 1/2	AUTOCAD LT 2014 INCH	DO NOT SCALE DRAWING FOR DIMENSIONS Sheet 3 of 5 SCALE 1:12
CONFIDENTIAL DISCLOSURE This drawing is the property of POWEREX, INC. or THE SCOTT FETZER COMPANY and subject to return on demand. Its contents are confidential and must not be copied or submitted to outside parties for use or reproduction.	DRAWN BY RK	CHECKED BY JA
MATERIAL N/A	DATE 12/8/16	DATE 12/8/16
PART NAME MEDICAL SCROLL 50HP TRIPLEX		
DWG NO MSET50B7	SIZE D	

REV	ZONE	REVISION	DATE	ECN	NAME	CHKD
1	ALL	RELEASE TO PRODUCTION	12/11/16		RK	JA
2	ALL	ADDED OUTLET SEPARATOR				
3	ALL	ADDED LINK TO TANK NOTE				
4	ALL	CHANGED TO NANO DRIVERS	2/1/17	PREC080	GES	JA
5	ALL	CORRECTED FLOOR PLAN				
6	ALL	CORRECTED FLOW SCHEMATIC				
7	ALL	CHANGED TO TRIDENT DRIVERS, UPDATED TO TC	4/25/19	PREC029	GES	SAJ

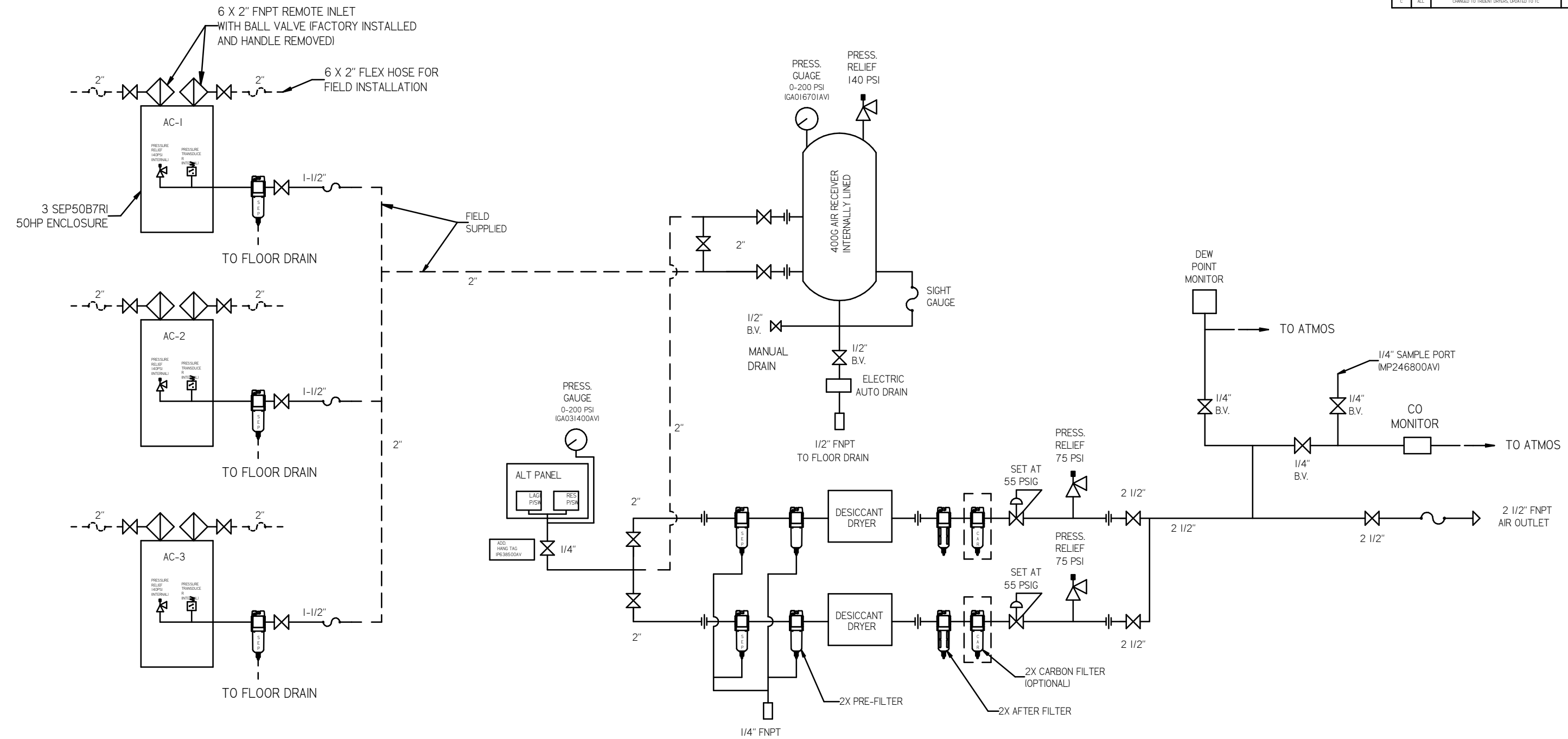
- NOTES:
- SHEET 1 - SCROLL ENCLOSURE LAYOUT  
SHEET 2 - RECEIVER LAYOUT  
SHEET 3 - AIR TREATMENT LAYOUT  
SHEET 4 - PLAN VIEW  
SHEET 5 - FLOW SCHEMATIC
  - INLET CONNECTIONS: 2" FNPT X 6.
  - OUTLET CONNECTION: 2-1/2" FNPT X 1.
  - POWER CONNECTION : EACH ENCLOSURE: 1- 230, OR 460 VOLT.  
: ALTERNATION PANEL: 115V
  - WHEN PACKAGE IS INSTALLED INTO THE FACILITY,  
VERIFY THE INSTALLER REFERENCES  
TABLE 110.26 (A) (I) FOR MINIMUM WORKING AREA.
  - DIRECTION OF THE INTAKE CONNECTIONS MAY BE MODIFIED  
AT INSTALLATION BY ADJUSTING THE PIPE THREAD CONNECTIONS.



MINUS DRAFT PLUS DRAFT TOLERANCES NOT SPECIFIED XX ± XXX ± (DEG) ±	ADDITIONAL CONTROL REQ'D BRINELL HARDNESS	Drawings to conform to the current revision of the following ANSI standards: Y14.2 Multi and sectional view dgs. Y14.38 Dimensioning and tolerancing
AUTOCAD LT 2014 INCH	DO NOT SCALE DRAWING FOR DIMENSIONS	
SHEET 4 OF 5	SCALE 1:12	
MATERIAL N/A	DRAWN BY RK	CHECKED BY JA
PART NAME MEDICAL SCROLL 50HP TRIPLEX	APPROVED BY ENGINEERING MFC/WRKTD JA	DATE 12/8/16
DWG NO MSET50B7	SIZE D	DATE 12/8/16



REV	ZONE	REVISION	DATE	ECN	NAME	CHKD
B-1	ALL	RELEASE TO PRODUCTION	12/8/16		RK	JA
B-2	ALL	ADDED OUTLET SEPARATOR ADDED LINING TO TANK NOTE CHANGED TO HAND DRIVERS CORRECTED FLOOR PLAN CORRECTED FLOW SCHEMATIC	2/8/17		PRECDRO	GES JA
C	ALL	CHANGED TO TRENT DRYERS, UPDATED TO TC	4/25/19		PRECDRO	GES SJA



LEGEND	
	INTAKE FILTER
	AIR FILTER
	BALL VALVE
	CARBON FILTER
	DIVERTER VALVE
	REGULATOR
	CHECK VALVE
	SEPERATOR
	FLEX JOINT
	UNION

- NOTES:
- SHEET 1 - SCROLL ENCLOSURE LAYOUT  
SHEET 2 - RECEIVER LAYOUT  
SHEET 3 - AIR TREATMENT LAYOUT  
SHEET 4 - PLAN VIEW  
SHEET 5 - FLOW SCHEMATIC
  - INLET CONNECTIONS: 2" FNPT X 6.
  - OUTLET CONNECTION: 2-1/2" FNPT X 1.
  - POWER CONNECTION : EACH ENCLOSURE: 1- 230, OR 460 VOLT.  
: ALTERNATION PANEL: 115V
  - WHEN PACKAGE IS INSTALLED INTO THE FACILITY, VERIFY THE INSTALLER REFERENCES TABLE 110.26 (A) (I) FOR MINIMUM WORKING AREA.
  - DIRECTION OF THE INTAKE CONNECTIONS MAY BE MODIFIED AT INSTALLATION BY ADJUSTING THE PIPE THREAD CONNECTIONS.

MINUS DRAFT PLUS DRAFT	ADDITIONAL CONTROL RED'D BRINELL HARDNESS	Drawings to conform to the current revision of the following ASME standards: 114.3 Multi and sectional view dets. 114.5M Dimensioning and tolerancing
AUTOCAD LT 2014 INCH	DO NOT SCALE DRAWING FOR DIMENSIONS Sheet 5 of 5 SCALE 1:12	
CONFIDENTIAL DISCLOSURE This drawing is the property of POWEREX, Inc. or the SCOTT FITZGER COMPANY and subject to return on demand. Its contents are confidential and must not be copied or submitted to outside parties for use or dissemination.		
MATERIAL: N/A PART NAME: MEDICAL SCROLL FLOW SCHEMATIC	DRAWN BY: RK CHECKED BY: JA 12/8/16	APPROVED BY: JA, CT 12/8/16, 12/8/16, 12/8/16
		SIZE: D MSET50B7