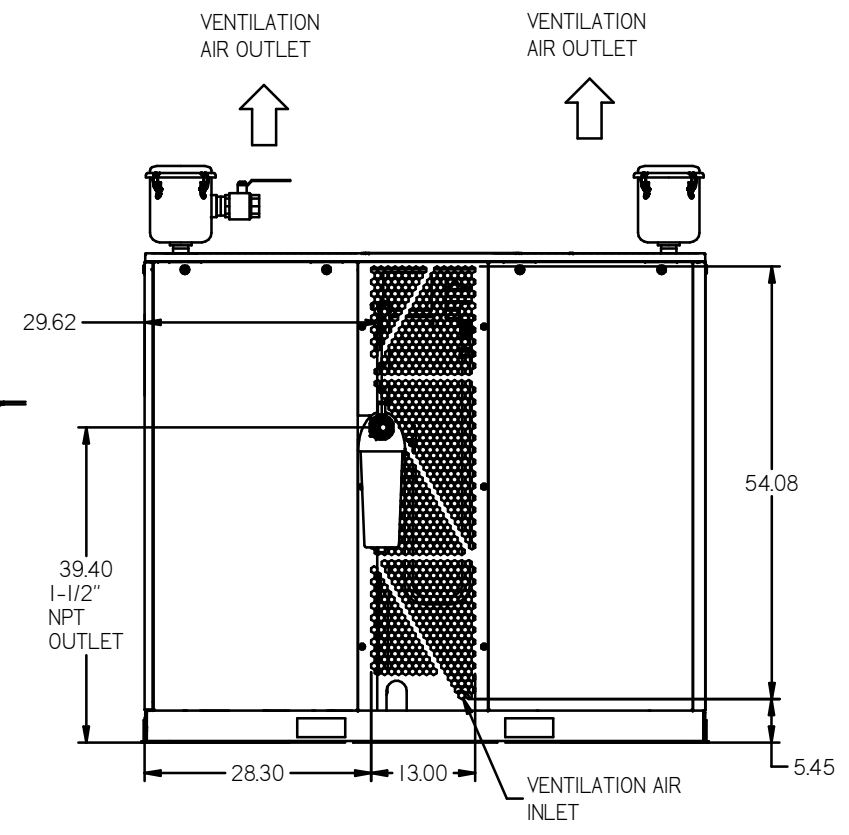
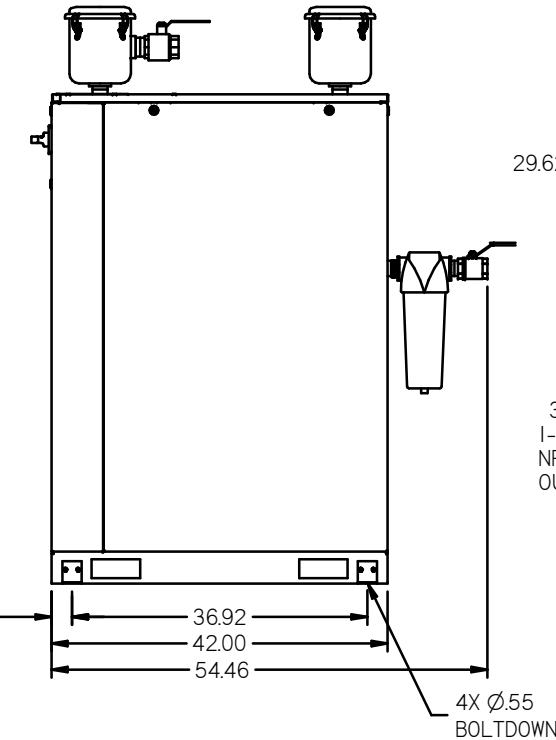
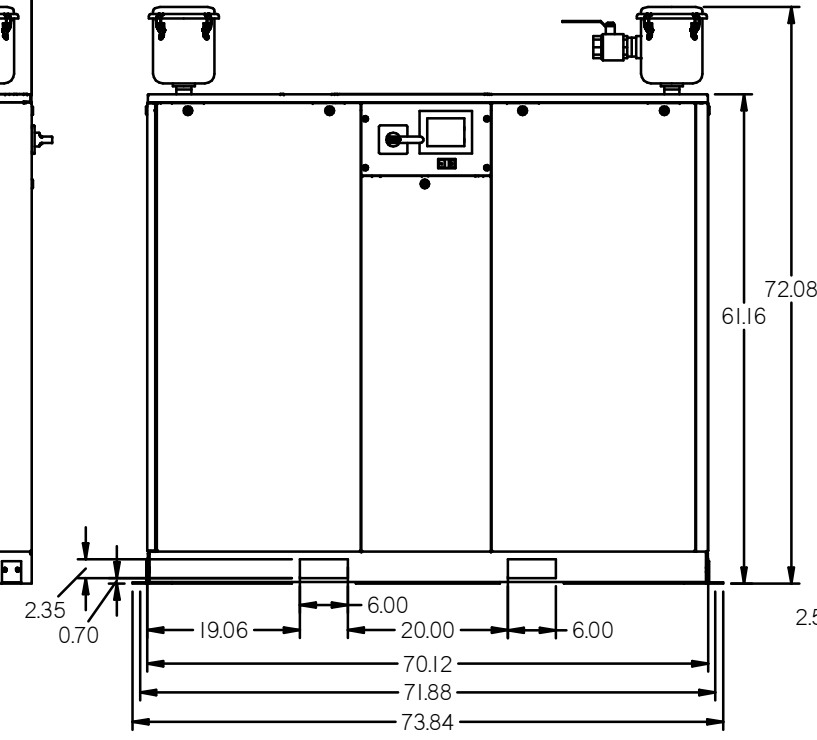
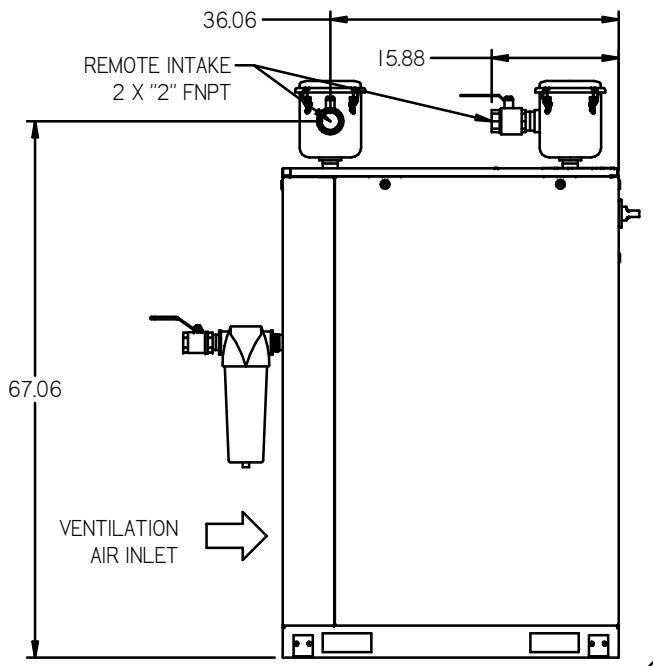
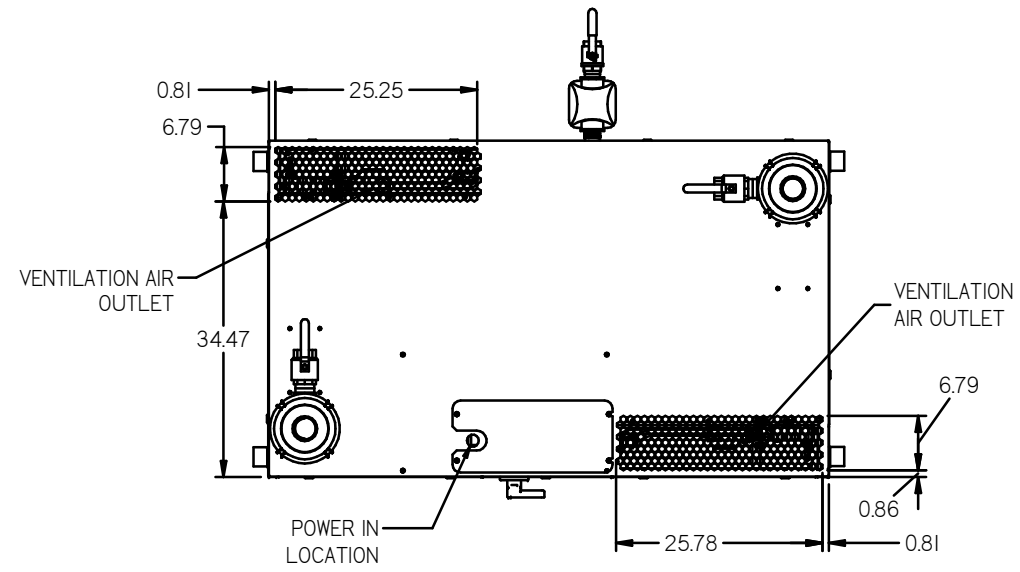


REV	ZONE	REVISION	DATE	ECN	NAME	CHKD
B-1	ALL	RELEASE TO PRODUCTION	12/8/16	PREC080	RK	JA
B-2	ALL	ADDED OUTLET SEPARATOR CHANGED TO WAGO DRIVERS CORRECTED FLOOR PLAN CORRECTED FLOW SCHEMATIC	2/1/17	PREC080	GES	JA
C	ALL	CHANGED TO TROTT DRIVERS, UPDATED TO TC	4/25/19	PREC029	GES	MM



FRONT VIEW
(SCROLL ENCLOSURE)

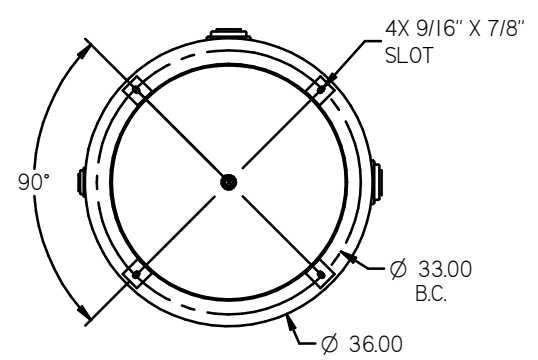
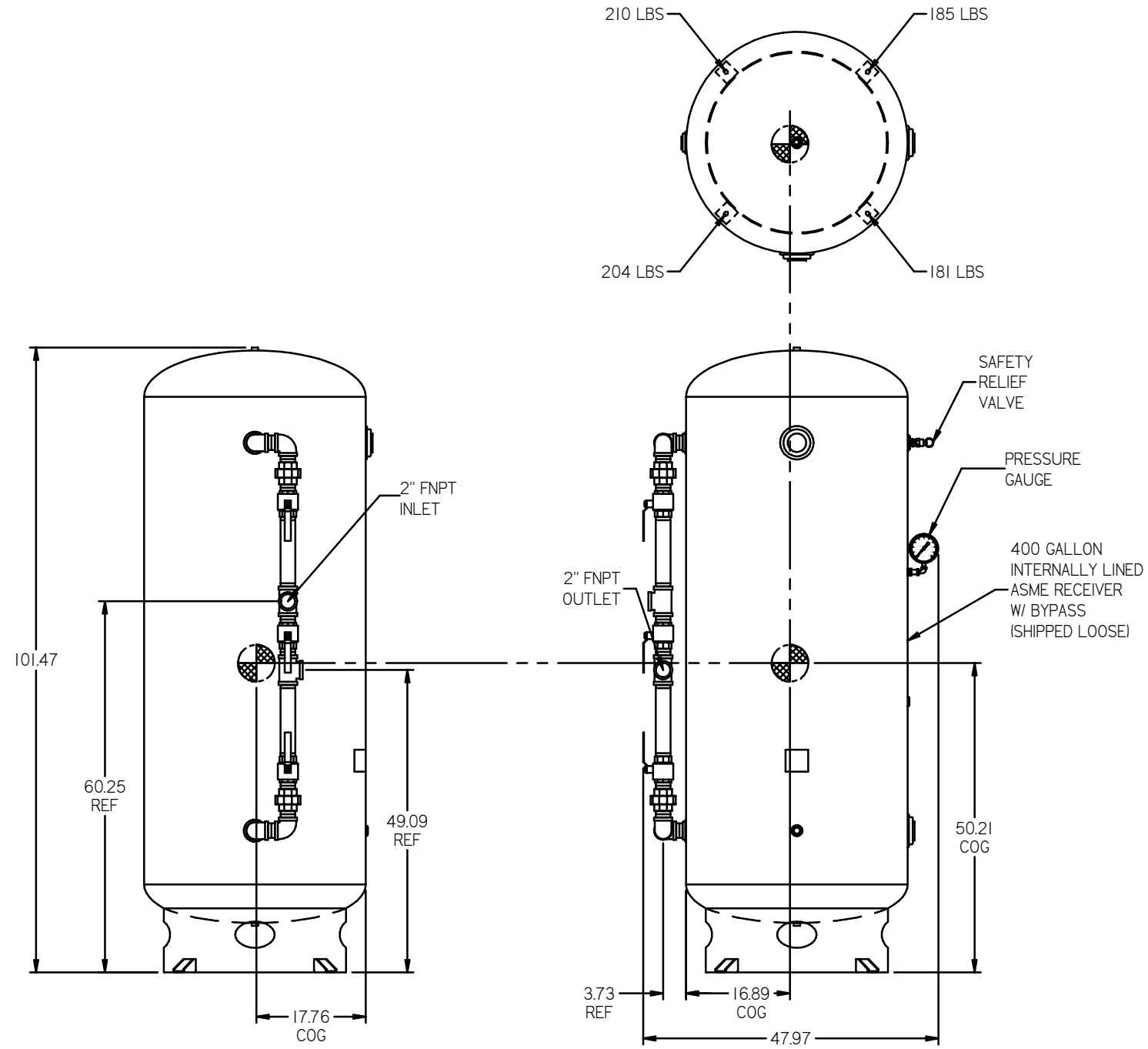
RIGHT VIEW
(SCROLL ENCLOSURE)

REAR VIEW
(SCROLL ENCLOSURE)

- NOTES:
- SHEET 1 - SCROLL ENCLOSURE LAYOUT
SHEET 2 - RECEIVER LAYOUT
SHEET 3 - AIR TREATMENT LAYOUT
SHEET 4 - PLAN VIEW
SHEET 5 - FLOW SCHEMATIC
 - INLET CONNECTIONS: 2" FNPT X 6.
 - OUTLET CONNECTION: 2-1/2" FNPT X 1.
 - POWER CONNECTION : EACH ENCLOSURE: 1- 230, OR 460 VOLT.
: ALTERNATION PANEL: 115V
 - WHEN PACKAGE IS INSTALLED INTO THE FACILITY,
VERIFY THE INSTALLER REFERENCES
TABLE 110.26 (A) (I) FOR MINIMUM WORKING AREA.
 - DIRECTION OF THE INTAKE CONNECTIONS MAY BE MODIFIED
AT INSTALLATION BY ADJUSTING THE PIPE THREAD CONNECTIONS.

MINUS DRAFT PLUS DRAFT	ADDITIONAL CONTROL REQ'D BRINELL HARDNESS	Drawings to conform to the current revision of the following ASST standards: 14.3 Units and section 1 view depth 14.54 Dimensions and tolerancing
TOLERANCES NOT SPECIFIED XX ± XXX ± Z DEC ±	AUTOCAD LT 2014 INCH	DO NOT SCALE DRAWING FOR DIMENSIONS Sheet 1 of 5 SCALE 1:12
CONFIDENTIAL DISCLOSURE This drawing is the property of POWEREX, INC. of the SCOTT FETZER COMPANY and subject to return on demand. Its contents are confidential and must not be copied or submitted to outside parties for use or reproduction.	DRAWN BY RK	CHECKED BY JA
MATERIAL N/A	12/8/16	12/8/16
PART NAME MEDICAL SCROLL 60HP TRIPLEX		
DRG NO MSET60B7	SIZE D	

REV	ZONE	REVISION	DATE	ECN	NAME	CHKD
B-1	ALL	RELEASED TO PRODUCTION	2/18/16			JA
B-2	ALL	ADDED OUTLET SEPARATOR ADDED LINING TO TANK NOTE CHANGED TO WIND DRIVERS CORRECTED FLOOR PLAN CORRECTED FLOW SCHEMATIC	2/17		PRECOB0	GES
C	ALL	CHANGED TO TRIDENT DRIVERS, UPDATED TO TC	4/25/19		PRECO291	GES



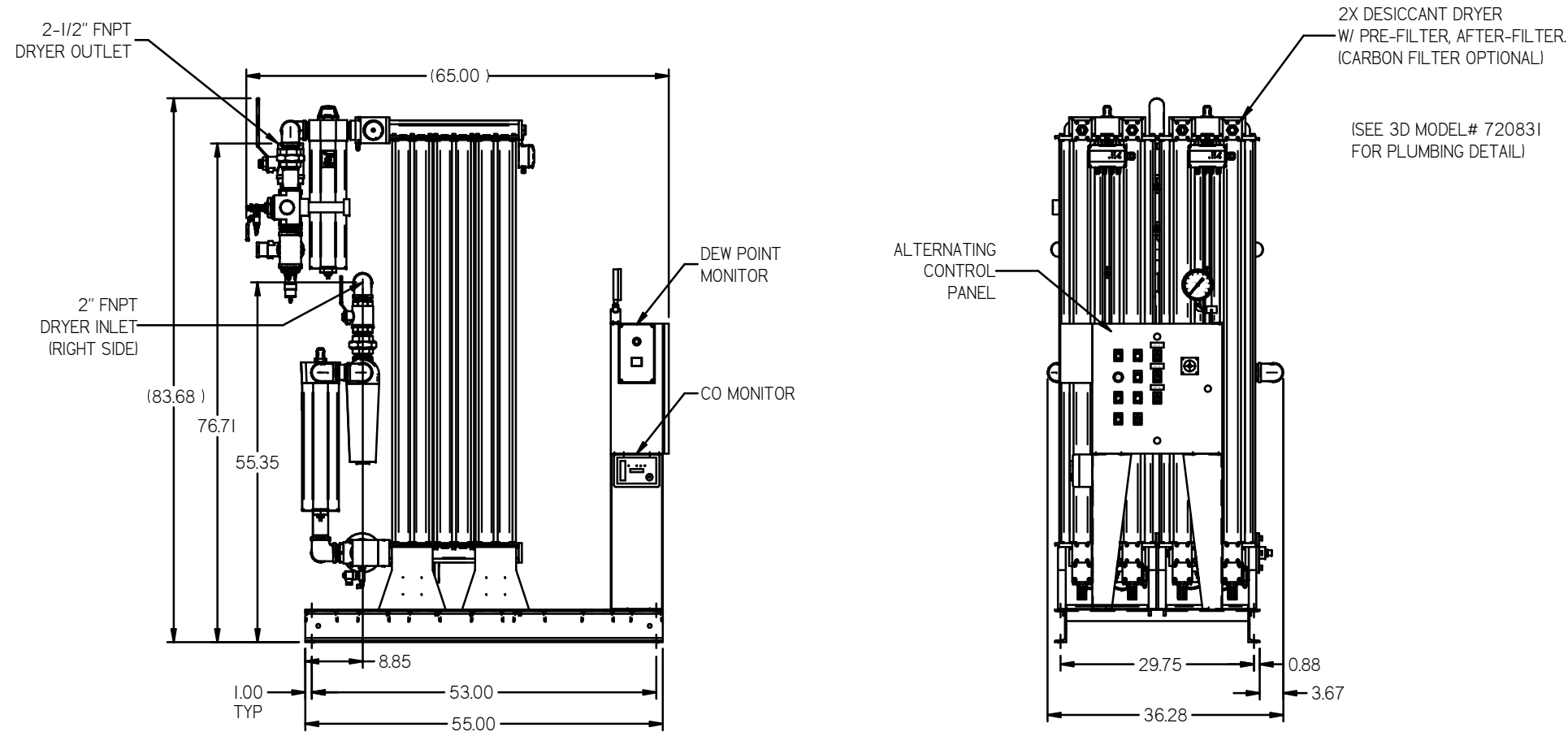
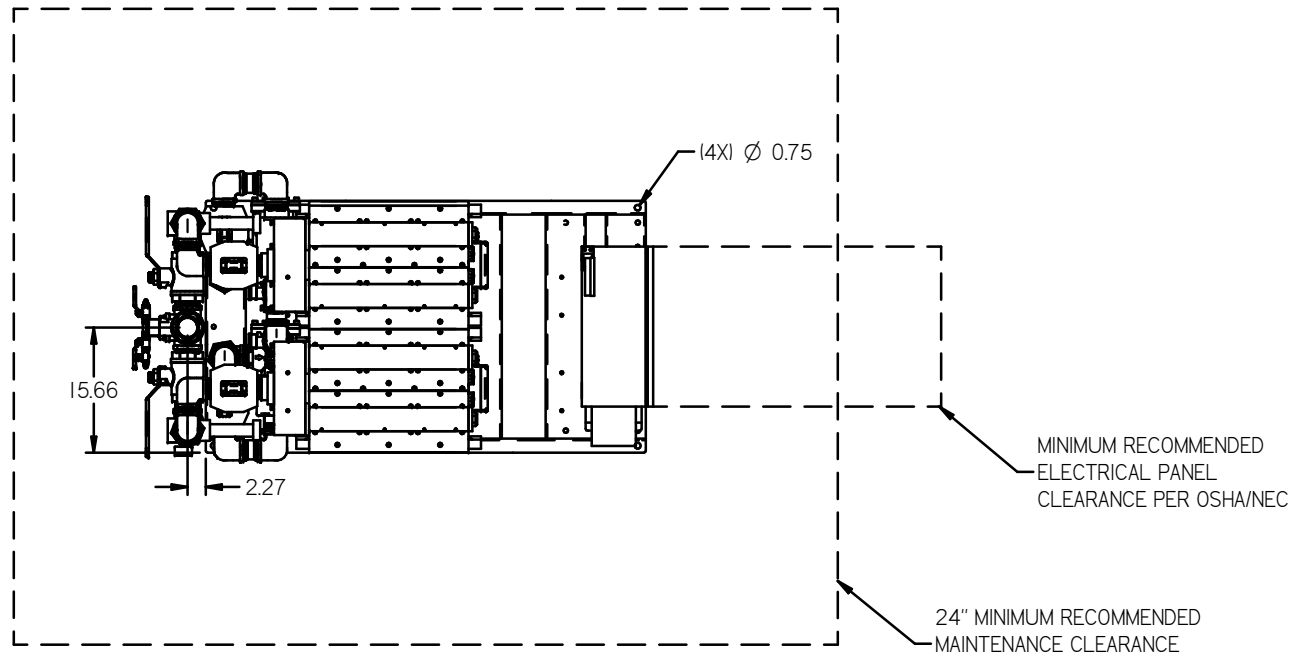
- NOTES:
- 1) SHEET 1 - SCROLL ENCLOSURE LAYOUT
SHEET 2 - RECEIVER LAYOUT
SHEET 3 - AIR TREATMENT LAYOUT
SHEET 4 - PLAN VIEW
SHEET 5 - FLOW SCHEMATIC
 - 2) INLET CONNECTIONS: 2" FNPT X 6.
 - 3) OUTLET CONNECTION: 2-1/2" FNPT X 1.
 - 4) POWER CONNECTION : EACH ENCLOSURE: 1- 230, OR 460 VOLT.
: ALTERNATION PANEL: 115V
 - 5) WHEN PACKAGE IS INSTALLED INTO THE FACILITY, VERIFY THE INSTALLER REFERENCES TABLE 110.26 (A) (I) FOR MINIMUM WORKING AREA.
 - 6) DIRECTION OF THE INTAKE CONNECTIONS MAY BE MODIFIED AT INSTALLATION BY ADJUSTING THE PIPE THREAD CONNECTIONS.

INDICATES CENTER OF GRAVITY

RECEIVER WEIGHT - 780 LBS

SYMBOL LEGEND ⊖ = MINUS DRAFT ⊕ = PLUS DRAFT ⊗ = ADDITIONAL CONTROL REQ'D ⊘ = BRINELL HARDNESS		Drawings to conform to the current revision of the following ASME standards: Y14.3 Multi and sectional view drawings Y14.9 Dimensioning and tolerancing	
TOLERANCES NOT SPECIFIED XX ± .001 XXX ± .002 2 REG. ± .005		AUTOCAD LT 2014 INCH	DO NOT SCALE DRAWING FOR DIMENSIONS Sheet 2 of 5 SCALE 1:12
CONFIDENTIAL DISCLOSURE This drawing is the property of POWEREX, INC. of THE SCOTT FETZER COMPANY and subject to return on demand. Its contents are confidential and must not be copied or submitted to outside parties for use or examination.		DRAWN BY RK 12/8/16	CHECKED BY JA 12/8/16
MATERIAL N/A		APPROVED BY JA 12/8/16	APPROVED BY CT 12/8/16
PART NAME MEDICAL SCROLL 60HP TRIPLEX		 DWG NO MSET60B7 SIZE D	

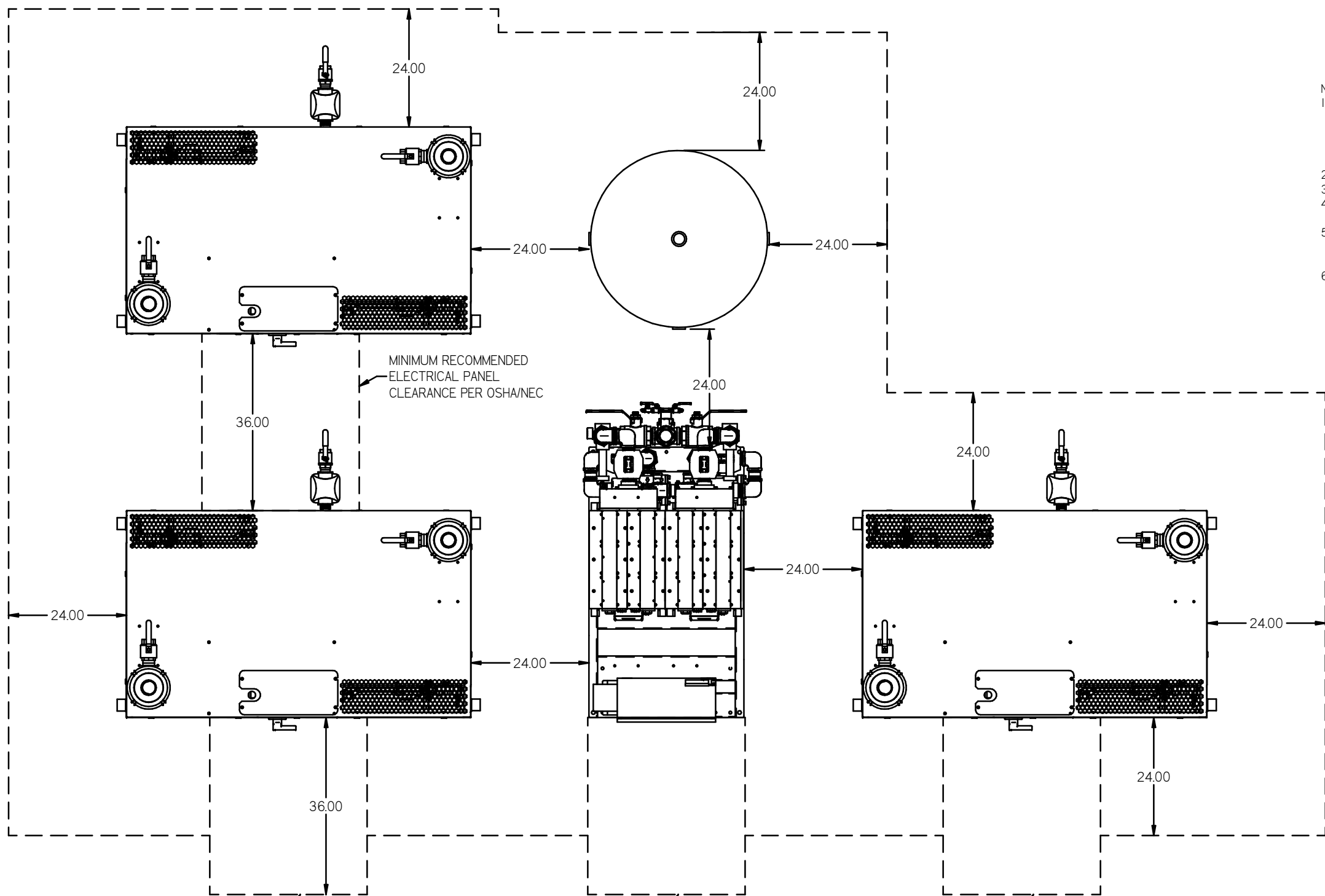
REV	ZONE	REVISION	DATE	ECN	NAME	CHKD
B-1	ALL	RELEASE TO PRODUCTION	12/1/16		JK	JK
B-2	ALL	ADDED OUTLET SEPARATOR ADDED LINKING TO TANK NOTE CHANGED TO NANO DRIVERS CORRECTED FLOOR PLAN CORRECTED FLOW SCHEMATIC	2/1/17		PREC080	GES
C	ALL	CHANGED TO TRENDS DRIVERS, UPDATED TO TC	4/25/19		PREC029	GES



- NOTES:
- SHEET 1 - SCROLL ENCLOSURE LAYOUT
SHEET 2 - RECEIVER LAYOUT
SHEET 3 - AIR TREATMENT LAYOUT
SHEET 4 - PLAN VIEW
SHEET 5 - FLOW SCHEMATIC
 - INLET CONNECTIONS: 2" FNPT X 6.
 - OUTLET CONNECTION: 2-1/2" FNPT X 1.
 - POWER CONNECTION : EACH ENCLOSURE: 1- 230, OR 460 VOLT.
: ALTERNATION PANEL: 115V
 - WHEN PACKAGE IS INSTALLED INTO THE FACILITY, VERIFY THE INSTALLER REFERENCES TABLE 110.26 (A) (I) FOR MINIMUM WORKING AREA.
 - DIRECTION OF THE INTAKE CONNECTIONS MAY BE MODIFIED AT INSTALLATION BY ADJUSTING THE PIPE THREAD CONNECTIONS.

MINUS DRAFT PLUS DRAFT TOLERANCES NOT SPECIFIED XX ± XXX ± (NEG) ±	ADDITIONAL CONTROL REQ'D BRINELL HARDNESS	Drawings to conform to the current revision of the following ANSI standards: 114.2 Multi and sectional view dgs. 14.9 Dimensions and tolerances
AUTOCAD LT 2014 INCH	DO NOT SCALE DRAWING FOR DIMENSIONS	
Sheet 3 of 5	SCALE 1:12	
CONFIDENTIAL INFORMATION This drawing is the property of POWEREX, Inc. of the SCOTT FEZTER COMPANY and subject to return on demand. Its contents are confidential and must not be copied or submitted to outside parties for use or reproduction.	DRAWN BY RK	CHECKED BY JA
MATERIAL N/A	12/8/16	12/8/16
PART NAME MEDICAL SCROLL 60HP TRIPLEX		
DWG NO MSET60B7	12/8/16	12/8/16
SIZE D		

REV	ZONE	REVISION	DATE	ECH	NAME	CHD
B-1	ALL	RELEASED TO PRODUCT DEV				
B-2	4ALL	ADDED OUTLET SEPARATOR ADDED LING TO TANK NOTE CHANGED TO HAND DRYERS CORRECTED FLOOR PLAN CORRECTED FLOW SCHEMATIC	2017	PRECIBD	GES	JA
C	ALL	CHANGED TO TRIDENT DRIVERS, UPDATED TO TC	4/25/19	PREC2291	GES	MH



- NOTES:
- SHEET 1 - SCROLL ENCLOSURE LAYOUT
SHEET 2 - RECEIVER LAYOUT
SHEET 3 - AIR TREATMENT LAYOUT
SHEET 4 - PLAN VIEW
SHEET 5 - FLOW SCHEMATIC
 - INLET CONNECTIONS: 2" FNPT X 6.
 - OUTLET CONNECTION: 2-1/2" FNPT X 1.
 - POWER CONNECTION : EACH ENCLOSURE: 1- 230, OR 460 VOLT.
: ALTERNATION PANEL: 115V
 - WHEN PACKAGE IS INSTALLED INTO THE FACILITY,
VERIFY THE INSTALLER REFERENCES
TABLE 110.26 (A) (I) FOR MINIMUM WORKING AREA.
 - DIRECTION OF THE INTAKE CONNECTIONS MAY BE MODIFIED
AT INSTALLATION BY ADJUSTING THE PIPE THREAD CONNECTIONS.

MINIMUM RECOMMENDED
ELECTRICAL PANEL
CLEARANCE PER OSHA/NEC

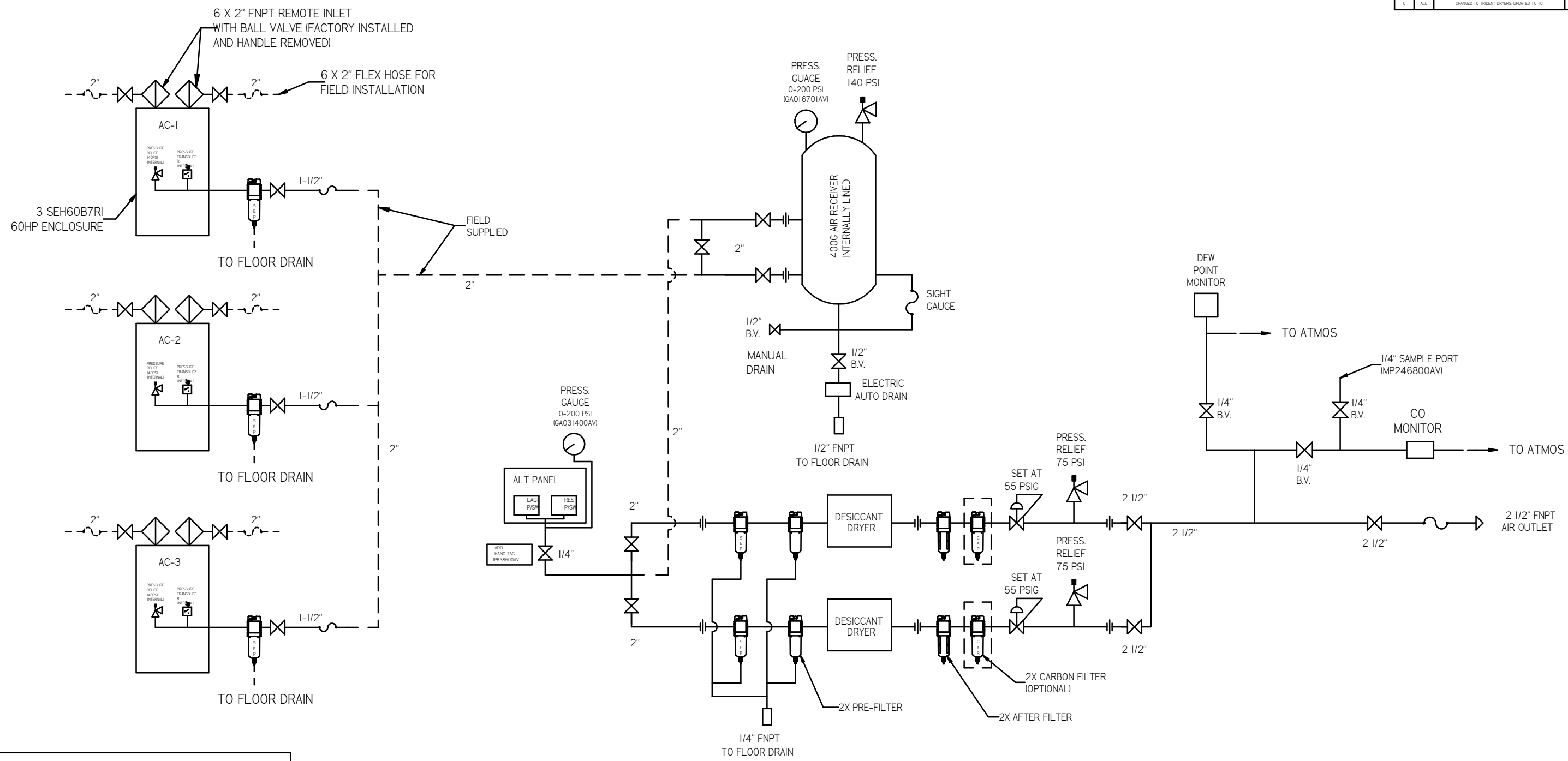
MINIMUM RECOMMENDED
ELECTRICAL PANEL
CLEARANCE PER OSHA/NEC

MINIMUM RECOMMENDED
ELECTRICAL PANEL
CLEARANCE PER OSHA/NEC

MINIMUM RECOMMENDED
MAINTENANCE CLEARANCE

SYMBOL LEGEND ⊖ = MINUS DRAFT ⊕ = PLUS DRAFT ⊕ = ADDITIONAL CONTROL REQ'D HB = BRINELL HARDNESS		Drawings to conform to the current revision of the following standards: Y14.3 Multi and sectional view tags Y14.5 Dimensioning and tolerancing	
TOLERANCES NOT SPECIFIED XX ± XXX ± .4 DEC ±		AUTOCAD Lt 2014 INCH DO NOT SCALE DRAWING FOR DIMENSIONS Sheet 4 of 5 SCALE 1:12	
CONFIDENTIAL DISCLOSURE This drawing is the property of POWEREX, INC. of the SCOTT FETZER COMPANY and subject to return on demand. Its contents are confidential and must not be copied or submitted to outside parties for use or examination.		DRAWN BY: RK CHECKED BY: JA APPROVED BY: JA CT 12/8/16 12/8/16 12/8/16 12/8/16	
MATERIAL: N/A			
PART NAME: MEDICAL SCROLL 60HP TRIPLEX		DWG NO: MSET60B7 SIZE: D	

REV	ZONE	REVISION	DATE	ECN	NAME	CHKD
B-1	ALL	RELEASE TO PRODUCT EDI	12/8/16		RK	JA
B-2	ALL	ADDED OUTLET SEPARATOR CHANGED TO HAND DRIVERS CORRECTED FLOOR PLAN CORRECTED FLOW SCHEMATIC	2/1/17		PRECOB80	GES
C	ALL	CHANGED TO TRENK DRIVERS, UPDATED TO TC	4/25/19		PRECO209	GES



LEGEND	
	INTAKE FILTER
	AIR FILTER
	BALL VALVE
	CARBON FILTER
	DIVERTER VALVE
	REGULATOR
	CHECK VALVE
	SEPERATOR
	FLEX JOINT
	UNION

- NOTES:
- 1) SHEET 1 - SCROLL ENCLOSURE LAYOUT
SHEET 2 - RECEIVER LAYOUT
SHEET 3 - AIR TREATMENT LAYOUT
SHEET 4 - PLAN VIEW
SHEET 5 - FLOW SCHEMATIC
 - 2) INLET CONNECTIONS: 2" FNPT X 6.
 - 3) OUTLET CONNECTION: 2-1/2" FNPT X 1.
 - 4) POWER CONNECTION : EACH ENCLOSURE: 1- 230, OR 460 VOLT.
: ALTERNATION PANEL: 115V
 - 5) WHEN PACKAGE IS INSTALLED INTO THE FACILITY,
VERIFY THE INSTALLER REFERENCES
TABLE 110.26 (A) (I) FOR MINIMUM WORKING AREA.
 - 6) DIRECTION OF THE INTAKE CONNECTIONS MAY BE MODIFIED
AT INSTALLATION BY ADJUSTING THE PIPE THREAD CONNECTIONS.

TOLERANCES NOT SPECIFIED XX ± XXX ± DEC 1/2	AUTOCAD LT 2014 INCH	DO NOT SCALE DRAWING FOR DIMENSIONS Sheet 5 of 5 SCALE 1:12
CONFIDENTIAL DISCLOSURE This drawing is the property of POWEREX, INC. or THE SCOTT FETZER COMPANY and subject to return on demand. Its contents are confidential and must not be copied or submitted to outside parties for use or reproduction.	DRAWN BY: RK CHECKED BY: JA 12/8/16	APPROVED BY: JA CT 12/8/16
MATERIAL: N/A PART NAME: MEDICAL SCROLL FLOW SCHEMATIC		DWG NO: MSET60B7 SIZE: D