

REV	ZONE	REVISION	DATE	ECN	NAME	CHKD
3-1	ALL	RELEASE TO PRODUCTION	1/29/15	PIEC0057	JBE	AEK
C-1	ALL	UPDATED SKID FRAME TO CORRECT WIDTH	2/25/15	PIEC0057	JBE	AEK
D-1	ALL	WAVE 1 SMALL FOOTPRINT REDESIGN	2/25/15	PIEC0057	JBE	AEK
E-1	ALL	UPDATED TO CURRENT DRAWING STANDARDS	10/13/16	PIEC0167	AEK	GES
F-1	3 ALL 2 ALL 1 ALL 1 ALL 1 ALL	CORRECTED SEPARATOR DRAIN LINES TO 1/4" ADDED NOTE TO REMOVE SEPARATOR FLOAT CORRECTED VIEW POSITIONING ADDED OVERALL DIMENSIONS ADDED OUTLINE FOR RECOMMENDED CLEARANCES UPDATED INLET TREE	01/11/17	PIEC0167	MJD	GES
G	ALL	CHANGED TO TREAT DRIVERS MORGAN TANK UPDATED TO TEAM CENTER	6/4/19	PIEC00109	GES	SJA

MINIMUM RECOMMENDED ELECTRICAL PANEL CLEARANCE PER OSHA/NEC REQUIREMENTS

24" MINIMUM RECOMMENDED MAINTENANCE CLEARANCE

2X DESICCANT DRYERS W/ PRE FILTERS & AFTER FILTERS. CARBON FILTERS ARE OPTIONAL.

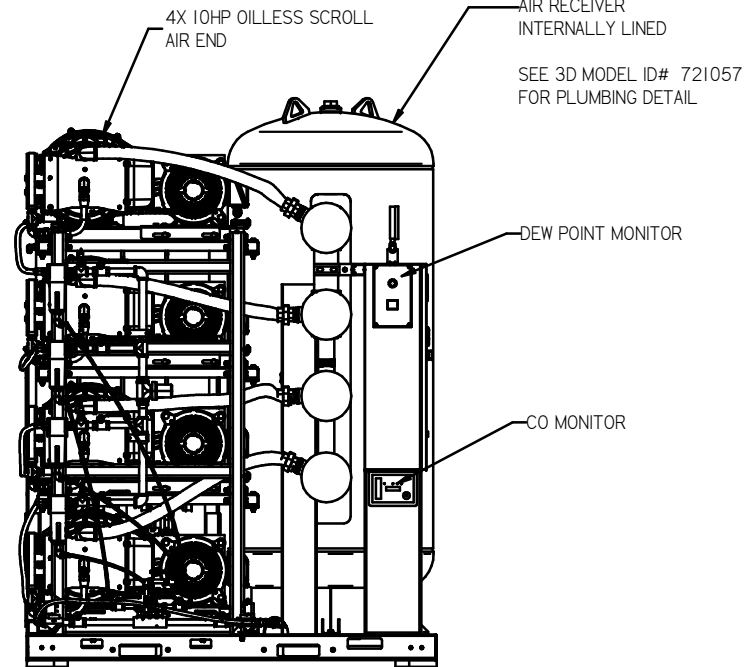
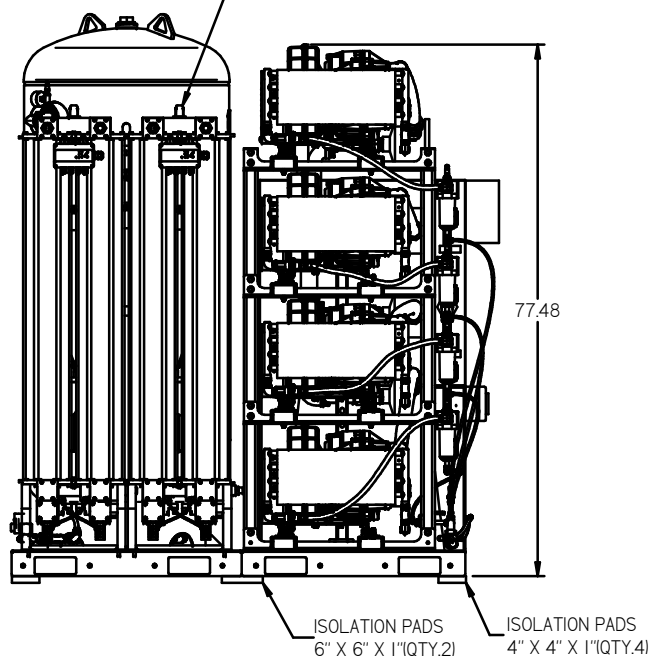
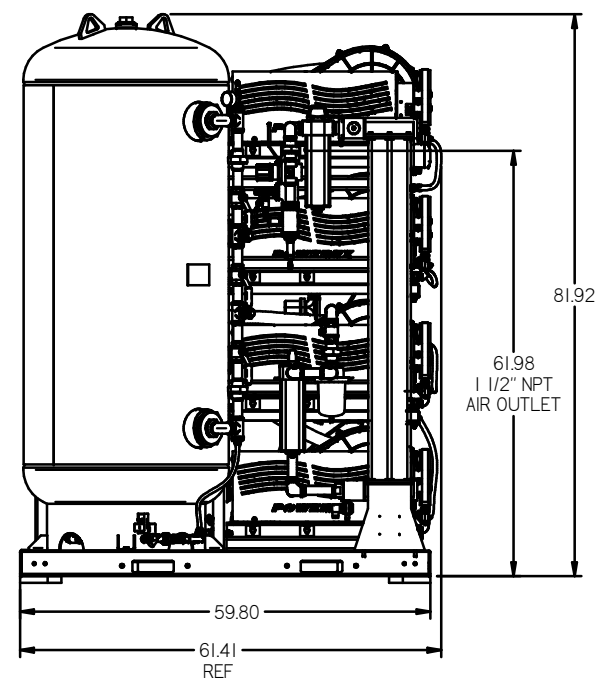
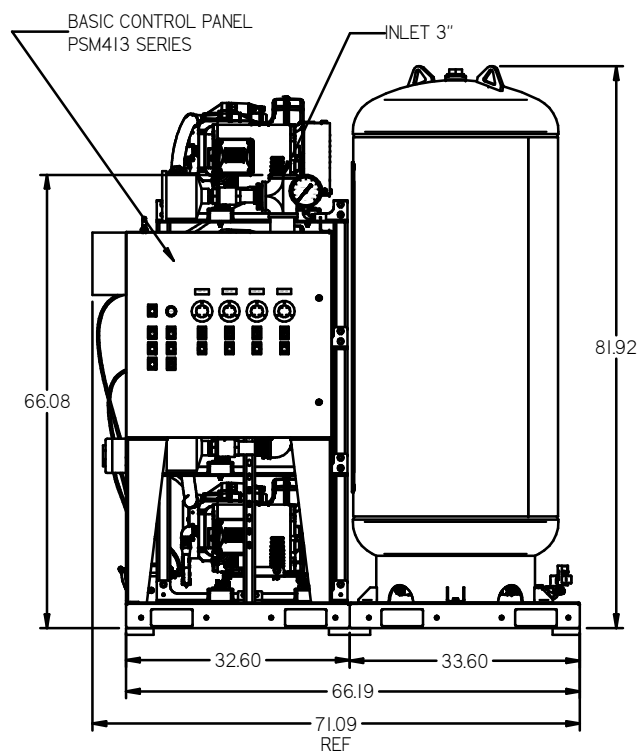
SEE 3D MODEL ID# 721048 FOR PLUMBING DETAIL

200 GALLON ASME AIR RECEIVER INTERNALLY LINED

SEE 3D MODEL ID# 721057 FOR PLUMBING DETAIL

DEW POINT MONITOR

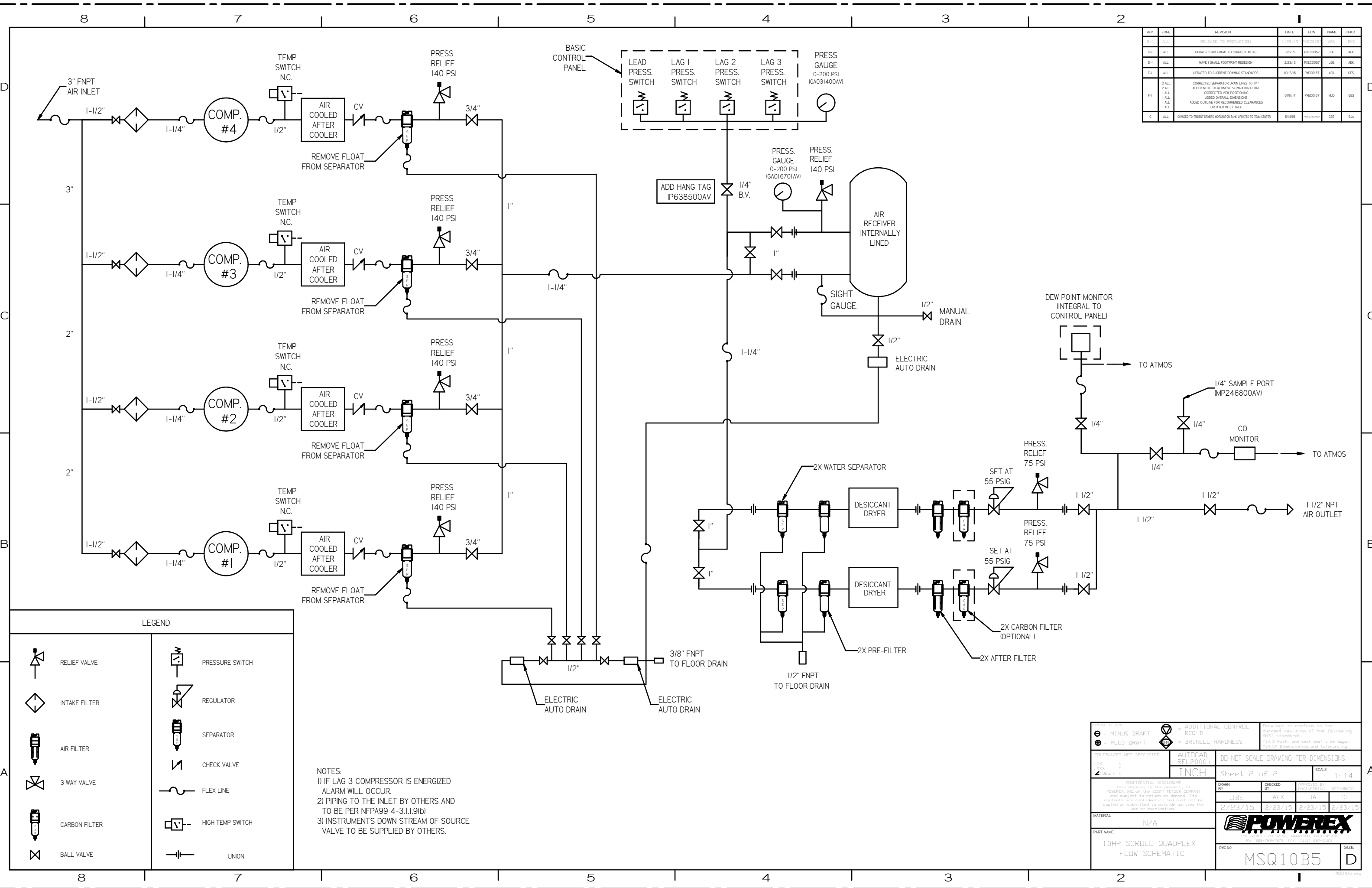
CO MONITOR



NOTE: SYSTEM DESIGNED IN COMPLIANCE WITH US NFPA'99, LATEST EDITION.

SYMBOL LEGEND: ⊖ = MINUS DRAFT ⊕ = PLUS DRAFT ⊕ = BRINELL HARDNESS	ADDITIONAL CONTROL REQ'D BRINELL HARDNESS	Drawings to conform to the current revision of the following ASME standards: Y14.3 Multi and sectional view dsgs Y14.9 Dimensioning and tolerancing
TOLERANCES NOT SPECIFIED XX ± XXX ± Z DEC. ±	AUTOCAD REL2000 INCH	DO NOT SCALE DRAWING FOR DIMENSIONS Sheet 1 of 2 SCALE 1:14
CONFIDENTIAL DISCLOSURE This drawing is the property of POWEREX, INC. of the SCOTT FETZER COMPANY and subject to return on demand. Its contents are confidential and must not be copied or submitted to outside parties for use or reproduction.		
DRAWN BY: JBE CHECKED BY: AEK APPROVED BY: JJA CT 2/23/15 2/23/15 02/20/15 2/23/15		
MATERIAL: N/A PART NAME: QUADPLEX OILLESS SCROLL 10HP, 200GAL. BASEMOUNT DUPLEX DESICCANT DWG NO: MSQ10B5 SIZE: D		

REV	ZONE	REVISION	DATE	ECN	NAME	CHKD
B-1	ALL	RELEASE TO PRODUCT 100	1/29/15	PREC005	AEK	SPS
C-1	ALL	UPDATED SMD FRAME TO CORRECT WIDTH	2/2/15	PREC007	JBE	AEK
D-1	ALL	MAKE 1 SMALL FOOTPRINT REDESIGN	2/23/15	PREC007	JBE	AEK
E-1	ALL	UPDATED TO CURRENT DRAWING STANDARDS	10/28/16	PREC017	AEK	GES
F-1	2 ALL	CORRECTED SEPARATOR DRAIN LINES TO 1/4"	01/01/17	PREC017	MJD	GES
	1 ALL	ADDED NOTE TO REMOVE SEPARATOR FLOAT				
	1 ALL	CORRECTED VIEW POSITIONING				
	1 ALL	ADDED OVERALL DIMENSIONS				
	1 ALL	ADDED OUTLINE FOR RECOMMENDED CLEARANCES				
	1 ALL	UPDATED INLET TREE				
G	ALL	CHANGED TO TIGHT DRIP WAGNER TANK, UPDATED TO TEAM CENTER	01/01/19	PREC020	GES	SJA



LEGEND

	RELIEF VALVE		PRESSURE SWITCH
	INTAKE FILTER		REGULATOR
	AIR FILTER		SEPARATOR
	3 WAY VALVE		CHECK VALVE
	CARBON FILTER		FLEX LINE
	BALL VALVE		HIGH TEMP SWITCH
			UNION

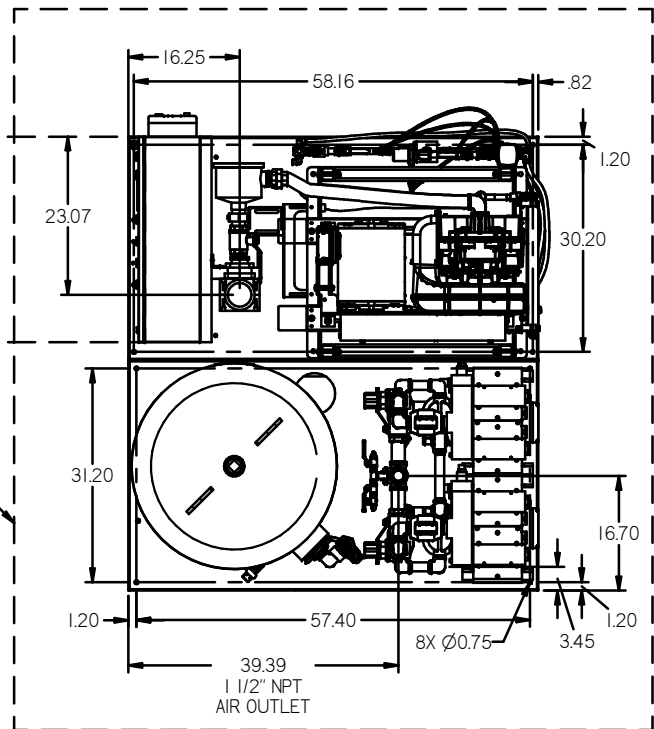
NOTES:
 1) IF LAG 3 COMPRESSOR IS ENERGIZED ALARM WILL OCCUR.
 2) PIPING TO THE INLET BY OTHERS AND TO BE PER NFPA99 4-3.1.1.9(b)
 3) INSTRUMENTS DOWN STREAM OF SOURCE VALVE TO BE SUPPLIED BY OTHERS.

<p>MINUS DRAFT</p> <p>PLUS DRAFT</p> <p>TOLERANCES NOT SPECIFIED</p> <p>XX #</p> <p>XXX #</p> <p>4 DEC #</p>	<p>ADDITIONAL CONTROL REQ'D</p> <p>BRINELL HARDNESS</p> <p>AUTOCAD REL2000</p> <p>INCH</p> <p>DO NOT SCALE DRAWING FOR DIMENSIONS</p> <p>Sheet 2 of 2</p> <p>SCALE 1:14</p>	<p>Drawings to conform to the current revision of the following ANSI standards:</p> <p>1/4, 3/8, 1/2 and optional size deg 1/4, 3/8 Dimensioning and tolerancing</p>
<p>CONFIDENTIAL DISCLOSURE</p> <p>This drawing is the property of POWEREX INC. If the SCOTT FREDERICK COMPANY and subject to return on demand. Its contents are confidential and must not be copied or submitted to outside parties for use or distribution.</p>	<p>DRWN BY: JBE</p> <p>CHEK BY: AEK</p> <p>APPROV BY: JA</p> <p>DATE: 2/23/15</p>	<p>DATE: 2/23/15</p> <p>DATE: 2/23/15</p> <p>DATE: 2/23/15</p> <p>DATE: 2/23/15</p>
<p>MATERIAL: N/A</p> <p>PART NAME: 10HP SCROLL QUADPLEX FLOW SCHEMATIC</p>	<p>POWEREX</p> <p>3000 W. 100th St. #1000</p> <p>PO BOX 1000</p>	<p>DWG NO: MSQ10B5</p> <p>SIZE: D</p>

REV	ZONE	REVISION	DATE	ECN	NAME	CHKD
B-1	ALL	RELEASE TO PRODUCT EDN	1/29/15	PREC005	AEK	SHS
C-1	ALL	UPDATED SKD FRAME TO CORRECT WIDTH	2/2/15	PREC007	JBE	AEK
D-1	ALL	WAVE 1 SMALL FOOTPRINT REDESIGN	2/23/15	PREC007	JBE	AEK
E-1	ALL	UPDATED TO CURRENT DRAWING STANDARDS	10/13/16	PREC016	AEK	GES
F-1	2 ALL	CORRECTED SEPARATOR DRAIN LINES TO 1/4"				
	2 ALL	ADDED NOTE TO REMOVE SEPARATOR FLOAT				
	1 ALL	CORRECTED VIEW POSITIONING	01/01/17	PREC016	MJD	GES
	1 ALL	ADDED OVERALL DIMENSIONS				
	1 ALL	ADDED OUTLINE FOR RECOMMENDED CLEARANCES				
	1 ALL	UPDATED INLET TREE				
G	ALL	CHANGED TO TRENDS ORDER; MOUNTING TANK UPDATED TO TEAM CENTER	01/14/19	PREC016	GES	SJA

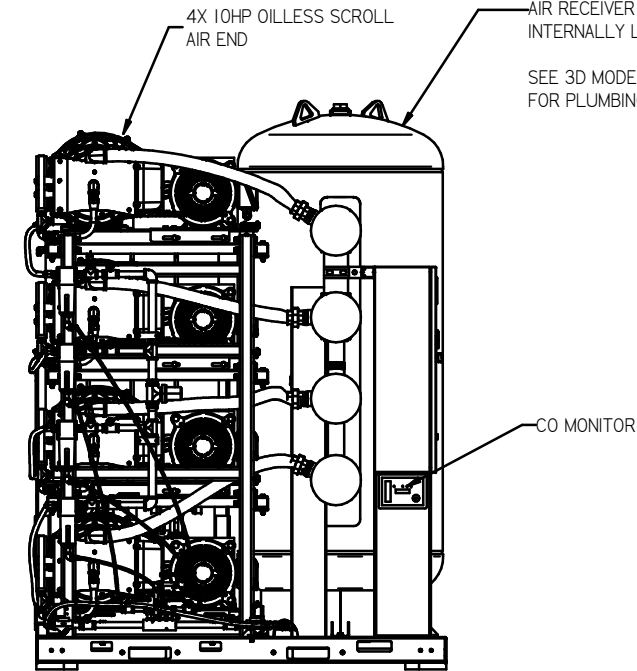
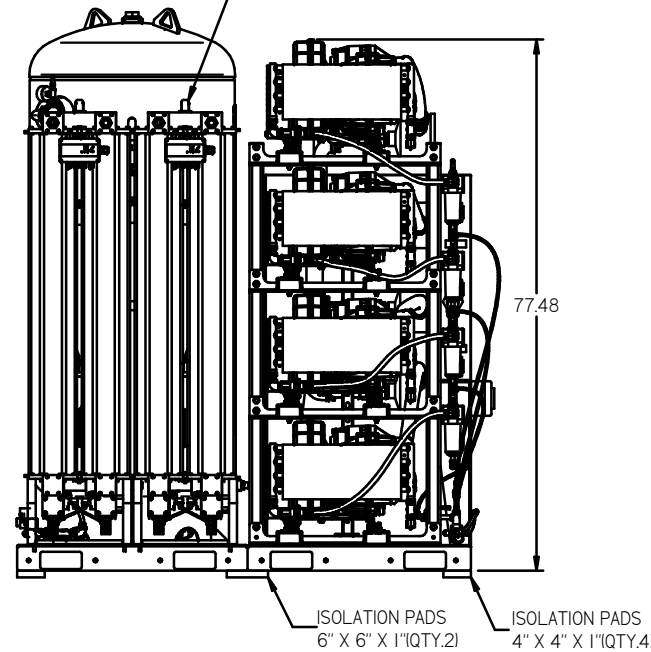
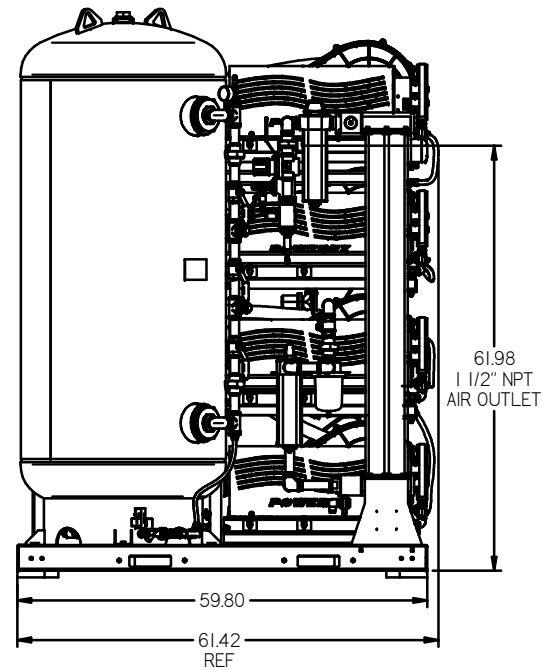
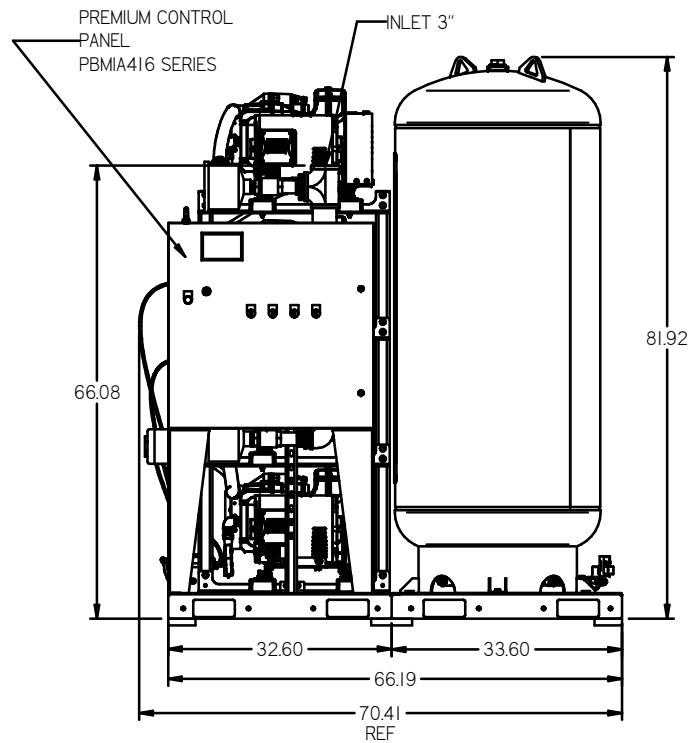
MINIMUM RECOMMENDED ELECTRICAL PANEL CLEARANCE PER OSHA/NEC REQUIREMENTS

24" MINIMUM RECOMMENDED MAINTENANCE CLEARANCE



2X DESICCANT DRYERS W/ PRE FILTERS & AFTER FILTERS. CARBON FILTERS ARE OPTIONAL.
SEE 3D MODEL ID# 721048 FOR PLUMBING DETAIL

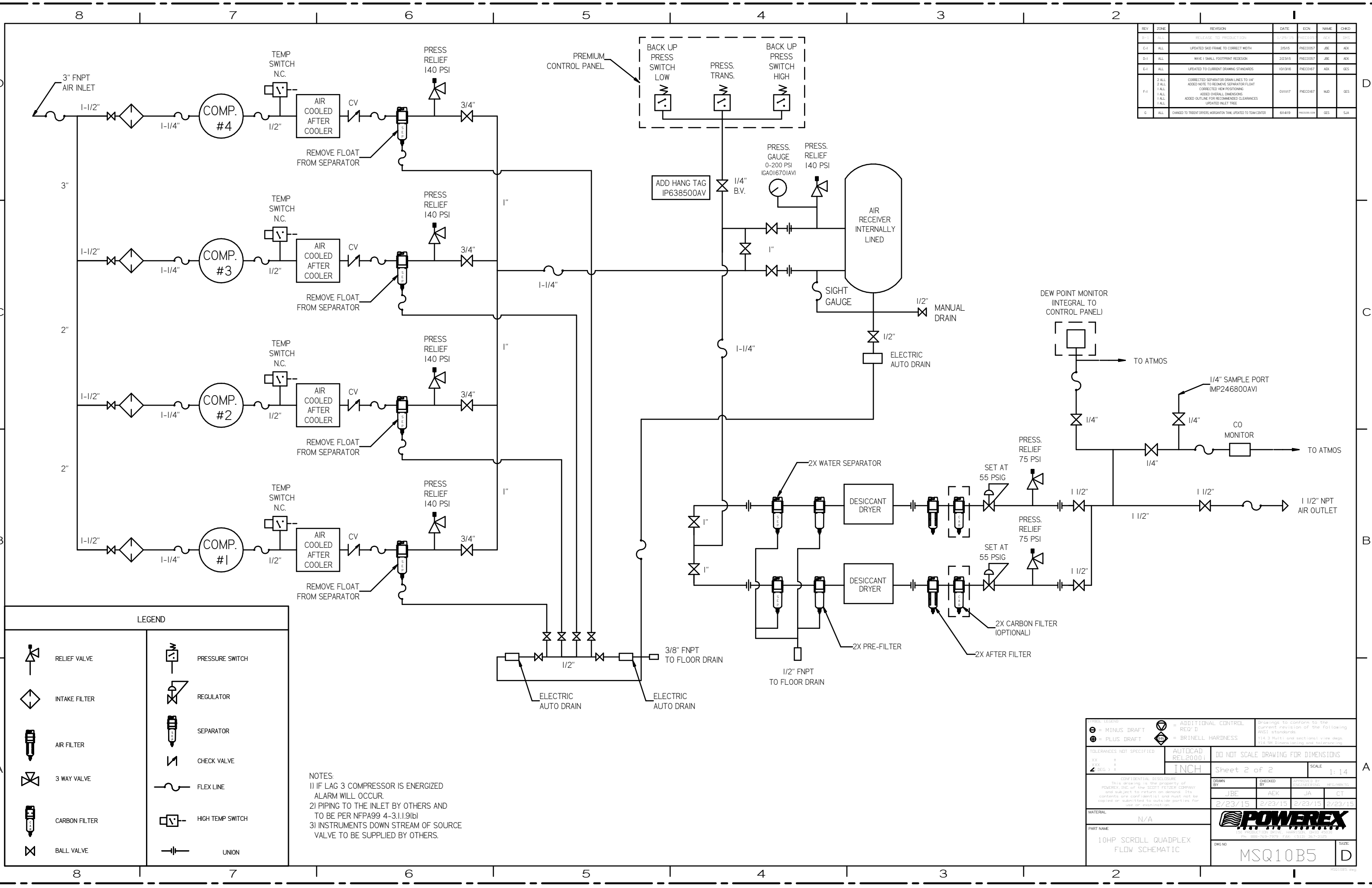
200 GALLON ASME AIR RECEIVER INTERNALLY LINED
SEE 3D MODEL ID# 721057 FOR PLUMBING DETAIL



NOTE: SYSTEM DESIGNED IN COMPLIANCE WITH US NFPA99, LATEST EDITION.

MINUS DRAFT PLUS DRAFT ADDITIONAL CONTROL REQ'D BRINELL HARDNESS	AUTOCAD REL20001 INCH DO NOT SCALE DRAWING FOR DIMENSIONS Sheet 1 of 2 SCALE 1:14
TOLERANCES NOT SPECIFIED XX ± XXX ± Z DEC ±	CONFIDENTIAL DISCLOSURE This drawing is the property of POWEREX, INC. of the SCOTT FETZER COMPANY and subject to return on demand. Its contents are confidential and must not be copied or submitted to outside parties for use or reproduction.
MATERIAL: N/A PART NAME: QUADPLEX OILLESS SCROLL 10HP, 200GAL. BASEMOUNT PXMI DUPLEX DESICCANT DWG NO: MSQ10B5 SIZE: D	DRAWN BY: JBE CHECKED BY: AEK APPROVED BY: JA DATE: 2/23/15 DATE: 2/23/15 DATE: 02/20/15 DATE: 2/23/15

REV	ZONE	REVISION	DATE	ECN	NAME	CHKD
1	ALL	RELEASED FOR PROJECT USE	1/29/15	PREC0057	JBE	AEK
C-1	ALL	UPDATED SKID FRAME TO CORRECT WIDTH	2/5/15	PREC0057	JBE	AEK
D-1	ALL	MOVE 1 SMALL FOOTPRINT REVISION	2/23/15	PREC0057	JBE	AEK
E-1	ALL	UPDATED TO CURRENT DRAWING STANDARDS	10/13/16	PREC0167	AEK	GES
F-1	ALL	CORRECTED SEPARATOR DRAIN LINES TO 1/4" ADDED NOTE TO REMOVE SEPARATOR FLOAT CORRECTED VIEW POSITIONING ADDED OVERALL DIMENSIONS ADDED OUTLINE FOR RECOMMENDED CLEARANCES UPDATED INLET TREE.	01/11/17	PREC0167	MJD	GES
G	ALL	CHANGED TO TRENK DRESS MORGAN TANK UPDATED TO TERN CENTER	6/14/19	PREC0261	GES	SJA



LEGEND

	RELIEF VALVE		PRESSURE SWITCH
	INTAKE FILTER		REGULATOR
	AIR FILTER		SEPARATOR
	3 WAY VALVE		CHECK VALVE
	CARBON FILTER		FLEX LINE
	BALL VALVE		HIGH TEMP SWITCH
			UNION

NOTES:
 1) IF LAG 3 COMPRESSOR IS ENERGIZED ALARM WILL OCCUR.
 2) PIPING TO THE INLET BY OTHERS AND TO BE PER NFPA99 4-3.1.1.9(b)
 3) INSTRUMENTS DOWN STREAM OF SOURCE VALVE TO BE SUPPLIED BY OTHERS.

TOLERANCES NOT SPECIFIED XX ± .005 XXX ± .010 Z .001 ± .005	AUTOCAD REL 2000	DO NOT SCALE DRAWING FOR DIMENSIONS Sheet 2 of 2 SCALE 1:14
CONFIDENTIAL - THIS DRAWING IS THE PROPERTY OF POWEREX, INC. OF THE SCOTT FETZER COMPANY and is subject to return on demand. Its contents are confidential and must not be copied or submitted to outside parties for use or examination.		
DRAWN BY: JBE CHECKED BY: AEK APPROVED BY: JA, CT DATE: 2/23/15, 2/23/15, 2/23/15, 2/23/15		
PART NAME: 10HP SCROLL QUADPLEX FLOW SCHEMATIC	DWG NO: MSQ10B5	SIZE: D