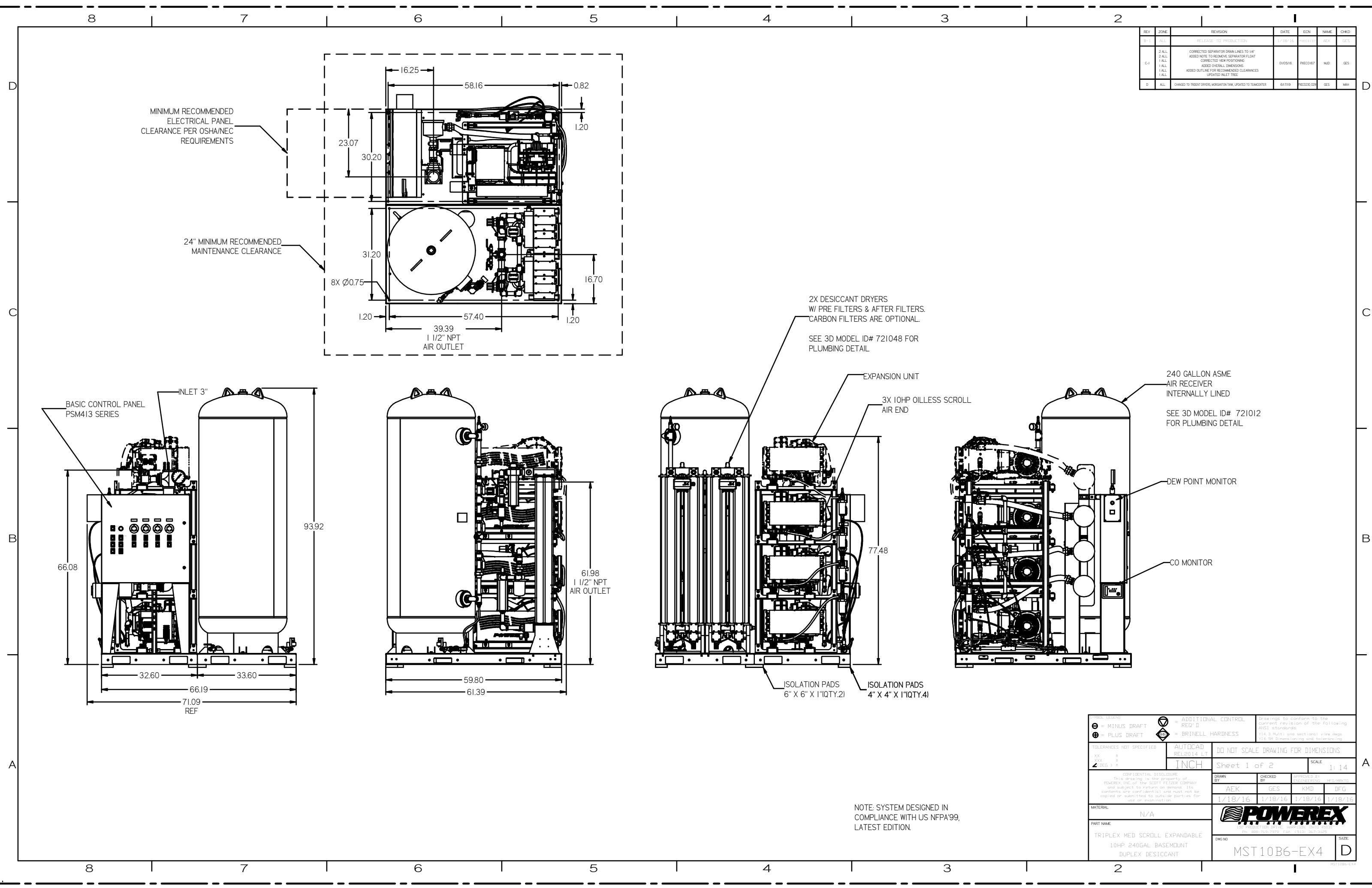


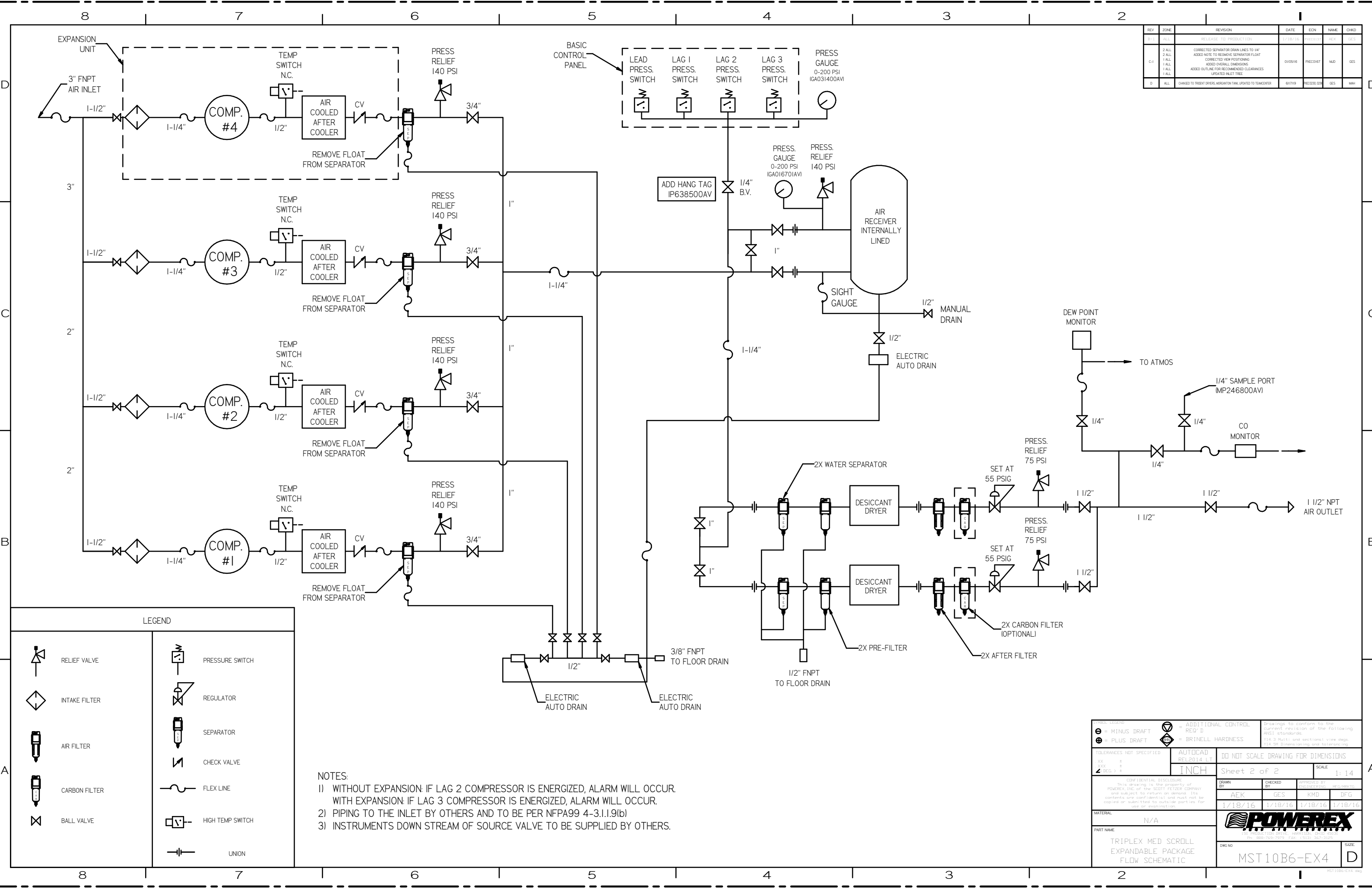
REV	ZONE	REVISION	DATE	ECN	NAME	CHKD
1	ALL	RELEASE TO PRODUCTION	1/18/16		PRECISET	GES
2	ALL	CORRECTED SEPARATOR DRAIN LINES TO 1/4"				
2	ALL	ADDED NOTE TO REPAIR SEPARATOR FLOAT				
1	ALL	CORRECTED VIEW POSITIONING				
1	ALL	ADDED OVERALL DIMENSIONS	01/05/16		PRECISET	MJD
1	ALL	ADDED OUTLINE FOR RECOMMENDED CLEARANCES				
1	ALL	UPDATED INLET TREE				
3	ALL	CHANGED TO TREAT SPECIAL MOUNTING TRAILER, UPDATED TO TIMECATER	01/19/16		PRECISET	GES



NOTE: SYSTEM DESIGNED IN COMPLIANCE WITH US NFPA'99, LATEST EDITION.

TOLERANCES NOT SPECIFIED XX ± XXX ± 4 DEG ±	AUTOCAD REL2014 L1 INCH	DO NOT SCALE DRAWING FOR DIMENSIONS Sheet 1 of 2 SCALE 1:14
THIS DRAWING IS THE PROPERTY OF POWEREX, LLC OF THE SCOTT FETZER COMPANY and subject to return on demand. Its contents are confidential and must not be copied or submitted to outside parties for use or dissemination.	DRAWN BY AEK	CHECKED BY GES
MATERIAL N/A	APPROVED BY KMD	DATE 1/18/16
PART NAME TRIPLEX MED SCROLL EXPANDABLE 10HP 240GAL BASEMOUNT DUPLEX DESICCANT	DATE 1/18/16	DATE 1/18/16
PART NO MST10B6-EX4	SIZE D	

REV	ZONE	REVISION	DATE	ECN	NAME	CRKD
1	ALL	RELEASED TO PRODUCT DEV				
2	ALL	CORRECTED SEPARATOR DRAIN LINES TO 1/4"				
3	ALL	ADDED NOTE TO REMOVE SEPARATOR FLOAT				
4	ALL	CORRECTED NEW POSITIONING				
5	ALL	ADDED OVERALL DIMENSIONS	01/05/16		PRECO167	MJD
6	ALL	ADDED OUTLINE FOR RECOMMENDED CLEARANCES				
7	ALL	UPDATED PALET TREE				
8	ALL	CHANGED TO TREAT OTHERS, MORGANTANK, UPDATED TO TEMCENTER	01/19/16		PRECO201	GES
9	ALL					



LEGEND

	RELIEF VALVE		PRESSURE SWITCH
	INTAKE FILTER		REGULATOR
	AIR FILTER		SEPARATOR
	CARBON FILTER		CHECK VALVE
	BALL VALVE		FLEX LINE
			HIGH TEMP SWITCH
			UNION

NOTES:

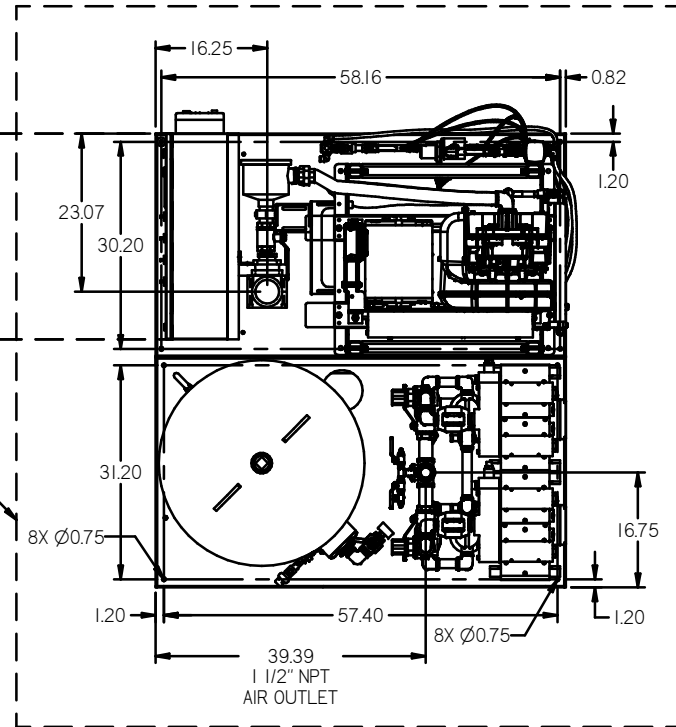
- 1) WITHOUT EXPANSION: IF LAG 2 COMPRESSOR IS ENERGIZED, ALARM WILL OCCUR. WITH EXPANSION: IF LAG 3 COMPRESSOR IS ENERGIZED, ALARM WILL OCCUR.
- 2) PIPING TO THE INLET BY OTHERS AND TO BE PER NFPA99 4-3.1.1.9(b)
- 3) INSTRUMENTS DOWN STREAM OF SOURCE VALVE TO BE SUPPLIED BY OTHERS.

<p>MINUS DRAFT</p> <p>PLUS DRAFT</p> <p>BRINELL HARDNESS</p> <p>ADDITIONAL CONTROL REQ'D</p>	<p>TOLERANCES NOT SPECIFIED</p> <p>XX ±</p> <p>XXX ±</p> <p>XXXX ±</p>	<p>AUTOCAD REL-2014 L1</p> <p>DO NOT SCALE DRAWING FOR DIMENSIONS</p> <p>Sheet 2 of 2</p> <p>SCALE 1:14</p>	<p>Drawings to conform to the current revision of the following ANSI standards:</p> <p>14.3 Multi and sectional view drawings</p> <p>14.9 Dimensioning and tolerancing</p>
<p>CONFIDENTIAL DISCLOSURE</p> <p>This drawing is the property of POWEREX, Inc. or the SCOTT FETZER COMPANY and is subject to return on demand. Its contents are confidential and must not be copied or submitted to outside parties for use or reproduction.</p>		<p>DRAWN BY: AEK</p> <p>CHECKED BY: GES</p> <p>APPROVED BY: KMD</p> <p>DATE: 1/18/16</p>	<p>DATE: 1/18/16</p> <p>DATE: 1/18/16</p> <p>DATE: 1/18/16</p> <p>DATE: 1/18/16</p>
<p>MATERIAL: N/A</p> <p>PART NAME: TRIPLEX MED SCROLL EXPANDABLE PACKAGE FLOW SCHEMATIC</p>		<p>POWEREX</p> <p>1000 W. 100th St., Suite 100, York, PA 17403</p> <p>PH: 717-855-2910 FAX: 717-855-2911</p>	
<p>DWG NO: MST10B6-EX4</p> <p>SIZE: D</p>			

REV	ZONE	REVISION	DATE	ECN	NAME	QMD
0-1	ALL	RELEASE TO PRODUCTION	1/18/16		RES	GES
1-1	ALL	CORRECTED SEPARATOR DRAIN LINES TO 1/4"				
2-1	ALL	ADDED NOTE TO REMOVE SEPARATOR FLOAT				
3-1	ALL	CORRECTED VIEW POSITIONING				
4-1	ALL	ADDED OVERALL DIMENSIONS	01/05/16	PREC0167	MJD	GES
5-1	ALL	ADDED OUTLINE FOR RECOMMENDED CLEARANCES				
6-1	ALL	UPDATED INLET TREE				
D	ALL	CHANGED TO TRIPLEX SERIES W/SCROLL TANK, UPDATED TO TANK CENTER	01/17/16	PREC0100	RES	MJD

MINIMUM RECOMMENDED ELECTRICAL PANEL CLEARANCE PER OSHA/NEC REQUIREMENTS

24" MINIMUM RECOMMENDED MAINTENANCE CLEARANCE



2X DESICCANT DRYERS W/ PRE FILTERS & AFTER FILTERS. CARBON FILTERS ARE OPTIONAL.

SEE 3D MODEL ID# 721048 FOR PLUMBING DETAIL

EXPANSION UNIT

3X 10HP OILLESS SCROLL AIR END

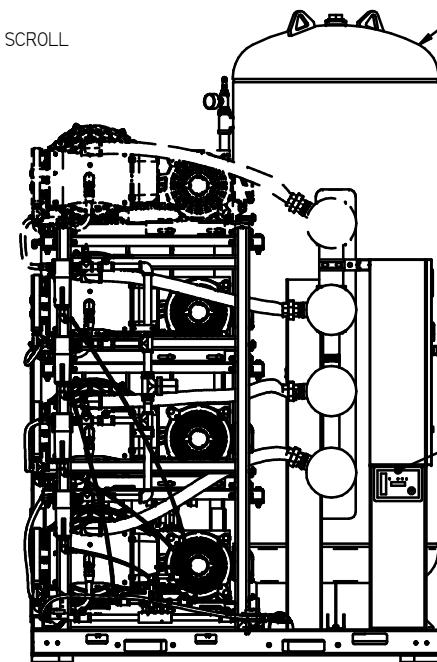
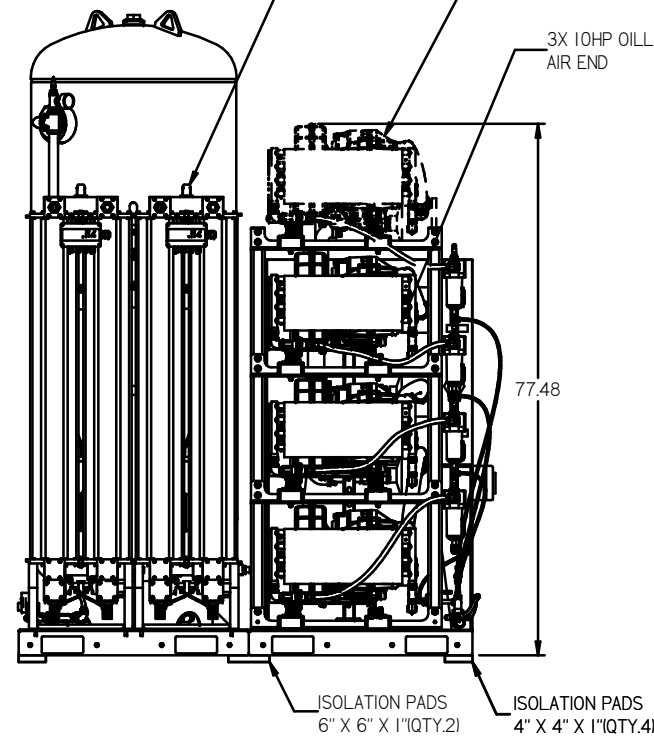
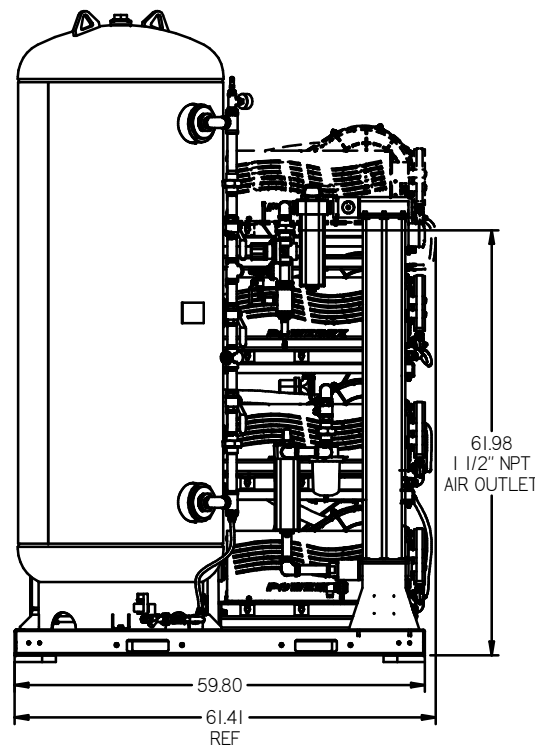
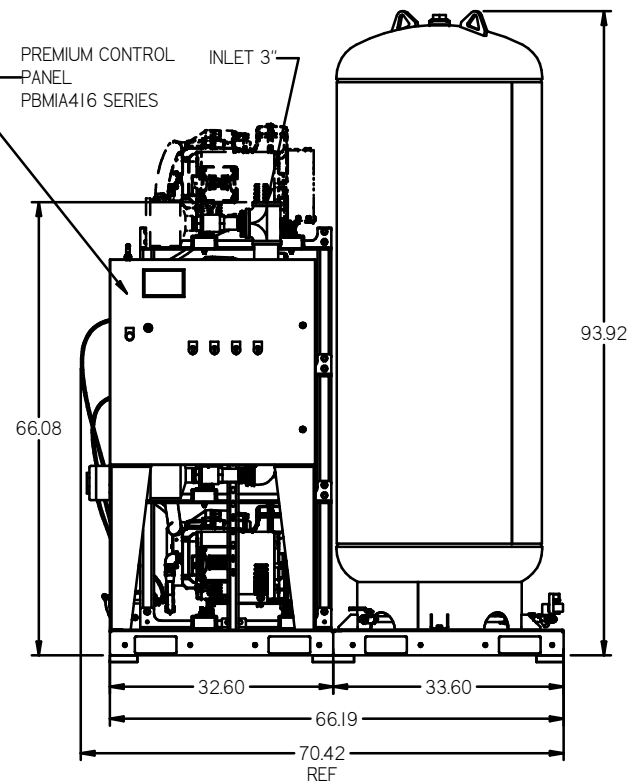
240 GALLON ASME AIR RECEIVER INTERNALLY LINED

SEE 3D MODEL ID# 721012 FOR PLUMBING DETAIL

CO MONITOR

PREMIUM CONTROL PANEL PBMA416 SERIES

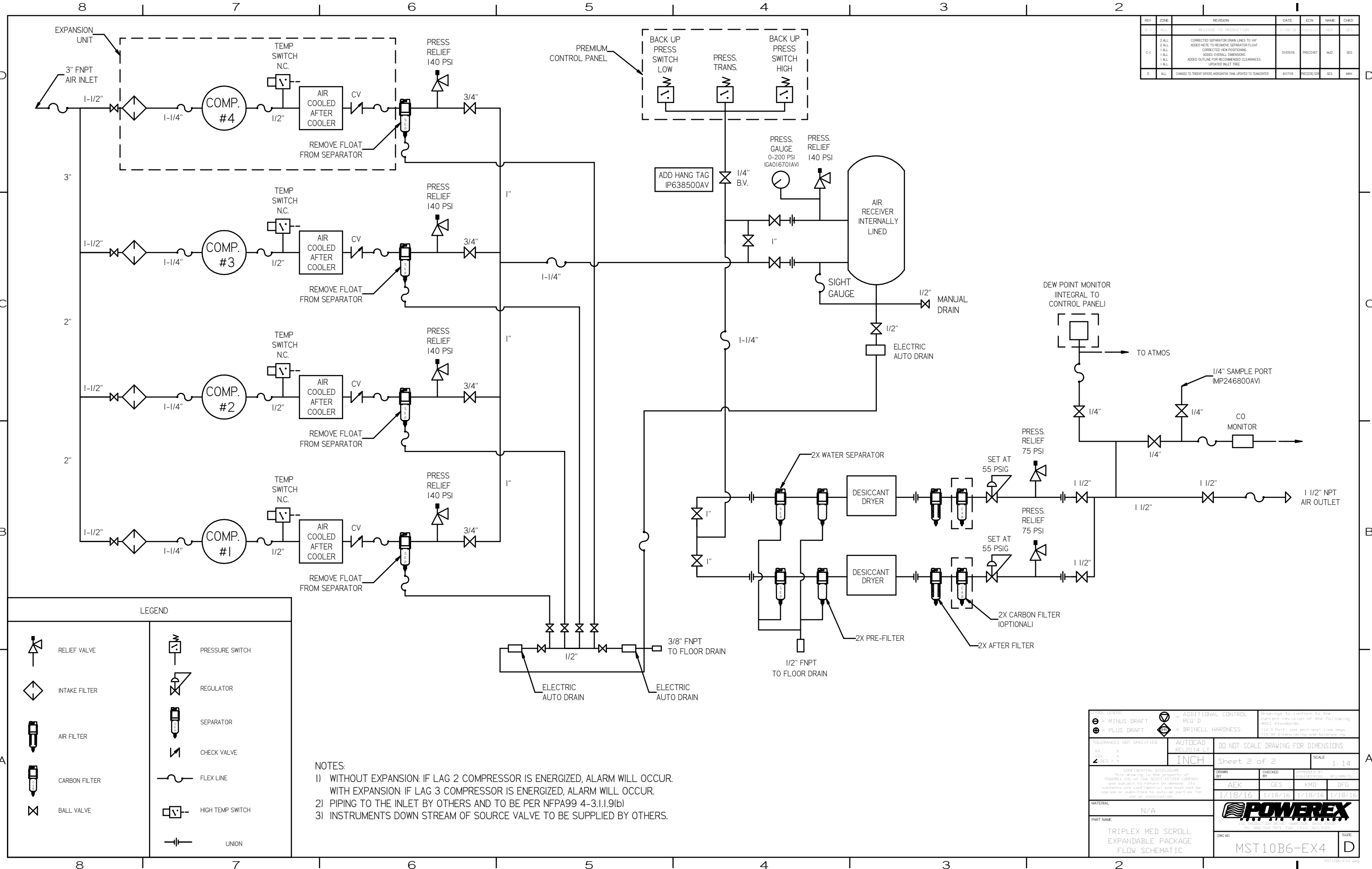
INLET 3"



NOTE: SYSTEM DESIGNED IN COMPLIANCE WITH US NFPA'99, LATEST EDITION.

SYMBOL LEGEND		DRAWING TO CONFORM TO THE CURRENT EDITION OF THE FOLLOWING ANSI STANDARDS:	
⊖	MINUS DRAFT	⊕	ADDITIONAL CONTROL REQ'D
⊕	PLUS DRAFT	⊖	BRINELL HARDNESS
TOLERANCES NOT SPECIFIED		DO NOT SCALE DRAWING FOR DIMENSIONS	
XX	±	AUTOCAD RELEASE 14	
XX	±	INCH	
XX	±	Sheet 1 of 2	
XX	±	SCALE 1:14	
CONFIDENTIAL DISCLOSURE: This drawing is the property of POWEREX, INC. or the SCOTT FETZER COMPANY and subject to return or demand. Its contents are confidential and must not be copied or used for any other purpose without the express written consent of POWEREX, INC. or the SCOTT FETZER COMPANY.		DRWN BY	CHECKED BY
		AEK	GES
		1/18/16	1/18/16
		APPROVED BY	APPROVED BY
		KMD	DFG
		1/18/16	1/18/16
MATERIAL: N/A			
PART NAME: TRIPLEX MED SCROLL EXPANDABLE 10HP 240GAL BASEMOUNT DUPLEX DESICCANT		DWG NO:	SIZE:
		MST10B6-EX4	D

REV	ZONE	REVISION	DATE	ECN	NAME	Q'RD
1	ALL	RELEASE FOR PRODUCTION	1/18/16		GES	GES
2	ALL	CORRECTED SEPARATOR DRAIN LINES TO 1/4"				
3	ALL	ADDED NOTE TO REMOVE SEPARATOR FLOAT				
4	ALL	CORRECTED VIEW POSITIONING				
5	ALL	ADDED OVERALL DIMENSIONS	01/05/16	PREC0167	MJD	GES
6	ALL	ADDED OUTLINE FOR RECOMMENDED CLEARANCES				
7	ALL	UPDATED INLET TREE				
8	ALL	OWNED TO TRENT OILERS WORKSHOP TANK, UPDATED TO TEAMCENTER	01/17/19	PREC020109	GES	MJD



LEGEND

	RELIEF VALVE		PRESSURE SWITCH
	INTAKE FILTER		REGULATOR
	AIR FILTER		SEPARATOR
	CARBON FILTER		CHECK VALVE
	BALL VALVE		FLEX LINE
			HIGH TEMP SWITCH
			UNION

- NOTES:**
- 1) WITHOUT EXPANSION: IF LAG 2 COMPRESSOR IS ENERGIZED, ALARM WILL OCCUR. WITH EXPANSION: IF LAG 3 COMPRESSOR IS ENERGIZED, ALARM WILL OCCUR.
 - 2) PIPING TO THE INLET BY OTHERS AND TO BE PER NFPA99 4-3.1.1.9(b)
 - 3) INSTRUMENTS DOWN STREAM OF SOURCE VALVE TO BE SUPPLIED BY OTHERS.

TOLERANCES NOT SPECIFIED XX ± XXX ± 4 DEC. ±	AUTOCAD REL2014 LT INCH	DO NOT SCALE DRAWING FOR DIMENSIONS Sheet 2 of 2 SCALE 1:14
CONFIDENTIAL DISCLOSURE This drawing is the property of POWEREX, INC. of the SCOTT FETZER COMPANY and subject to return on demand. Its contents are confidential and must not be copied or submitted to outside parties for use or reproduction.		
MATERIAL N/A PART NAME TRIPLEX MED SCROLL EXPANDABLE PACKAGE FLOW SCHEMATIC	DRAWN BY AEK 1/18/16	CHECKED BY GES 1/18/16
APPROVED BY KMD 1/18/16		APPROVED BY DFG 1/18/16
Dwg No MST10B6-EX4		SIZE D