

2X DESICCANT DRYERS
W/ PRE-FILTERS & AFTER-FILTERS.
CARBON FILTERS ARE OPTIONAL.

SEE 3D MODEL ID# 722982
FOR PLUMBING DETAIL

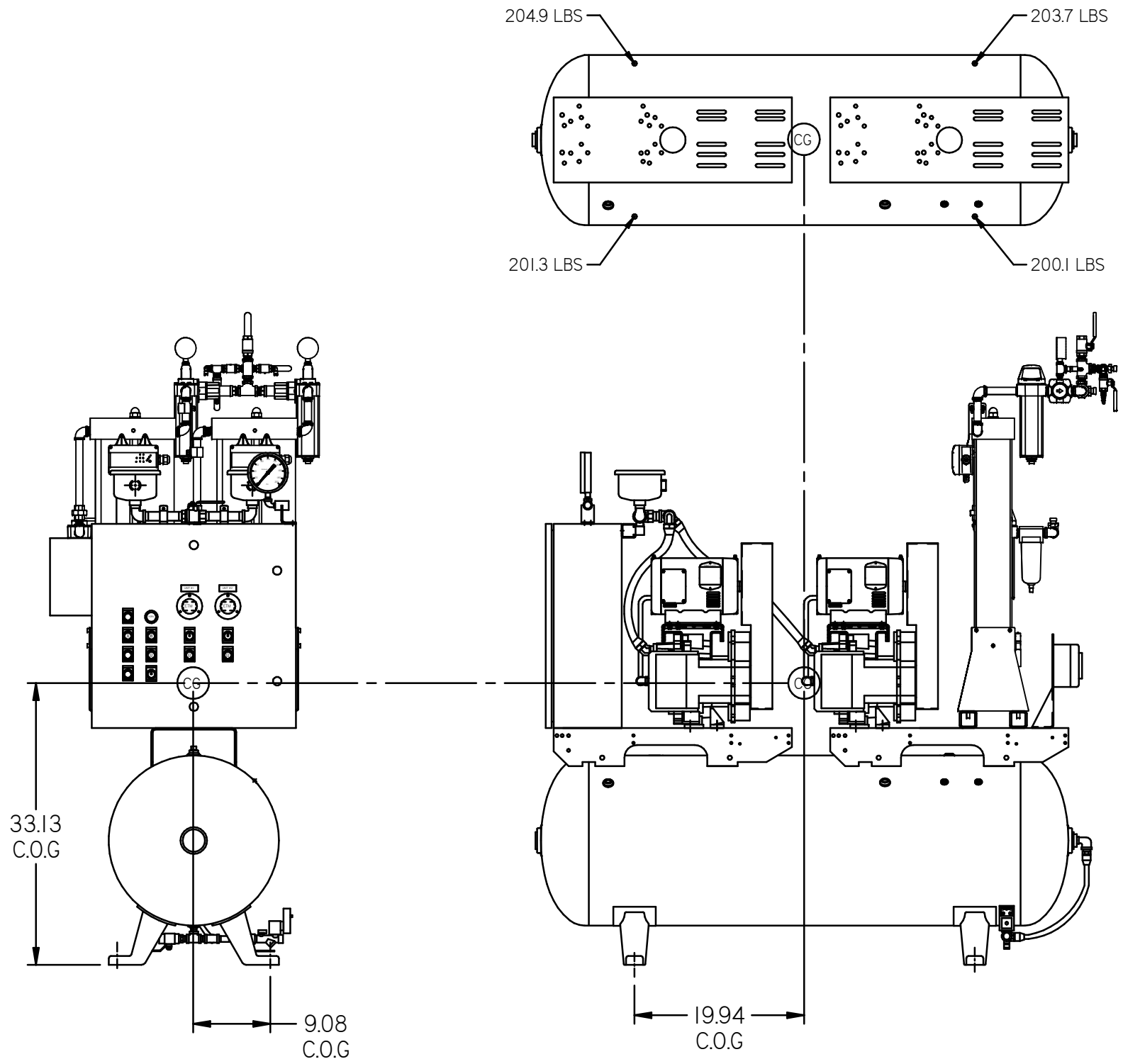
REV	ZONE	REVISION	DATE	ECN	NAME	CHKD
B-1	ALL	RELEASE TO PRODUCTION	01/06/07	21668	RSN	DMS
C-1	2 C-3	ADDED MANUAL DRAIN	08/02/07	21889	DMS	GES
D-1	2 B3C8	REMOVED DR VALVES ADDED BY SRN 140PS & 70PS	01/02/08	21907	DMS	GES
D2	1 ALL 2 D4D5 1 B6D6	ADDED CO MONITOR AND DEW POINT MONITOR ADDED HANDEAG PS 50 VALVE AND TANK GAUGE MOVED FRONT PLUMB TOWARDS PANEL	2/13/08	21907	AEK	GES
E-1	ALL	CORRECTED PANEL MONITORS AND INLET LOCATION	2/10/09	22127	AEK	GES
F-1	ALL	UPDATED DEW POINT MONITOR & ADDED SEPARATOR NOTE	04/09/09	22127	AEK	GES
G-1	ALL	UPDATED TO POWEREX DRYER	10/10/09	22120	AEK	GES
G-2	1 ALL	UPDATED ORDER TO CURRENT BLDG	10/24/09	22120	AEK	GES
H-1	ALL	ADDED PDM SHEETS	12/19/11	22609	AEK	GES
J-1	2 ALL	ADDED/UPDATED PDM LINES	10/11/13	PRECC0020	AEK	DMS
K-1	ALL	ADDED SHEET 3	2/27/13	PRECC0030	AEK	GES
K-2	1,3 ALL 1,3 ALL	REMOVED CO MONITOR FROM THE CONTROL PANEL ADDED SIGHT GAUGE	10/7/13	PRECC0030	AEK	GES
L-1	2 B5C5	CHANGED PDM LINES TO 3/4"	01/31/15	PRECC0037	AEK	GES
M	ALL	CHANGED TO TRENIT DRYERS, UPDATED TO TEAM CENTER	02/28/19	PRECC0291	GES	MH

- NOTES:
- 1.) SCROLL AFTERCOOLER SEPARATORS MUST BE RIGIDLY SUPPORTED.
 - 2.) TANK PLUMBING NOT SHOWN FOR DRAWING CLARITY.
 - 3.) A MINIMUM OF 24" IS RECOMMENDED AROUND THE ENTIRE UNIT.

NOTE: SYSTEM DESIGNED IN COMPLIANCE WITH U.S. NFPA '99, LATEST EDITION.

MINUS DRAFT PLUS DRAFT	ADDITIONAL CONTROL REQ'D BRINELL HARDNESS	Drawings to conform to the current revision of the following ANSI standards: Y14.3 (Title) and sections 1 use deg Y14.5M Dimensioning and tolerancing
TOLERANCES NOT SPECIFIED	AUTOCAD REL2000	DO NOT SCALE DRAWING FOR DIMENSIONS
XX ± XXX ± 4 DEG ±	INCH	Sheet 1 of 3
CONFIDENTIAL DISCLOSURE This drawing is the property of POWEREX, INC. of the SCOTT FETZER COMPANY and subject to return on demand. Its contents are confidential and must not be copied or submitted to outside parties for use or assessment.	DRAWN BY: RSN CHECKED BY: DMS DATE: 06/02/06	SCALE: 1:8 APPROVED BY: DMS DATE: 01/06/07 APPROVED BY: JJ DATE: 01/06/07
MATERIAL: N/A		
PART NAME: 5HP, MEDICAL TANKMOUNT VERTICAL SCROLL DUPLEX 80 GAL	DWG NO: MTSD0503	SIZE: D

REV	ZONE	REVISION	DATE	ECN	NAME	CHKD
K-1	ALL	ADDED SHEET 3	2/27/13	PREC0030	AEK	GES
K-2	L3 ALL	REMOVED CO MONITOR FROM THE CONTROL PANEL ADDED SIGHT GAUGE	10/11/13	PREC0030	AEK	GES
L-1	2 BLOC	CHANGED FLUX LINES TO 34T	9/13/15	PREC0093	AEK	GES
M	ALL	CHANGED TO TREAT DRIVERS UPDATED TO TEAM CENTER	8/28/19	PREC0291	GES	MH

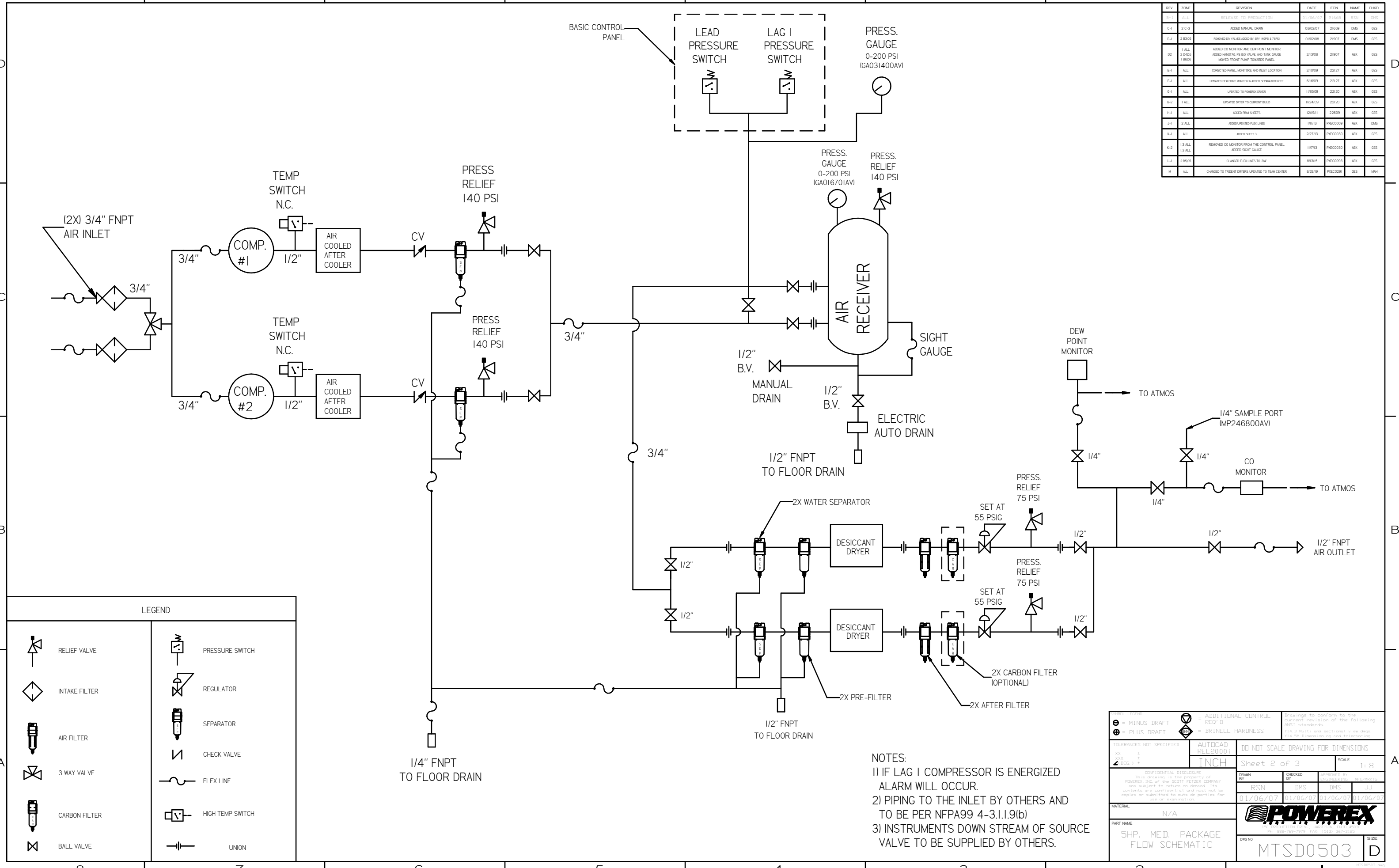


MEDICAL SCROLL SYSTEM:
 TOTAL WEIGHT: 810 LBS
 C.O.G. DIMENSIONS
 X (FRONT): -9.08"
 Y (RIGHT): 19.94"
 Z (HEIGHT): 33.13"

denotes center of gravity CG

THIRD ANGLE ☉ = MINUS DRAFT ⊕ = PLUS DRAFT Ⓢ = ADDITIONAL CONTROL REQ'D Ⓜ = BRINELL HARDNESS		Drawings to conform to the current revision of the following ANSI standards: Y14.3 Multi and sectional view dgs. Y14.9 Dimensioning and tolerancing	
TOLERANCES NOT SPECIFIED XX ± XY ± Z (DEC.) ±		AUTOCAD REL2008 INCH DO NOT SCALE DRAWING FOR DIMENSIONS SCALE 1:8	
CONFIDENTIAL DISCLOSURE This drawing is the property of POWEREX, INC. of the SCOTT FETZER COMPANY and subject to return of original. Its contents are confidential and must not be copied or submitted to outside parties for use or examination.		SHEET 3 OF 3 DRAWN BY: AEK CHECKED BY: GES APPROVED BY: DMS, DFG 2/27/13, 2/27/13, 2/27/13, 2/27/13	
MATERIAL: N/A		POWEREX PART NAME: SHP. MEDICAL TANKMOUNT VERTICAL SCROLL DUPLEX 80 GAL DWG NO: MTSD0503 SIZE: D	

REV	ZONE	REVISION	DATE	ECN	NAME	CHKD
B-1	ALL	RELEASE TO PRODUCTION	01/06/07	21667	RSN	DMS
C-1	2-3	ADDED MANUAL DRAIN	08/02/07	21668	DMS	GES
D-1	2-3	REMOVED DV VALVES ADDED BY SRI 140PSI & 75PSI	01/02/08	21907	DMS	GES
F-1	ALL	ADDED CO MONITOR AND DEW POINT MONITOR ADDED HANGTAG, PS 50 VALVE, AND TANK GAUGE MOVED FRONT PUMP TOWARDS PANEL	21/3/08	21907	AEK	GES
E-1	ALL	CORRECTED PANEL MONITORS, AND INLET LOCATION	21/03/09	22127	AEK	GES
F-1	ALL	UPDATED DEW POINT MONITOR & ADDED SEPARATOR NOTE	01/06/09	22127	AEK	GES
G-1	ALL	UPDATED TO POWEREX DRIVER	11/01/09	22120	AEK	GES
H-2	1-ALL	UPDATED DRIVER TO CURRENT BUILD	11/24/09	22120	AEK	GES
H-1	ALL	ADDED P&M SHEETS	12/18/11	22609	AEK	GES
J-1	2-ALL	ADDED/UPDATED FLEX LINES	11/11/13	PXEC0029	AEK	DMS
K-1	ALL	ADDED SHEET 3	2/27/13	PXEC0030	AEK	GES
K-2	13-ALL	REMOVED CO MONITOR FROM THE CONTROL PANEL ADDED SIGHT GAUGE	11/7/13	PXEC0030	AEK	GES
L-1	2-BLKS	CHANGED FLEX LINES TO 3/4"	01/31/15	PXEC0033	AEK	GES
M	ALL	CHANGED TO TRENK DRIVERS UPDATED TO TEAM CENTER	08/28/19	PXEC0231	GES	MAH



LEGEND	
	RELIEF VALVE
	INTAKE FILTER
	AIR FILTER
	3 WAY VALVE
	CARBON FILTER
	BALL VALVE
	PRESSURE SWITCH
	REGULATOR
	SEPARATOR
	CHECK VALVE
	FLEX LINE
	HIGH TEMP SWITCH
	UNION

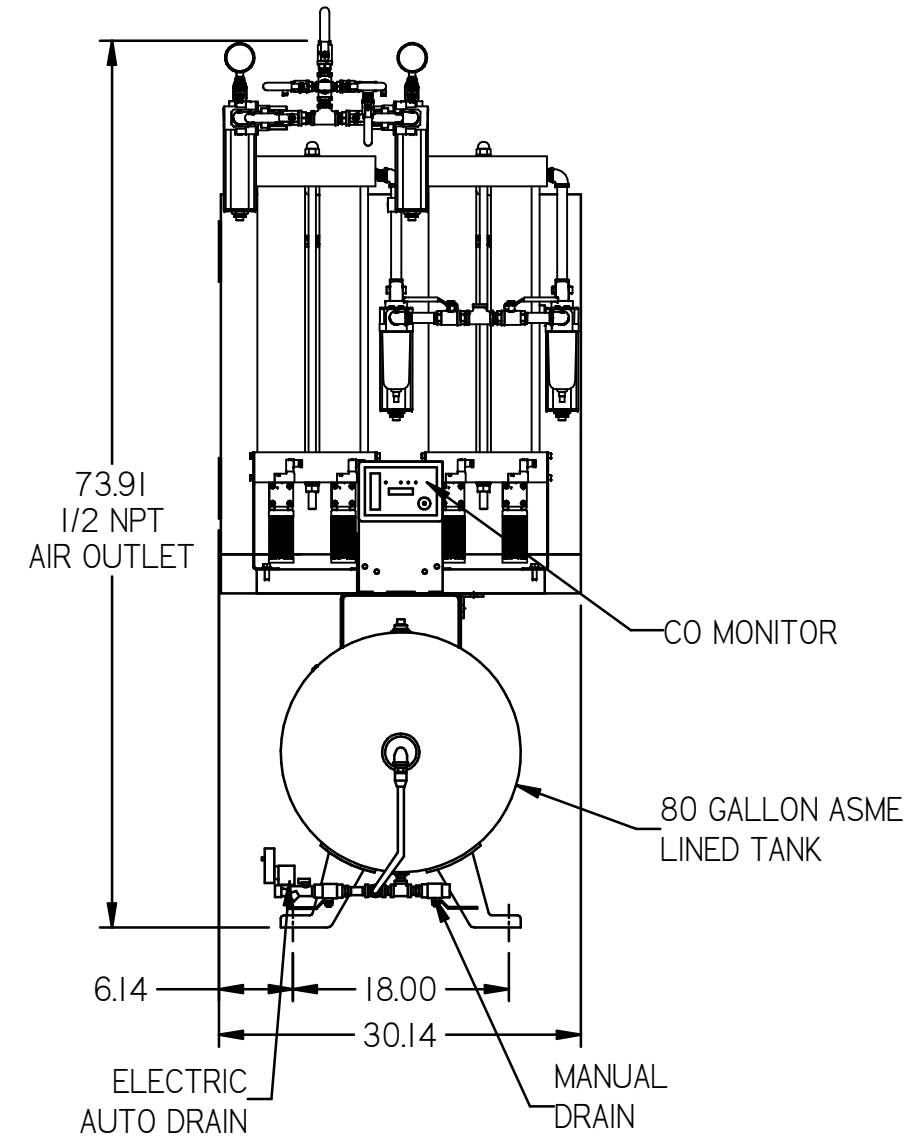
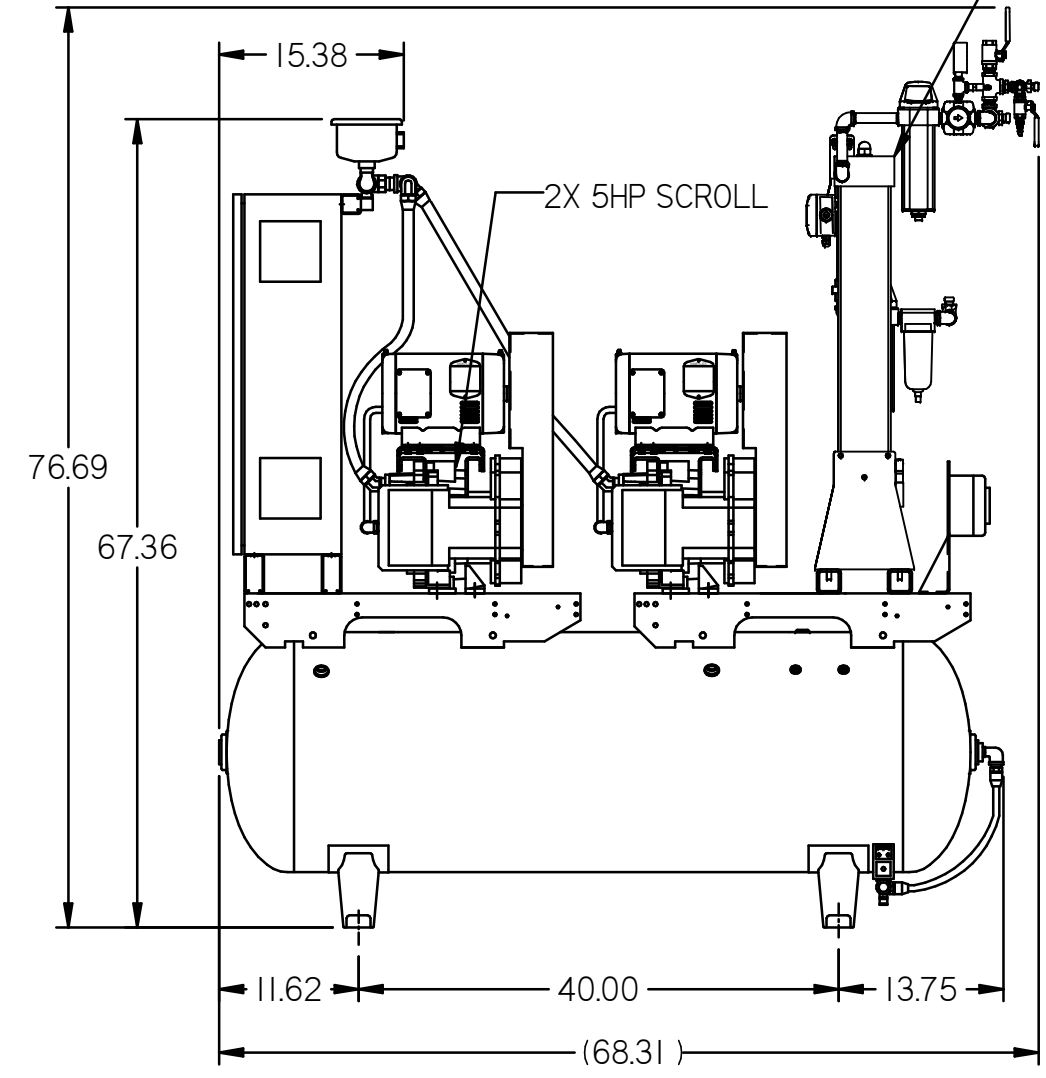
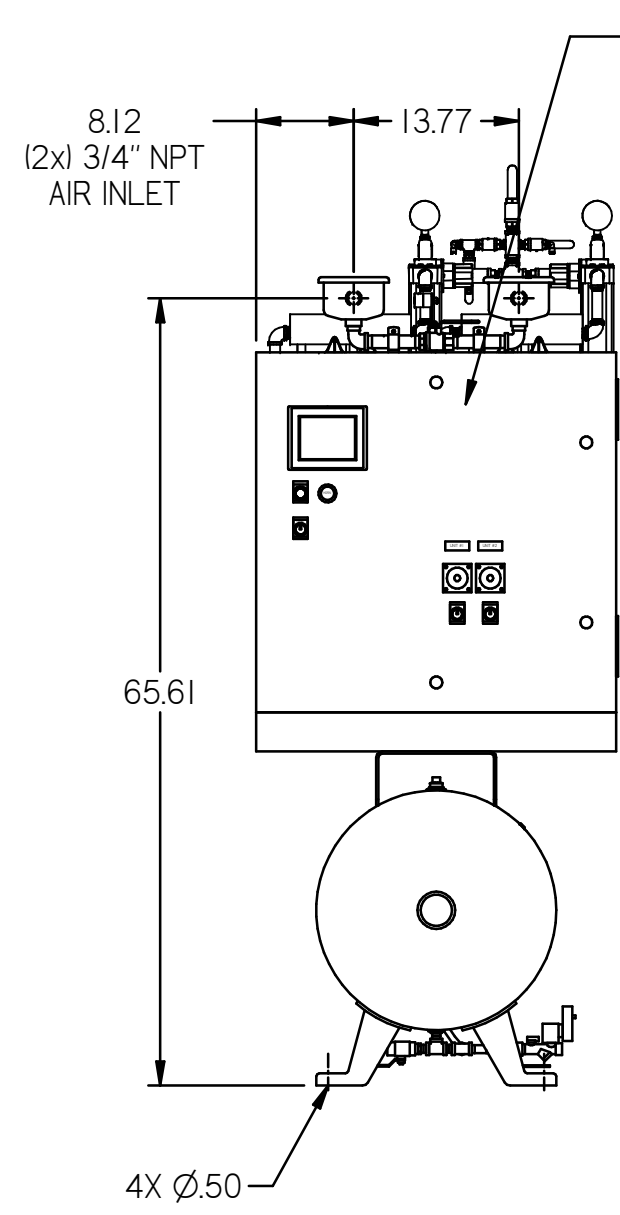
NOTES:
 1) IF LAG 1 COMPRESSOR IS ENERGIZED ALARM WILL OCCUR.
 2) PIPING TO THE INLET BY OTHERS AND TO BE PER NFPA99 4-3.1.1.9(b)
 3) INSTRUMENTS DOWN STREAM OF SOURCE VALVE TO BE SUPPLIED BY OTHERS.

MINUS DRAFT PLUS DRAFT	ADDITIONAL CONTROL BRINELL HARDNESS	Drawings to conform to the current revision of the following AWS standards: 1/4, 3 Multi and sectional view dets. 1/4, 3/8 Dimensions using angle to terminate.
AUTOCAD REL2000i INCH	DO NOT SCALE DRAWING FOR DIMENSIONS	Sheet 2 of 3 SCALE 1:8
CONFIDENTIAL DISCLOSURE This drawing is the property of POWEREX, INC. of the SCOTT PETERSON COMPANY and subject to return on demand. Its contents are confidential and must not be copied or submitted to outside parties for use or dissemination.	DRAWN BY: RSN CHECKED BY: DMS 01/06/07	APPROVED BY: JJJ 01/06/07
MATERIAL: N/A		SIZE: D
PART NAME: 5HP, MED. PACKAGE FLOW SCHEMATIC	DWG NO: MTSD0503	

REV	ZONE	REVISION	DATE	ECN	NAME	CHKD
H-1	ALL	ADDED FBHT SHEETS	12/19/11	25605	AEK	GES
K-1	2 ALL	ADDED PARTS LIST LINES	10/13	PRE0030	AEK	DMS
K-4	ALL	ADDED SHEET 3	2/27/13	PRE0030	AEK	GES
K-2	13 ALL	REMOVED CO MONITOR FROM THE CONTROL PANEL ADDED SIGHT GAUGE	1/7/13	PRE0030	AEK	GES
L-1	2 PDS	CHANGED FLEX LINES TO 3/4"	8/30/15	PRE0030	AEK	GES
M	ALL	CHANGED TO TRENCH DRYERS, UPDATED TO TEAM CENTER	8/28/19	PRE0031	GES	MH

2X DESICCANT DRYERS
W/ PRE-FILTERS & AFTER-FILTERS.
CARBON FILTERS ARE OPTIONAL.

SEE 3D MODEL ID# 722982
FOR PLUMBING DETAIL



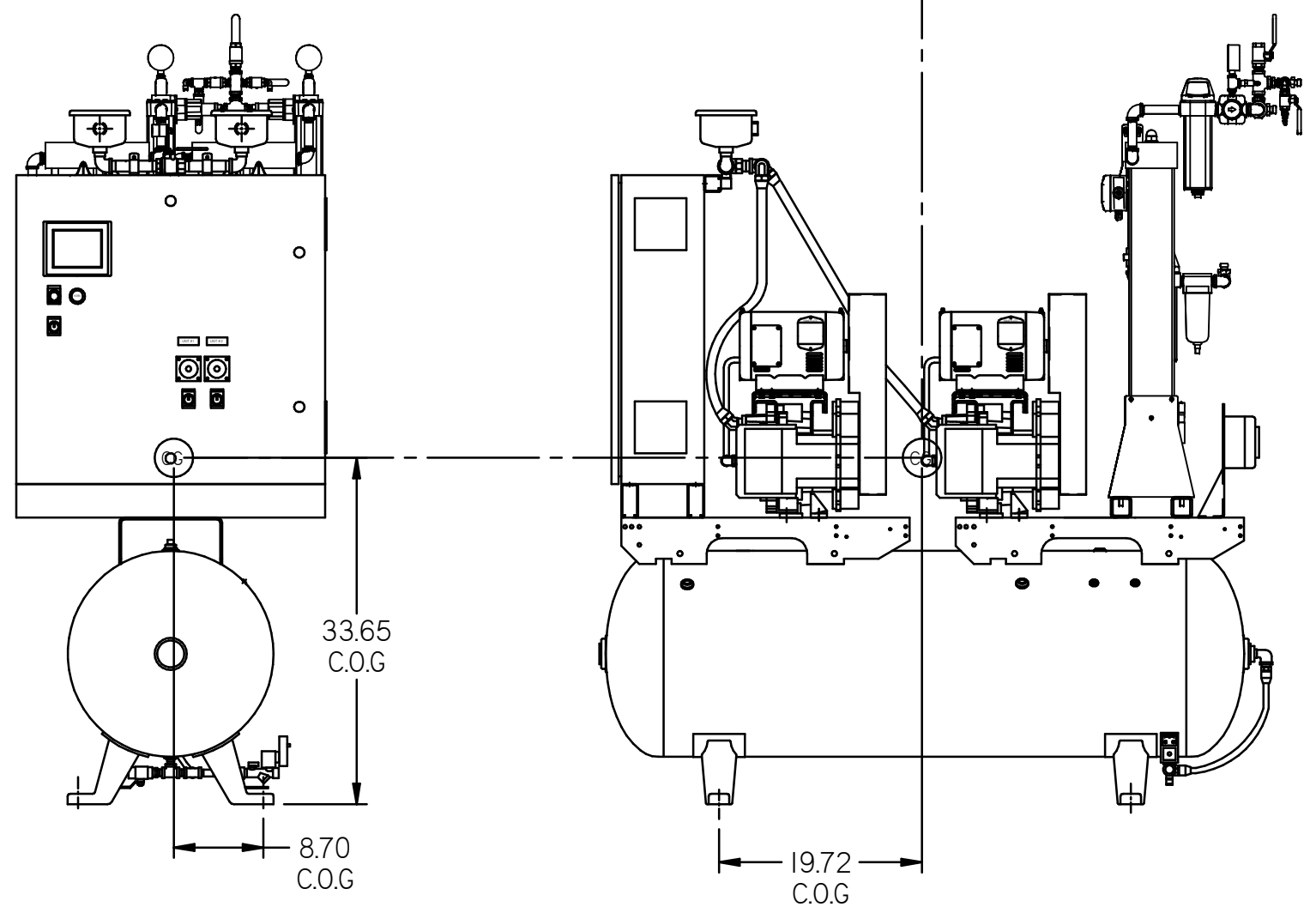
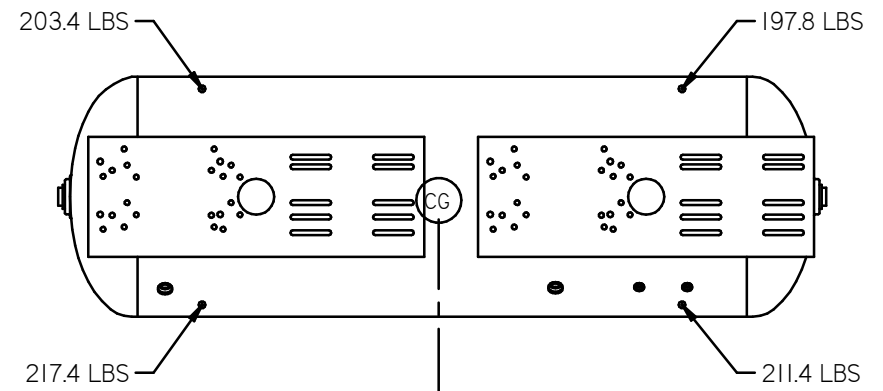
- NOTES:
- 1.) SCROLL AFTERCOOLER SEPARATORS MUST BE RIGIDLY SUPPORTED.
 - 2.) TANK PLUMBING NOT SHOWN FOR DRAWING CLARITY.
 - 3.) A MINIMUM OF 24" IS RECOMMENDED AROUND THE ENTIRE UNIT.

NOTE: SYSTEM DESIGNED IN COMPLIANCE WITH U.S. NFPA '99, LATEST EDITION.

MINUS DRAFT PLUS DRAFT	ADDITIONAL CONTROL REQ'D BRINELL HARDNESS	Drawings to conform to the current revision of the following ASME standards: 14.3 Multi-view drawings 14.3M Dimensioning and tolerancing
TOLERANCES NOT SPECIFIED XX ± XXX ± XXX ±	AUTOCAD REL2008 INCH	DO NOT SCALE DRAWING FOR DIMENSIONS Sheet 1 of 3 SCALE 1:8
CONFIDENTIAL DISCLOSURE This drawing is the property of POWEREX, INC. of the SCOTT FELTZER COMPANY and subject to return on demand. Its contents are confidential and must not be copied or submitted to outside parties for use or dissemination.		DRAWN BY: AEK CHECKED BY: GES DESIGNED BY: DMS APPROVED BY: RJR 12/19/11 12/19/11 12/19/11 12/19/11
MATERIAL: N/A		
PART NAME: SHP. MEDICAL TANKMOUNT VERTICAL SCROLL DUPLEX 80 GAL		DWG NO: MTSD0503 SIZE: D

8 7 6 5 4 3 2

REV	ZONE	REVISION	DATE	ECN	NAME	CHKD
K-1	ALL	ADDED SHEET 3	2/27/13	PIEC0030	AEK	GES
K-2	1,3 ALL	REMOVED CO MONITOR FROM THE CONTROL PANEL ADDED SIGHT GAUGE	11/7/13	PIEC0030	AEK	GES
L-1	2 BUCS	CHANGED FLEX LINES TO 3/4"	8/13/13	PIEC0031	AEK	GES
M	ALL	CHANGED TO TRENT DRYERS UPDATED TO TEAM CENTER	8/28/13	PIEC0031	GES	MHH



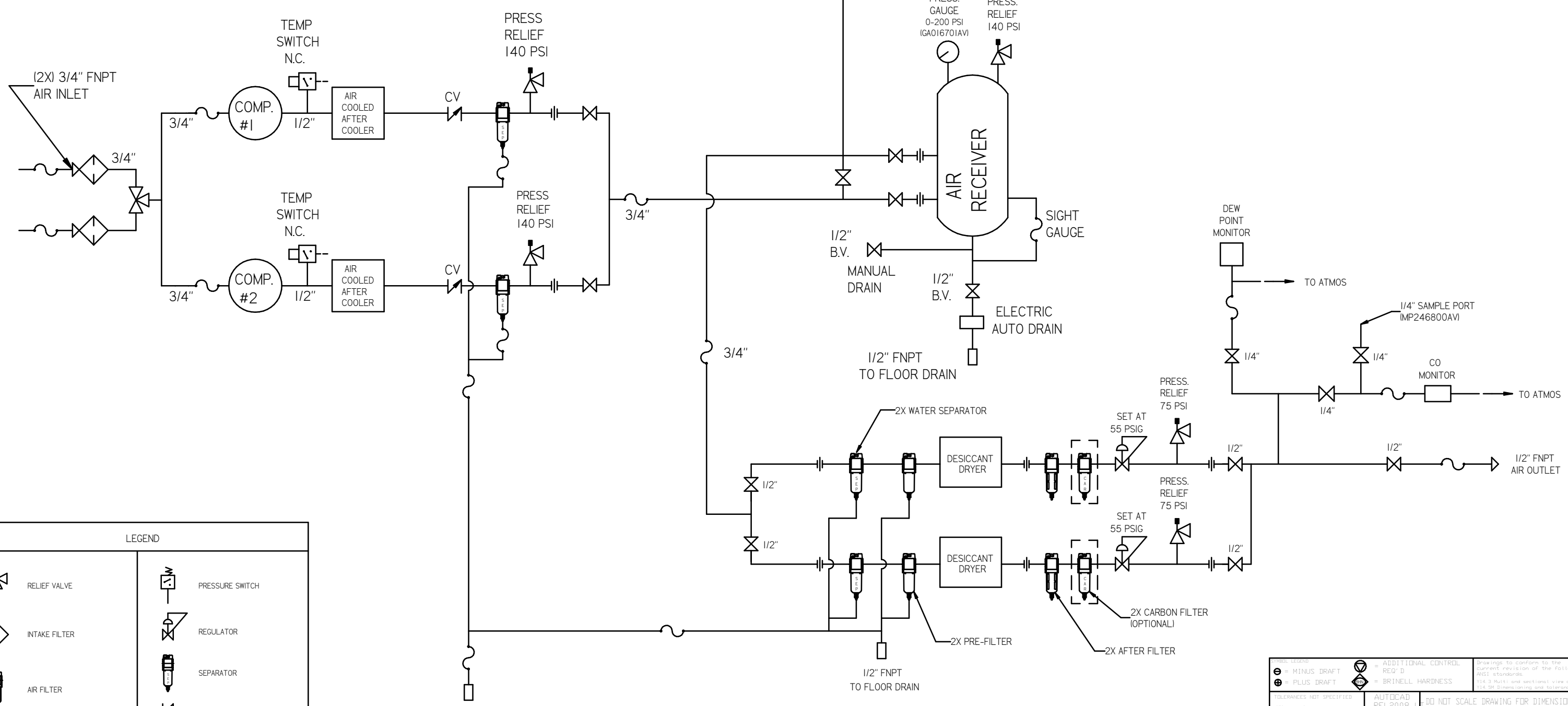
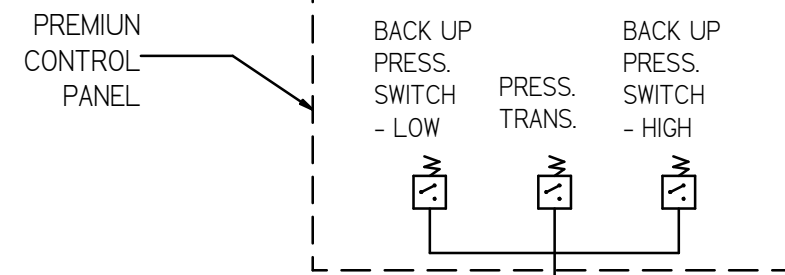
MEDICAL SCROLL SYSTEM:
 TOTAL WEIGHT: 830 LBS
 C.O.G. DIMENSIONS
 X (FRONT): -8.7"
 Y (RIGHT): 19.72"
 Z (HEIGHT): 33.65"

denotes center of gravity CG

TOLERANCES NOT SPECIFIED .XX .XXX .0001	AUTOCAD REL2008	DO NOT SCALE DRAWING FOR DIMENSIONS SCALE 1:8
CONFIDENTIAL DISCLOSURE This drawing is the property of POWEREX, INC. of the SCOTT FELZER COMPANY and subject to return on demand. Its contents are confidential and must not be copied or submitted to outside parties. For use for manufacturing.	INCH	Sheet 3 of 3
MATERIAL N/A	DRAWN BY AEK	CHECKED BY GES
PART NAME SHP. MEDICAL TANKMOUNT VERTICAL SCROLL DUPLEX 80 GAL.	DATE 2/27/13	DATE 2/27/13
DWG NO MTSD0503	APPROVED BY DMS	DATE 2/27/13
SIZE D		

8 7 6 5 4 3 2

REV	ZONE	REVISION	DATE	EDN	NAME	CHKD
H-1	ALL	ADDED FBH1 SHEETS	12/19/11	52609	REK	GES
J-1	2 ALL	ADDED/UPDATED FLEX LINES	11/15	PRE0009	AEK	DMS
K-1	ALL	ADDED SHEET 3	2/27/13	PRE0030	AEK	GES
K-2	13 ALL 13 ALL	REMOVED CO MONITOR FROM THE CONTROL PANEL ADDED SIGHT GAUGE	11/7/13	PRE0030	AEK	GES
L-1	78605	CHANGED FLEX LINES TO 3/4"	8/13/15	PRE0093	AEK	GES
M	ALL	CHANGED TO TROTT DRYERS UPDATED TO TEAM CENTER	8/28/19	PRE0091	GES	MMH



LEGEND	
	RELIEF VALVE
	INTAKE FILTER
	AIR FILTER
	3 WAY VALVE
	CARBON FILTER
	BALL VALVE
	PRESSURE SWITCH
	REGULATOR
	SEPARATOR
	CHECK VALVE
	HIGH TEMP SWITCH
	UNION

NOTES:
 1) IF LAG 1 COMPRESSOR IS ENERGIZED ALARM WILL OCCUR.
 2) PIPING TO THE INLET BY OTHERS AND TO BE PER NFPA99 4-3.1.1.9(b)
 3) INSTRUMENTS DOWN STREAM OF SOURCE VALVE TO BE SUPPLIED BY OTHERS.

MINUS DRAFT PLUS DRAFT ADDITIONAL CONTROL REQ'D BRINELL HARDNESS	AUTOCAD REL 2008 INCH DO NOT SCALE DRAWING FOR DIMENSIONS Sheet 2 of 3 SCALE 1:8 DRAWN BY AEK CHECKED BY GES APPROVED BY DMS DATE 12/19/11 DATE 12/19/11 DATE 12/19/11 DATE 12/19/11	Drawing to conform to the following standards: ASME Y14.3 Multi and sectional view drawing ASME Y14.5 Dimensioning and tolerancing
CONFIDENTIAL DISCLOSURE: This drawing is the property of POWEREX, INC. of the SCOTT PETER COMPANY and subject to return on demand. Its contents are confidential and must not be copied or submitted to outside parties for use or evaluation.		POWEREX 908-769-7979 FAX: (513) 367-5125
MATERIAL: N/A PART NAME: SHP. MED. PACKAGE FLOW SCHEMATIC DWG NO: MTSD0503		SIZE: D