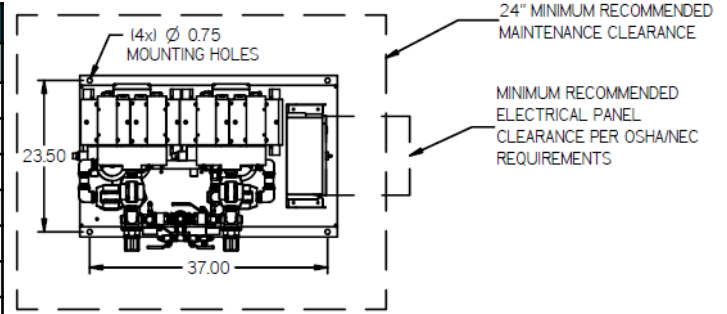
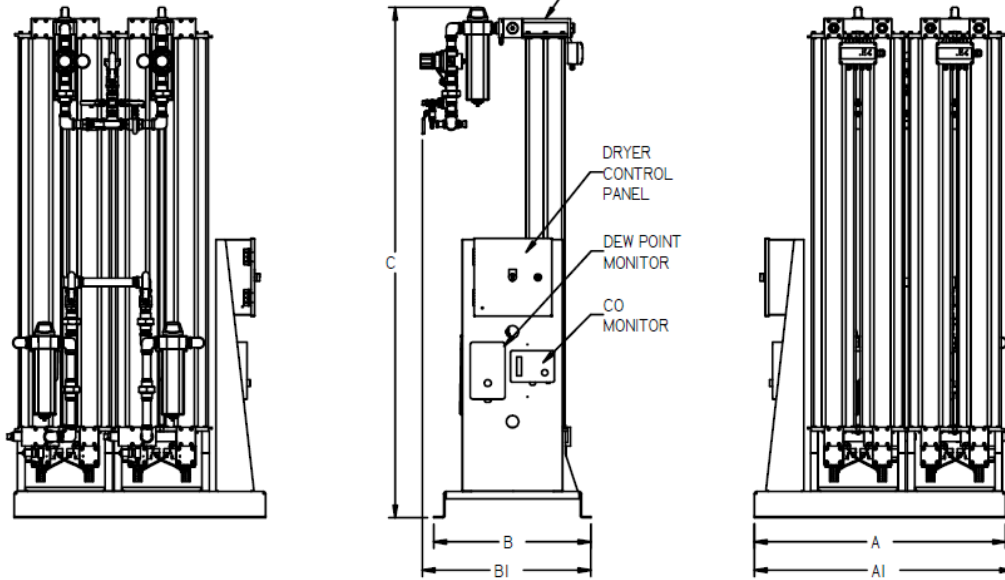


Dimensions							
Model	Dim A	Dim A1	Dim B	Dim B1	Dim C	Inlet	Outlet
MDD0058	40.0"	40.0"	25.0"	25.0"	44.5"	½"	½"
MDD0108	40.0"	40.0"	25.0"	25.0"	51.2"	½"	½"
MDD0158	40.0"	40.0"	25.0"	26.5"	51.1"	½"	½"
MDD0208	40.0"	45.0"	25.0"	26.5"	51.1"	½"	½"
MDD0308	40.0"	45.0"	25.0"	26.5"	63.1"	½"	¾"
MDD0458	40.0"	47.1"	25.0"	25.0"	44.5"	½"	¾"
MDD0608	40.0"	50.6"	25.0"	27.4"	51.2"	¾"	1"
MDD1008	40.0"	41.1"	25.0"	26.8"	69.1"	1"	1 ½"
MDD1258	40.0"	41.1"	25.0"	26.8"	81.3"	1"	1 ½"
MDD2008	40.0"	46.5"	25.0"	34.8"	69.3"	1 ½"	1 ½"



12x DESICCANT DRYERS W/WATER SEPARATORS, PRE-FILTERS, AFTER FILTERS, REGULATORS W/GAUGES, SAFETY VALVES, AND ISOLATION BALL VALVES. (CARBON FILTERS ARE OPTIONAL)



Medical Desiccant Dryer Package				
Model	SCFM @ 100 PSIG	Voltage ¹		Unit Weight (lbs) ²
MDD0058	5	115V	208-230V	193
MDD0108	10	115V	208-230V	204
MDD0158	15	115V	208-230V	220
MDD0208	20	115V	208-230V	240
MDD0308	30	115V	208-230V	299
MDD0458	45	115V	208-230V	340
MDD0608	60	115V	208-230V	414
MDD1008	100	115V	208-230V	630
MDD1258	125	115V	208-230V	687
MDD2008	200	115V	208-230V	1181

Note: Dryer Sizing - SCFM listed is for each dryer. Powerex Medical Dryer Systems provide 100% backup. When selecting the proper Medical Dryer System, match the listed SCFM with the SCFM of the compressor(s) in operation with one compressor in reserve per NFPA 99.

Includes: filter package, CO monitor, and Dew point monitor.

1 – Dryer available in either 115V or 208-230V. Please specify voltage when ordering.

2 – Unit weights are approximate. Actual weights may vary.