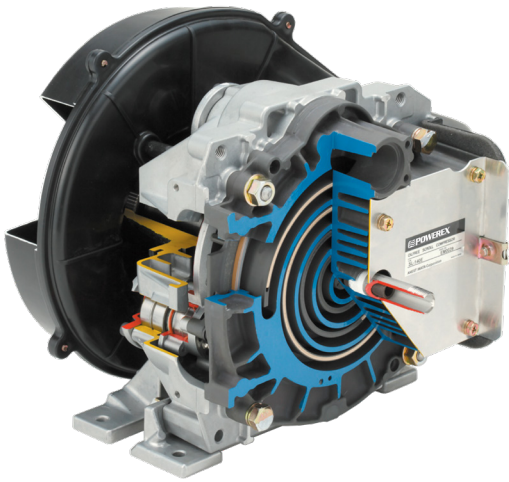


POWEREX™



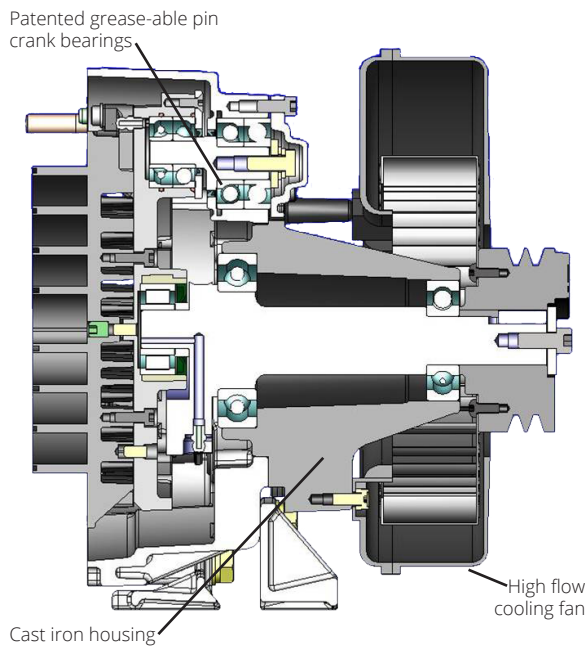
# Scroll Compressor Packages for Transportation

# Oil-less Scroll Technology



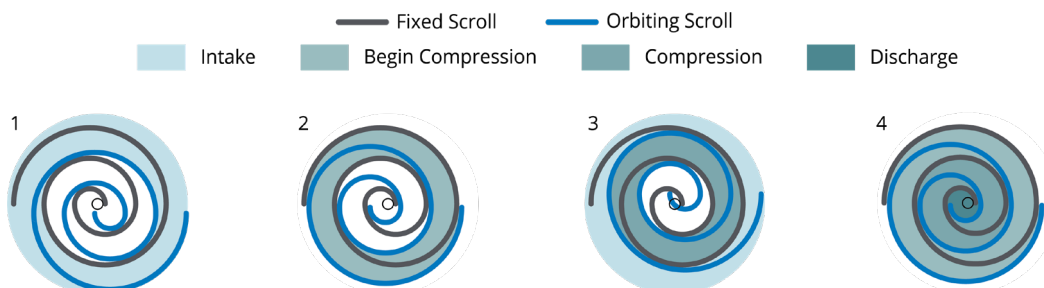
Our innovative scroll technology is completely oil-less, extremely quiet, and energy efficient. The scroll pump has few moving parts, making it reliable and easier to maintain. The self lubricating tip seals and absence of a gearbox means the pump is truly 100% oil free. As leaders in scroll pump technology, our design incorporates several innovative features:

- Main bearings are housed in durable cast iron instead of aluminum which prevents fretting and premature failure of the bearing race. This pump can be operated at 100% duty with confidence.
- The patented bearing re-grease feature has been improved to allow maintenance from the front side of the pump, cutting service time in half.
- The patented tip seal design yields the highest flow rates and longevity of any other dry scroll compressor.
- The improved efficiency and cooling results in lower operating temperatures.
- Extremely low vibration.



## Compression Cycle

As the scroll orbits, a crescent-shaped cavity is gradually reduced, compressing the air and exhausting it through the final discharge point at the center. During operation, all the gas passages are in various stages of compression at all times, resulting in nearly continuous compression and discharge.



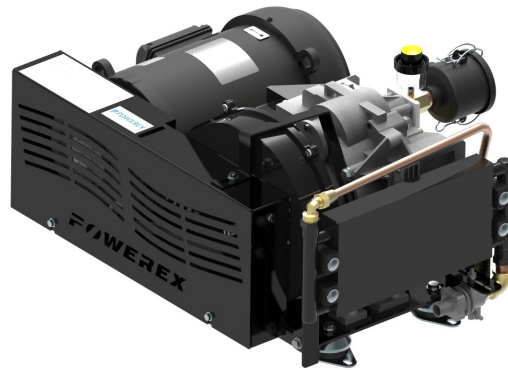
# Oil-less Scroll Basemount

## Oil-less Scroll Basemount Simplex

Model	HP	SCFM @ Max PSIG	Max PSIG	System Weight (lbs)
SBBSS030020SD09	3	8.7	115	170
SBBHS030020SD10	3	7.1	145	170
SBBSS050020SD08	5	14.5	115	170
SBBHS050000SD04	5	11.8	145	170

## Features & Benefits

- 100% oil-less scroll pump
- Low noise: 71 dB(A) at 1 meter
- Long life compression seals
- Rated for continuous operation
- Operating temperature range up to 140°F



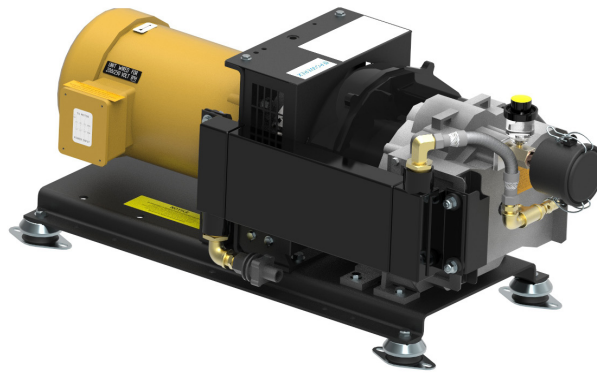
# Oil-less Scroll Direct Couple

## Oil-less Scroll Basemount Simplex

Model	HP	SCFM @ Max PSIG	Max PSIG	System Weight (lbs)
SDCSS050020SD07	5	16.1	115	170
SDCHS050020SD03	5	13.3	145	170

## Standard

- 100% oil-less scroll pump
- Low noise: 75 dB(A) at 1 meter
- Long life compression seals
- Rated for continuous operation
- Operating temperature range up to 140°F

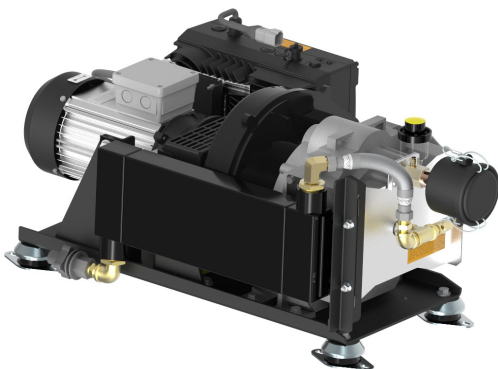


## Oil-less Scroll Basemount Simplex

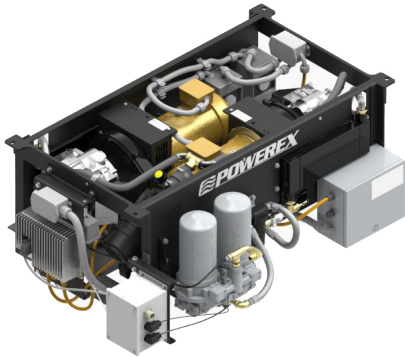
Model	HP	SCFM @ Max PSIG	Max PSIG	System Weight (lbs)
SDCSS0500J1SD13	5	16.1	115	150
SDCHS0500J1SD01	5	13.3	145	150

## Permanent Magnet AC

- Reduced footprint
- Light weight
- 93% motor efficiency
- Soft-start and shutdown procedures reduce noise and power consumption
- Control capabilities with integrated controller
- Operates on AC or DC power
- Configurable analog and discrete I/O
- Cold Package option expands operating temperature range down to -40°F. Operational up to 140°F.



# What Sets Us Apart



Powerex is a manufacturer of ISO 8573-1:2010 “Class Zero” oil-free compressed air systems using oil-less scroll and oil-free rotary tooth technology. We have led scroll technology since 1991 when we introduced the first completely oil-less scroll air compressor. Our technology and expertise in clean, dry air systems is unmatched, and our facilities are ISO 9001:2015 registered so you can be assured of the highest quality.

As a leading manufacturer of oil-less compressed air and vacuum systems for critical-process industrial applications such as transportation, we are committed to providing custom solutions to fit your needs. Our team is dedicated to working with you to provide:

- Best Product Value
  - We are not satisfied until YOU are satisfied!
- Quality Assurance
  - Each unit is fully tested & approved before shipment, to meet customer specifications
- Industry Lead Timing
  - Able to ship standard model designs as early as 3-4 weeks
- Extensive Research & Development
  - Thousands of hours dedicated to the improvement and efficiency of each model released

## Designing Custom Solutions

- Custom mounting configurations
- Relocation of..
  - Inverter (PMAC system only)
  - Air Filter
  - Aftercooler (as long as there is sufficient air flow for cooling)
  - Outlet Connection Point (can be oriented in different directions)



# POWEREX™

100 Mundy Memorial Drive • Mount Juliet, TN 37122 • USA  
T 1.888.769.7979 • F 513.367.3125 • [www.powerexinc.com](http://www.powerexinc.com)  
SL5994-BR-00 • 22 October 2020



**Designed &  
Manufactured  
in the USA**

with U.S. and Imported Components