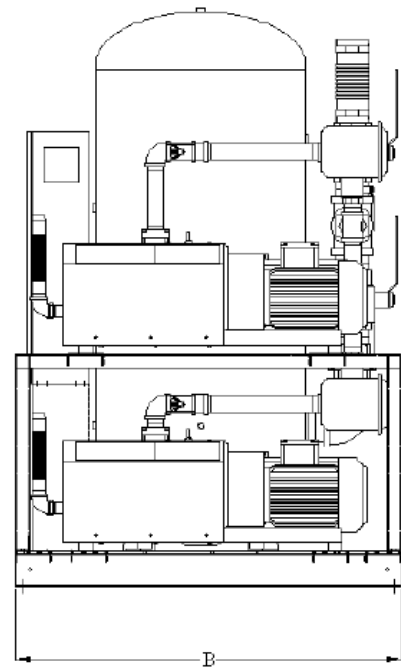
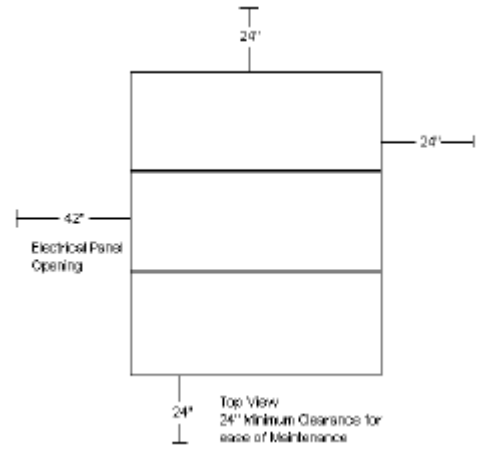
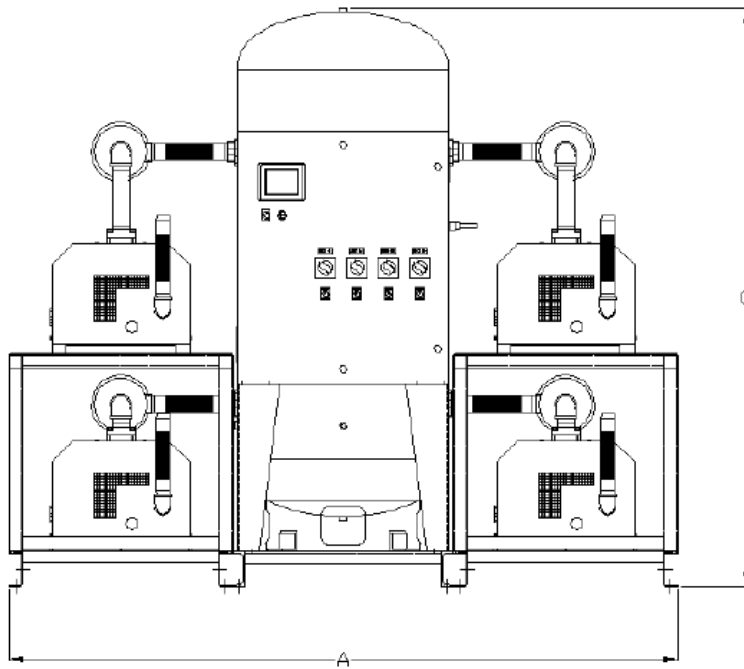


Dimensions					
Model	Dim. A	Dim. B	Dim. C	Inlet	Outlet (x2)
CVPT0505A-EX4	98"	55"	83"	3"	1"
CVPT0505B-EX4	98"	55"	83"	3"	1"
CVPT0755A-EX4	98"	55"	83"	3"	1"
CVPT0755B-EX4	98"	55"	83"	3"	1"
CVPT1005-EX4	98"	60"	83"	4"	2"

Note: All values and images shown are for fully expanded system.



Claw Vacuum Expandable Package with Premium Controls										
Model	HP	SCFM @ 19" Hg each	NFPA System Capacity <sup>(1)</sup>	Tank Size (gal)	BTU/Hr <sup>(2)</sup>	dB(A) Level <sup>(3)</sup>	System F.L.A.			System Weight (lbs)
							208V	230V	460V	
CVPT0505A-EX4	4 (4)	29	58 (87)	200	26,010	84	42	46.8	24.4	3,500
CVPT0505B-EX4	5 (4)	38	76 (114)	200	32,514	84	51.6	47.6	24.8	3,600
CVPT0755A-EX4	6.4 (4)	52	104 (156)	200	41,616	84	66	65.2	33.6	4,300
CVPT0755B-EX4	7.5 (4)	65	130 (195)	200	48,768	84	90	73.2	37.6	4,500
CVPT1005-EX4	10 (4)	87	174 (261)	200	65,025	87	110.8	96.4	49.2	4,900

- Notes:
- 1 – System Capacity is shown with one or more pumps in reserve per NFPA 99. Values are shown for triplex (quadplex) configuration.
  - 2 – BTU/Hr levels are shown with reserve pump(s) on standby.
  - 3 – dB(A) levels are shown with one pump in reserve per NFPA 99.
  - 4 – 3 Year Limited Warranty.