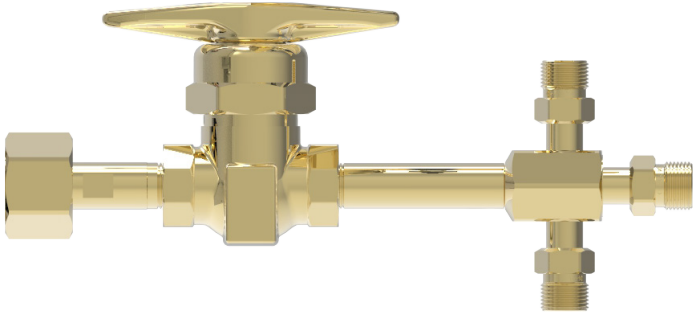


Features & Benefits

- Manifold outlet is 1"-11-½ NPSM RH-INT
- High quality brass master shut-off valve included
- Flexible 72" CGA specific pigtails ¾" ID urethane wrapped nylon lined, rated for 2,250 psi
- Wall mounting brackets included
- CGA specific check valve connections and gas tight cap & chains
- Cleaned for use with oxygen in accordance with CGA G4.1
- Tested and built in accordance with CGA and NFPA 99 guidelines
- Made in the U.S.A.



Ordering Information

HDR-LIQ-GG-NXN-72

Complete the part number using the codes below:

GG = Gas Type

NXN = Number of Ports

O2 = Oxygen

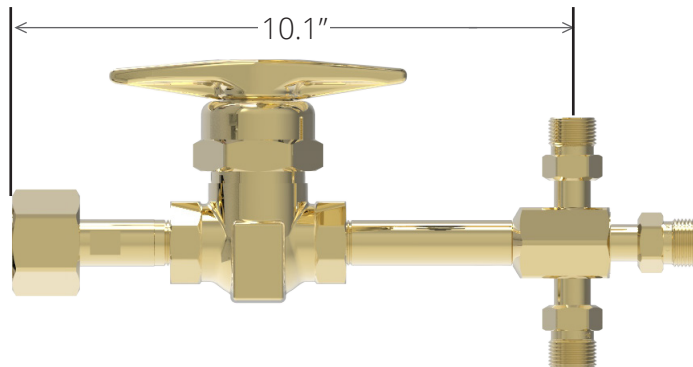
1X1 up to 3X3

N2O = Nitrous Oxide

N2 = Nitrogen

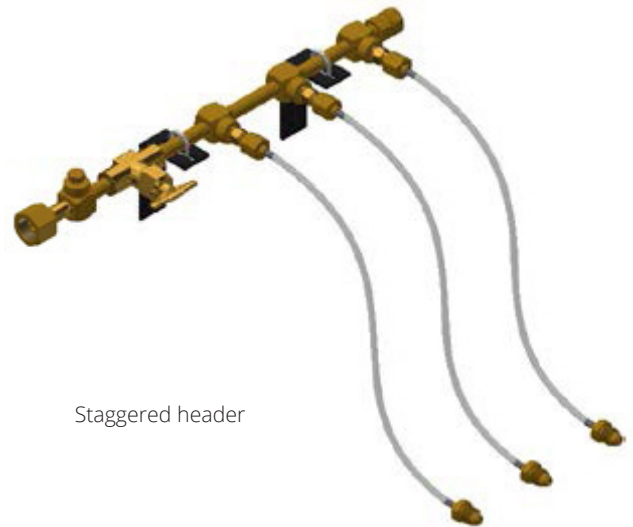
CO2 = Carbon Dioxide

Dimensions





Vertical header



Staggered header

Features & Benefits

- Manifold outlet is ½ MNPT
- High quality brass master shut-off valve included
- Oxygen models include rigid copper pigtails 36" single loop design
- Flexible stainless steel Teflon lined pigtails provided with all other gas services
- Staggered & vertical crossover headers include 24" and 36" flexible stainless steel pigtails
- Maximum pressure 3,000 psig
- Wall mounting brackets included
- Built to accommodate future expansion by adding optional header extensions
- Made in the U.S.A.

Emergency Reserve systems are designed for level I and level II installations requiring a permanent back-up or emergency reserve system. All systems are cleaned for use with oxygen in accordance with CGA G4.1, tested and built in accordance to Compressed Gas Association (CGA) and National Fire Protection Association (NFPA 99) guidelines.

Ambient Temperature Limits

Maximum Temperature: 130°F / 54.4°C

Minimum Temperature:

Nitrous Oxide: 20°F / -6°C

Carbon Dioxide: 20°F / -6°C

All other gases: 0°F / -17°C

NOTE: N2O and CO2 limits are due to diminishing vaporization rates and vapor pressures of cylinders at colder ambient temperatures. Other limits are based on elastomer manufacturers' working temperature limits.

Ordering Information

HDR-ERESV-TTTT-GG-N-36P

Complete the part number using the codes below:

TTTT = Header Type

STGD = Staggered

VERT = Vertical

GG = Gas Type

O2 = Oxygen

N2O = Nitrous Oxide

N2 = Nitrogen

CO2 = Carbon Dioxide

N = Number of Ports

2 up to 16 for staggered ports

2 up to 16 for vertical ports

(even number only)

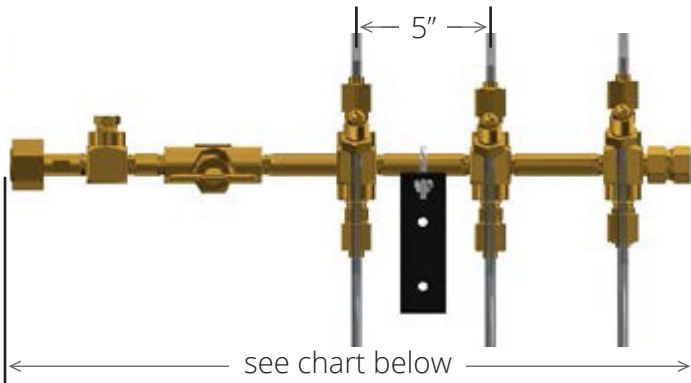
P = Pigtail Type

C = Copper

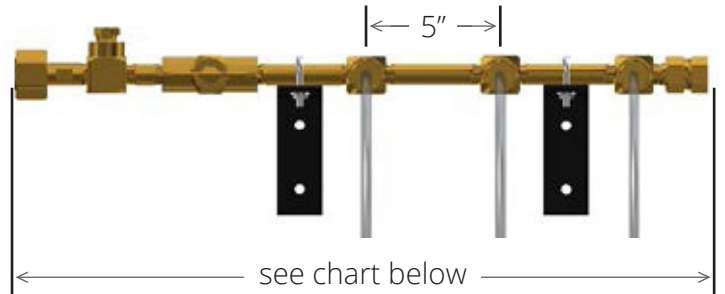
S = Stainless Steel

Dimensions

Vertical Headers



Staggered Headers



| Header Type | Header Length per Number of Ports | | | | | | | | | | | | | | |
|-------------|-----------------------------------|-----|-----|-----|-----|-----|-----|-----|-----|-----|-----|-----|-----|-----|------|
| | 2 | 3 | 4 | 5 | 6 | 7 | 8 | 9 | 10 | 11 | 12 | 13 | 14 | 15 | 16 |
| Vertical | 21" | - | 26" | - | 31" | - | 36" | - | 41" | - | 46" | - | 51" | - | 56" |
| Staggered | 34" | 39" | 44" | 49" | 54" | 59" | 64" | 69" | 74" | 79" | 84" | 89" | 94" | 99" | 104" |