

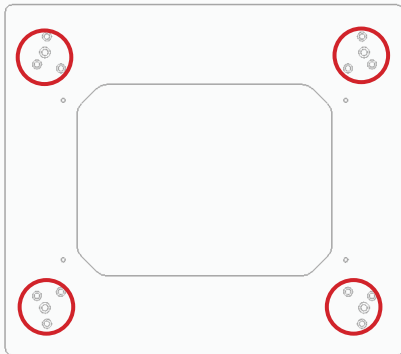
Install Instructions

Nitrogen Control Panel Conversion Kit for Chemetron Back Box

Compatible with 5/16 or 3/8 tube male compression fittings on risers

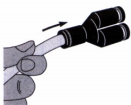
CAUTION: Shut off the supply of nitrogen control panel to be converted before proceeding.

1. Remove the original Nitrogen Control Panel front.
2. Disconnect the Nitrogen supply line and Nitrogen outlet line at the swivel compression nut.
3. Select the appropriate size compression riser adaptor assembly and insert tube into one of the existing riser compression fittings. Tighten the compression nut securely. Repeat for other riser. Tighten the compression nuts securely. Attached adapter fittings for 1/4" tubing to compression fittings.
4. Install the sub-plate with the large cutout to the original back box using the #6 x 1 inch flat head screws in the appropriate holes (circled holes will align with existing rough in). Screw heads should be flush with panel.



5. The tubing provided in this panel should be connected and disconnected by hand – without the use of tools. **Note:** Wash your hands before handling these connections to ensure that oil, grease, dirt etc. do not contaminate the fittings possibly causing leakage and introducing impurities into the medical gas system.

to connect **to disconnect**

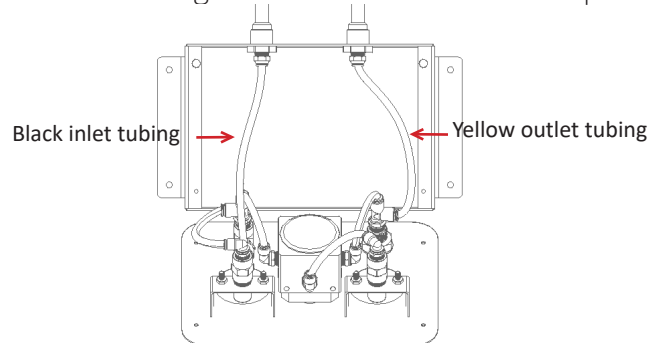


Simply push the tubing until it can go no further. Holding and sealing is accomplished instantaneously.



First depress the manual release button, then pull the tubing out of the fitting.

6. While holding the new Nitrogen Control Panel, push the black tubing firmly into the Nitrogen supply line fitting and the yellow tubing firmly into the Nitrogen outlet line fitting. Pull on tubing to ensure it is locked in place.



7. Secure the new Nitrogen Control Panel to the sub-plate with the four short #6 pan head screws in the positions shown below.

