

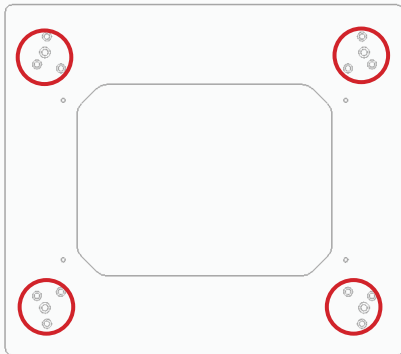
Install Instructions

Nitrogen Control Panel Conversion Kit for Squire Cogswell Back Box

Compatible with 3/8 female NPT risers

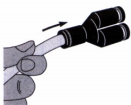
CAUTION: Shut off the supply of nitrogen control panel to be converted before proceeding.

1. Remove the original Nitrogen Control Panel front.
2. Disconnect the Nitrogen supply line and Nitrogen outlet line at the 3/8 NPT joint..
3. Clean the female 3/8 NPT threads on the risers and apply teflon tape or other suitable pipe thread sealing compound to the pipe threads of the two brass adaptor assemblies supplied. Install the two brass adaptor assemblies that mate to the original Nitrogen supply riser and Nitrogen outlet riser. Tighten the pipe thread joint securely.
4. Install the sub-plate with the large cutout to the original back box using the #6 x 1 inch or #8 X 1 inch flat head screws in the appropriate holes (circled holes will align with existing rough in). Screw heads should be flush with panel.



5. The tubing provided in this panel should be connected and disconnected by hand – without the use of tools. **Note:** Wash your hands before handling these connections to ensure that oil, grease, dirt etc. do not contaminate the fittings possibly causing leakage and introducing impurities into the medical gas system.

to connect **to disconnect**

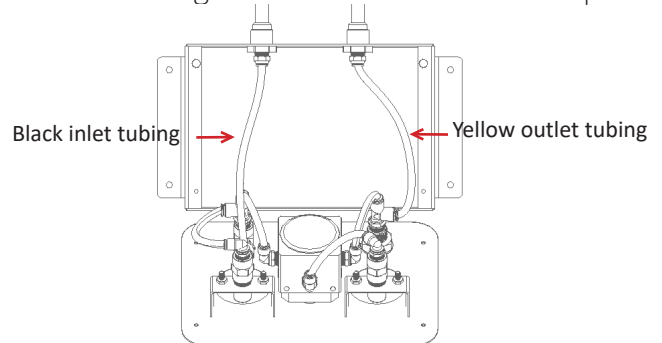


Simply push the tubing until it can go no further. Holding and sealing is accomplished instantaneously.



First depress the manual release button, then pull the tubing out of the fitting.

6. While holding the new Nitrogen Control Panel, push the black tubing firmly into the Nitrogen supply line fitting and the yellow tubing firmly into the Nitrogen outlet line fitting. Pull on tubing to ensure it is locked in place.



7. Secure the new Nitrogen Control Panel to the sub-plate with the four short #6 pan head screws in the positions shown below.

