

Features & Benefits

- Durable, easy to clean type 304 stainless steel front.
- Self relieving 0-250 psi pressure regulator.
- High flow capacity.
- Front Loaded (fast & easy to repair).
- DISS Outlet.
- High quality ball valve.
- Easy to read 2" 0-300 psi gauges.
- Easy to install
- Outlet supply tube facilitates piping to additional remote outlets.

Specifications

All gas control panel retrofit kits must be installed and tested in strict accordance with NFPA 99 standards and or other local codes before use.

Powerex nitrogen control panel conversion kits are designed to update or retrofit existing panels by several major brands. The conversion kit replaces all fo the major components (vavle, regulator, gauges, outlet , stainless steel cover plate and all connecting tubing & fittings), utilizing the existing back box and riser tubes.

The gas panel retrofit kit shall include a high flow self-relieving pressure regulator capable of providing pressures up to 250 psi. A quarter turn brass, ball type valve shall be used to supply pressure to the regulator. Two 0-300 psi 2" diameter pressure gauges shall be provided to monitor both supply and outlet pressure. Panel shall also include a front loaded CGA DISS 1120 gas outlet.

The gas control panel shall be factory piped and 100% tested. All components shall be panel mounted on a stainless steel, silk-screened front panel.

NFPA – (National Fire Protection Association Pamphlet 99" Health Care Facilities") compliant.

CGA – (Compressed Gas Association Pamphlet V-5 "Diameter Index Safety System") compliant.

Options

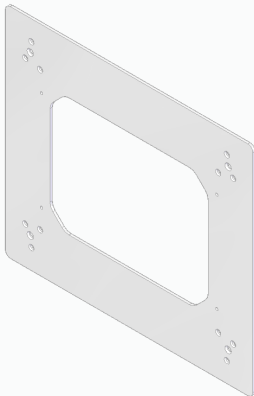
- Available with 1/4 female NPT outlet connection
- Conversion kits available for Hill Rom, Ohmeda, Medas, Allied/Chemetron, Oxequip and Puritan Bennett Nitrogen Control Panels.



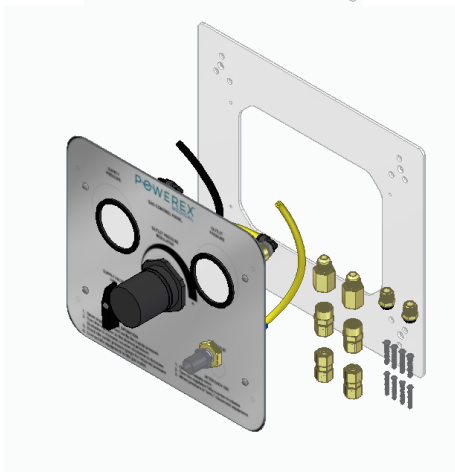
Dimensions



Stainless steel front plate is 11" Wide X 9.5" Tall. The assembled depth (into the existing back box) is less than 4".



A 12.5" Wide X 11" Tall matte white powder coated steel mounting plate is provide to allow installation of the front to many existing back boxes.



Hardware to connect the conversion kit to the existing risers is included.

Part Number	Description
GCPR-N210	Converts a Medaes back box with 37 degree JIC flare swivel nut or with a 45 degree SAE flare male body on the risers. Riser thread is 9/16 – 18 female thread 3/8 OD tube fitting or 7/16 – 20 male thread 5/16 OD tube fitting
GCPR-N220	Converts a Chemetron back box with 5/16 OD copper tube compression fittings on the risers
GCPR-N230	Converts an Oxequip back box with 1/4 OD plastic tube fittings on the risers, or Converts a Powerex (old style) back box (aluminum) with 1/4 OD plastic tube fittings on the risers
GCPR-N240	Converts a Ohio Medical (Squire Cogswell) back box with 3/8 OD copper tube compression fittings on the risers